

VACUUM PUMP SYSTEM LABOPORT® SH 840 G



Technical features

- Vacuum system comprising chemically resistant diaphragm vacuum pump, base plate, separator flask on suction side and high-performance condenser on pressure side
- Modular expandable
- 100% oil-free transfer – thereby pure transferring, evacuation and compression of gases
- High level of vapor and condensate compatibility
- Ideal for extremely aggressive / corrosive gases and vapors
- Integrated gas ballast valve
- 3-color status display for in operation / stand-by / error
- Integrated rotational speed control
- Environmentally friendly
- Start against ultimate vacuum of the pump

Technical data

Flow rate [m ³ /h] at atm. pressure	2.04
Flow rate [l/min] at atm. pressure	34
Ultimate vacuum [mbar abs.]	6.0
Operating pressure [bar]	0.1
Voltage [V]	100 – 240
Frequencies [Hz]	50/60
Protection class	IP30
Power P _i [W]	100
Operating current [A]	0.6 (240 V AC) 1.0 (100 V AC)
With thermal switch and power fuse	

MATERIALS

Pump head	TFM™ PTFE
Diaphragm	PTFE-coated
Valves	FFPM

OTHER DATA

Weight [kg]	14.1
Hose connections	Inlet: For hose ID 8 – 9,5 Outlet: For hose ID 10
Dimensions W x H x D [mm]	340 x 416 x 274
Permissible media and ambient temperature [°C]	+5 to +40

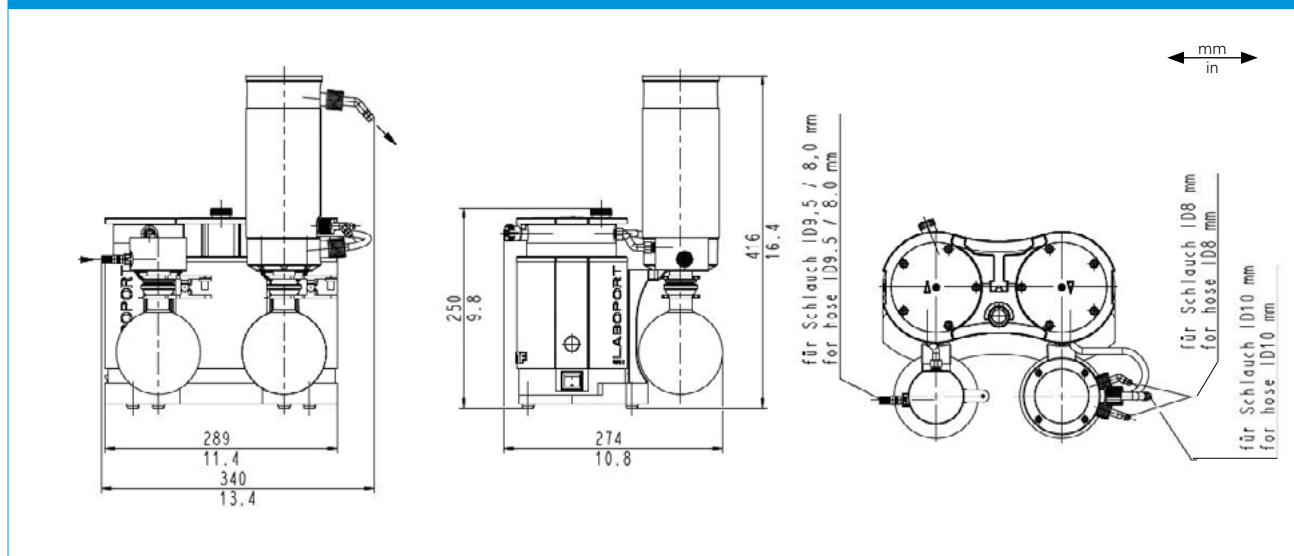
SPARE PARTS

	ID
Spare parts kit pump N 840 G	331052
Spare parts kit System*	331055

*Includes spare parts kit ID 331052 + additional O-Rings for a service of the complete system

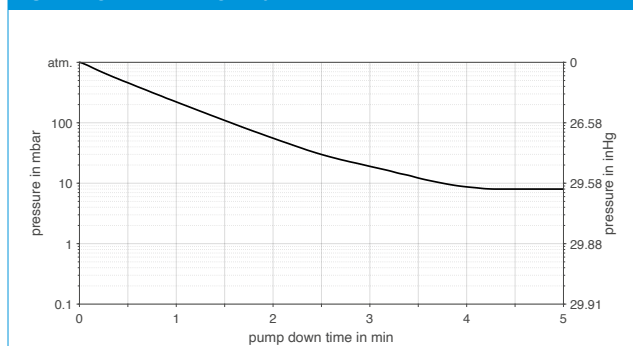
Dimensions

SH 840 G

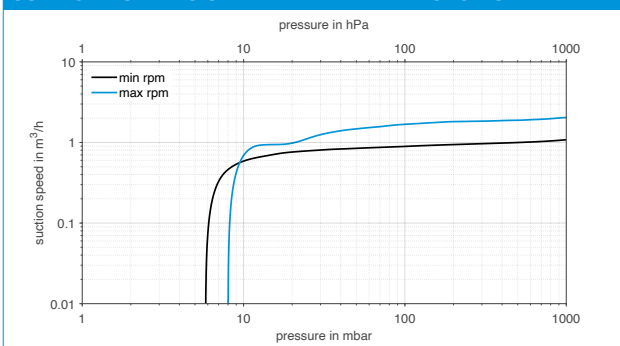


Performance Characteristics

PUMP DOWN TIME FOR 20 LITER RECEIVER



SUCTION PUMPING SPEED AT MIN./MAX. MOTOR SPEED



ACCESSORIES	ID
Separator flask	047729
High performance condenser with pressure relief valve	114855
Hose connector with O-ring (FPM)	323609
Hose connector PP (for hose ID 10)	026237
Screw connection cap red, GL 18 (for hose connector ID 026237)	025980
Hose connector PP (for hose ID 8)	025981
Screw connection cap red, GL 14 (for hose connector ID 025981)	025982

Key for hose connector	316279
Hose-BGR for Separator flask (1x for SH 840 G)	323095
Hose BGR for high performance condenser (1x for SH 840 G)	317157
Hose connector Y-piece - ID10	026432

Modular expandable
From basic pump to system

