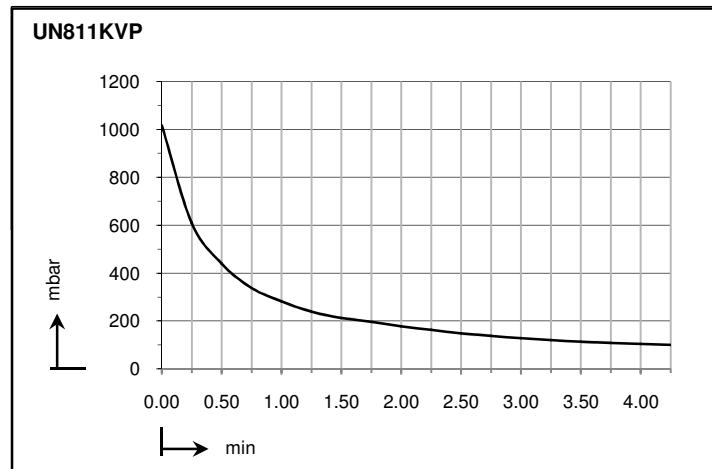


Diaphragm Pumps for Air, Gases and Vapors

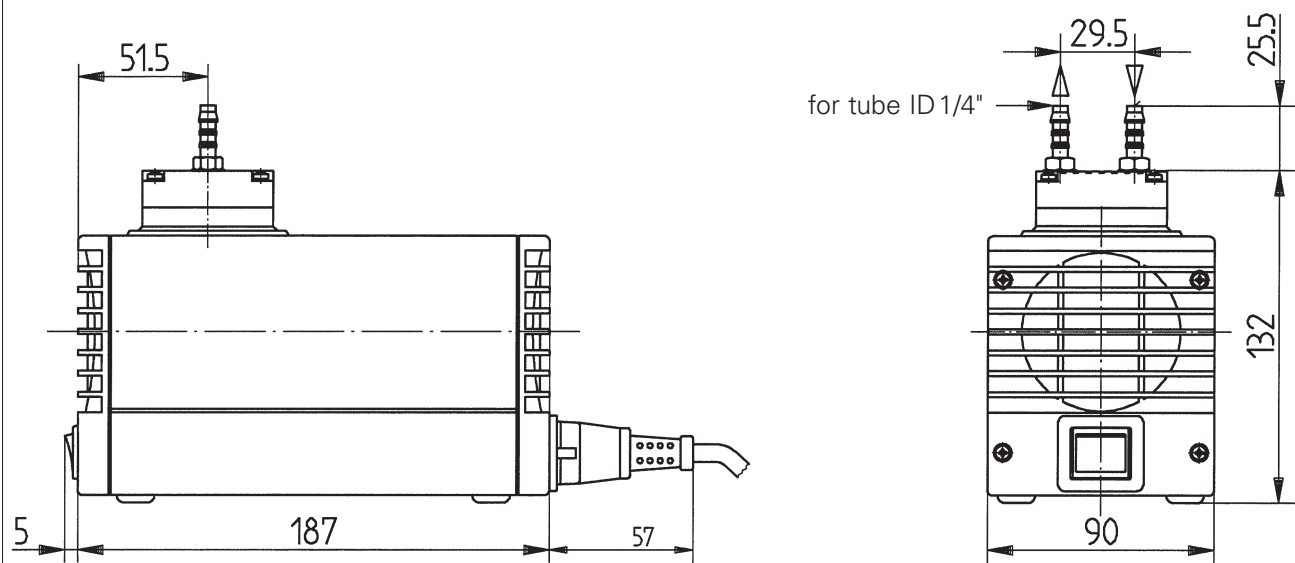


Pump down time for 5L receiver



Dimensions (mm)

For models with .45 (vacuum) gauge package, add approx. 60 mm to height shown.



Accessories and spare parts

Description	N 811 KV.45P		N 811 KVP	
	Details	Order No.	Details	Order No.
Silencer	G 1/8	000345	1/8 NPT	072233
Filter		000346		
Hose Connector	G 1/8, PVDF, AD 6mm	014052	1/8 MPTM, 1/4 HID	072235
Fine control valve with pressure gauge	pressure side	on request	pressure side	on request
Fine control valve with vacuum gauge	suction side	on request	suction side	on request
Spares Kit	Diaphragm, Valveplates	074178	Diaphragm, Valveplates	074178