

SECTION 203.00



UFDV valves shown with locking set screw and control knob.

Type: UFDV 30, UFDV 1.30 UFDV 31, UFDV 1.31

Adjustable-Diaphragm Pressure Control Valve

for use with **KNF Air, Gas & Liquid Pumps**
Corrosion-Resistant Materials

Maximum Flow with Liquids: 3 liters/min. (50 GPH)
Maximum Flow with Air: 150 Nliters/minute (5.2 SCFM)
Pressure Ranges: UFDV 30/31 3 - 36 psig
UFDV 1.30/1.31 30 - 95 psig

Description

The UFDV accessory valve is a diaphragm pressure control device. The selected pressure is adjustable, and applied via a spring-loaded diaphragm. The valves are available in a variety of materials and with a locking set-screw or control knob.

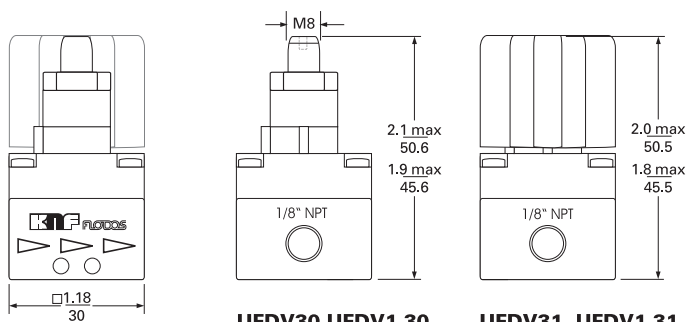
Features

- **Smooth, Adjustable Pressure Control** within their range. The valves should always be installed at the pressure side of the pump.
- **Integrate with a KNF pump** – These valves are designed to operate with the KNF liquid pumps and can be mounted directly onto the head of models NF30 and NF1.30 liquid pumps and NMP30 air and gas pumps. They handle air and gas up to a flow of 150 Nliters/minute. Mount these valves in any position within your equipment without affecting performance.
- **Variety of Functions** – When located at the discharge port of a pump, they can serve to prevent backflow, they can also produce a constant back pressure or used to more accurately control flow against a fluctuating system back pressure.
- **System Protection** – They can provide protection for pump, motor and system by transferring excess pressure build-up back to the inlet port or to a storage reservoir as an off-loading valve.
- **Variety of Wetted Materials** – These valves are available in material combinations of PVDF, FFPM, polypropylene, Viton® and EPDM, among others, for use with corrosive or neutral media.

Applications

- Pressure Relief System
- Bypass Pressure Control
- Replace Costly Stainless Steel Valves
- Condensate Pumping Systems
- Probe Wash Systems
- Gas Chromatography

Dimensional



UFDV30 UFDV1.30 UFDV31, UFDV1.31

Certified drawings available upon request.

Environmental

Max. Ambient Temp. +80°C (176°F)
Max. Medium Temp. +80°C (176°F)
Net Weight 60 grams (2.1 oz.)
Factory Set Pressures:
UFDV30 7 psig (0.5 bar)
UFDV1.30 43 psig (3 bar)
Ports: 1/8" NPT standard, G1/8" available

KNF NEUBERGER, INC.

Two Black Forest Road
Trenton, NJ 08691-1810
609/890-8600 • Fax: 609/890-8323
www.knf.com/usa.htm