

Accessory

Simdos® / Liquiport® / Stepdos®

For transfer and dosing pumps



Simdos®

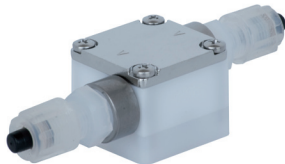
Spare heads



Code	Head	Diaphragm	Valves	Ident number
FEM 1.10 KT	PP	PTFE covered	FFKM	160 187



Code	Head	Diaphragm	Valves	Ident number
FEM 1.10 TT	PVDF	PTFE covered	FFKM	160 188



Code	Head	Diaphragm	Valves	Ident number
FEM 1.10 FT	PTFE	PTFE covered	FFKM	160 189

Stepdos®

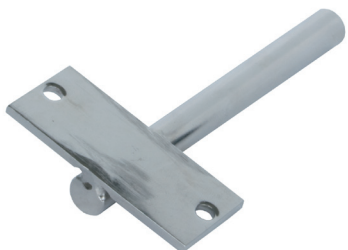
Footswitch for Stepdos®



Description	Ident number
Footswitch	069 875

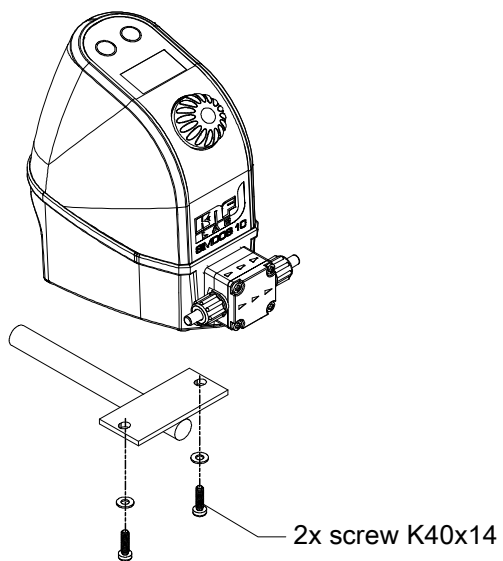
Simdos® / Liquiport®

Standfitting for Simdos® and Liquiport®

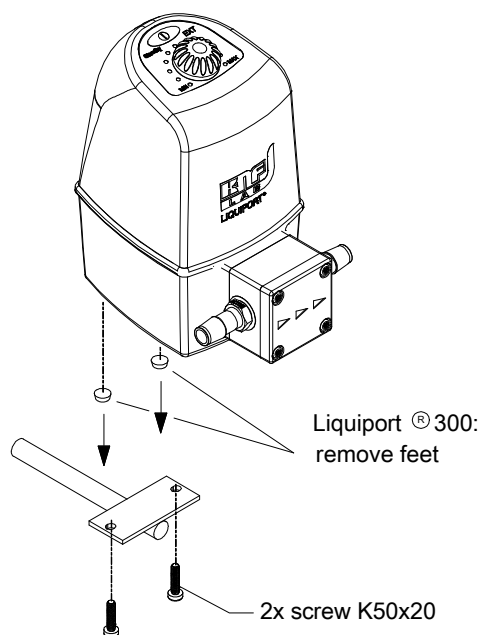


Description	Ident number
Standfitting	160 474

Standfitting Simdos® 10



Standfitting Liquiport® 100 / 300



Footswitcher for Simdos® und Liquiport®



Description	Ident number
Footswitch	155 872

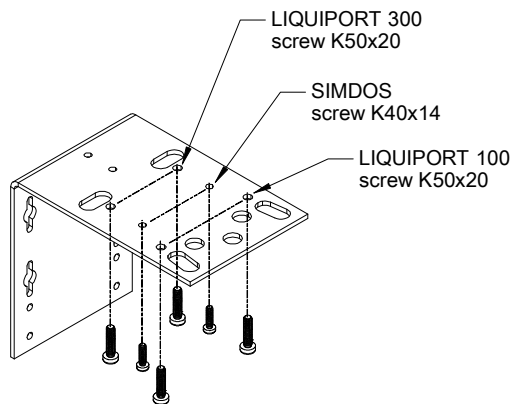
Simdos® / Liquiport®

Mounting plate for Simdos® und Liquiport®

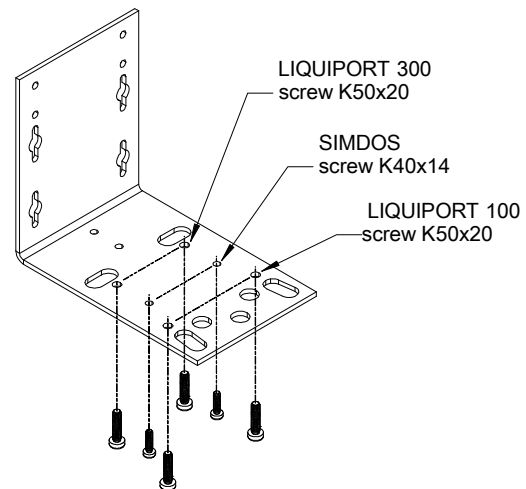


Description	Ident number
Mounting plate includes two packing units <ul style="list-style-type: none"> • lower and upper part 	160 473

Wall fastening above for 1 pump



Wall fastening below for 1 pump



Desk mounting for 2 pumps

