



NEUBERGER, INC.

Technical Data Sheet TD 009

Diaphragm Vacuum Pumps and Compressors

N 010 -- **P** portable models / **I** installation models

Flow capacity: 0.47 s.c.f.m. ~ 13.3 std L/min
 Max. Vacuum: 22.8 in. Hg
 Max. Pressure: 28 psig (continuous)



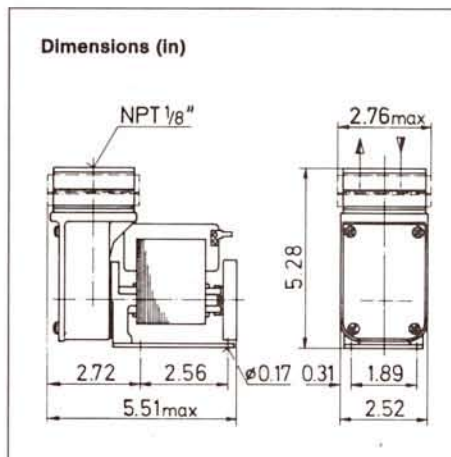
N 010 KNP
 Portable Versions Listed under Listing Program of Underwriters Laboratories, Inc.



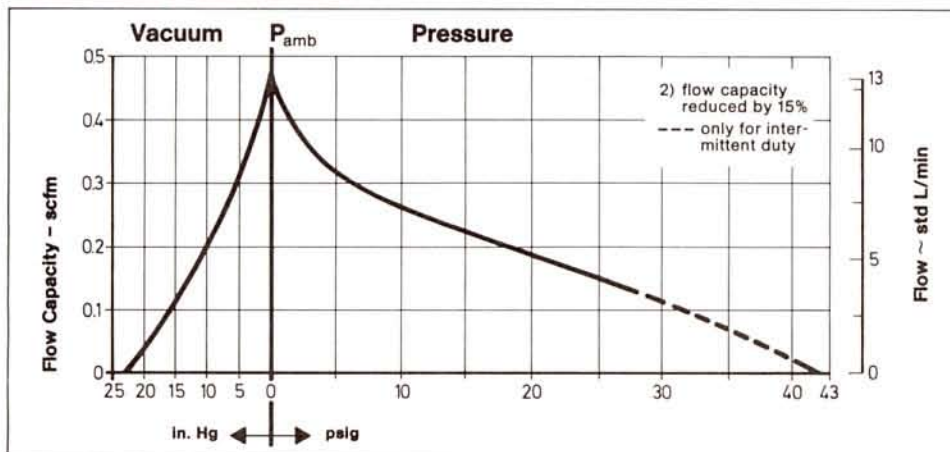
N 010 KNI
 Installation Versions Recognized under the Component Program of Underwriters Laboratories, Inc.

KNF Features

- 100% oil-free operation,
- contamination-free pumping of air, gas or vapor,
- low noise operation,
- minimum vibration,
- corrosion-resistant versions – see KNF Type-Chart
- oversized bearings for long life
- trouble-free operation in any position
- diaphragm and valve plate changed easily in just minutes
- can be used as compressor or vacuum pump
- gastight versions – specially tested at extra charge



Performance Characteristics



Pump Materials:

N 010 KN	Hostalen/Neoprene (Standard model)
Corrosion resistant models per Type-Chart:	
N 010 AN	Aluminum/Neoprene
N 010 AV	Aluminum/Viton
N 010 AT ²⁾	Aluminum/Teflon
N 010 KV	Hostalen/Viton
N 010 SN	Stainless Steel/Neoprene
N 010 SV	Stainless Steel/Viton
N 010 ST ²⁾	Stainless Steel/Teflon
N 010 HN	Hastelloy/Neoprene
N 010 HV	Hastelloy/Viton
N 010 HT ²⁾	Hastelloy/Teflon

Technical Data:

Max. ambient operating temperature 105 °F (40 °C).
 115 V, 60 Hz shaded pole electric motor (std.).
 Current draw at max. load 1.2 amps (other options available).
 Weight: 6.6 lb (N 010 KNP),
 4.4 lb (N 010 KN).

Accessories:

- Filter/Muffler
- Hose connector
- Manual control valve with pressure gauge only for AN, AV, AT
- Manual control valve with vacuum gauge only for AN, AV, AT
- Control valve can be mounted on vacuum or pressure side but not both.

