

UN022ANI and UN022STI models shown.

## Type: UN022

# Diaphragm Vacuum Pump & Compressor

### Single Stage OEM Installation Model with AC Motor

Free-Flow Capacity: 19 liters/minute (0.67 SCFM)  
Maximum End Vacuum: 26.9 in. Hg  
Maximum Continuous Pressure: 58 psig (36 psig for AV, SV)

#### Description

The N022 pump is an economical, proven reliable design that is available in a variety of configurations. Suitable for use as a vacuum pump or compressor, it features a high-pressure continuous performance rating that is higher than most other diaphragm pumps.

#### Pump Features

- **Completely wired for OEM installation** - The pump is completely wired for installation saving valuable assembly time. The start capacitor is mounted directly on the pump.
- **Flexible Design** - KNF's engineers combine high performance with a small physical package to produce an efficient, compact standard unit. In addition, with KNF's Project Pump program, we can suggest a variety of inexpensive modifications to meet your OEM design requirements. This pump is also available with a variety of speed-controlled brushless DC motors on a Project Pump basis for low EMI/RFI, long life, or portable applications.
- **Gas-tight option available** - The AN, AV, SN and SV versions are available in a gas-tight version to  $6 \times 10^{-3}$  mbar lit/sec. (Nekal test with air).
- **Oil-Free, Contamination-Free Transfer** retains pumped medium purity and increases system reliability, as there are no sliding seals to wear away.
- **Sturdy Design** - The enclosed compressor housing reduces noise transmission and keeps dirt away from critical components. The pump is quiet and smooth running. The heavy-duty motor is equipped with oversized ball bearings to assure a long-life, and quiet, trouble-free operation. The pump can be mounted in any position and is maintenance-free.
- **Variety of Accessories** - Available accessories include noise & dust filters, hose connectors and shock mounts. It is also available in a portable version for benchtop use.

#### Applications

- Pneumatic Air Supply
- Medical Therapeutic Devices
- Automatic Sampling Systems
- Air/Gas Samplers
- Medical Diagnostic Equipment
- Portable Analytical Instruments
- Large Pick & Place Devices
- Gas Chromatography
- Organic Vapor Analyzers
- Sample Probe Wash Applications
- Air Quality Monitors
- Residual Gas Analyzers

## KNF Performance Specifications

Model Number	UN022ANI	UN022SNI	UN022AVI	UN022SVI	UN022ATI	UN022STI
Maximum Flow	19 lit./min. (0.67 SCFM)		19 lit./min. (0.67 SCFM)		16.2 lit./min. (0.6 SCFM)	
Maximum Vacuum	26.9 in. Hg		26.9 in. Hg		26.9 in. Hg	
Maximum Continuous Pressure	58 psig		36 psig		58 psig	

## Electrical

Motor Voltage & Frequency	115 V (60 Hz) or 230 V (50 Hz)		115 V (60 Hz) or 230 V (50 Hz)		115 V (60 Hz) or 230 V (50 Hz)	
Full Load Amps Motor Current	1.2 A	1.0 A	1.2 A	1.0 A	1.2 A	1.0 A
Motor Type	Split-Capacitor AC		Split-Capacitor AC		Split-Capacitor AC	
Motor Protection	Thermal Reset (IP 20)		Thermal Reset (IP 20)		Thermal Reset (IP 20)	

## Environmental

Maximum Ambient Temperature	40°C / 105°F		40°C / 105°F		40°C / 105°F	
Maximum Medium Temperature	40°C / 105°F		40°C / 105°F		40°C / 105°F	
Net Weight	3.5 kg / 7.7 lb	5 kg / 11 lb	3.5 kg / 7.7 lb	5 kg / 11 lb	3.5 kg / 7.7 lb	5 kg / 11 lb

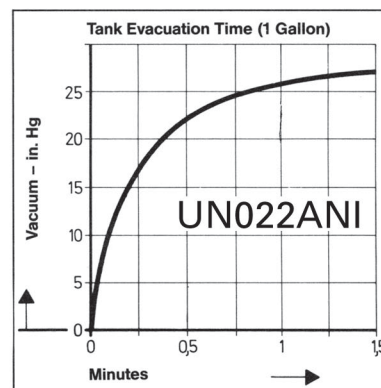
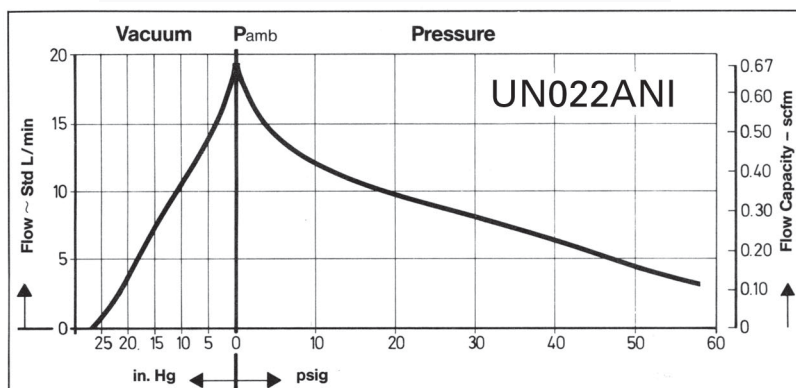
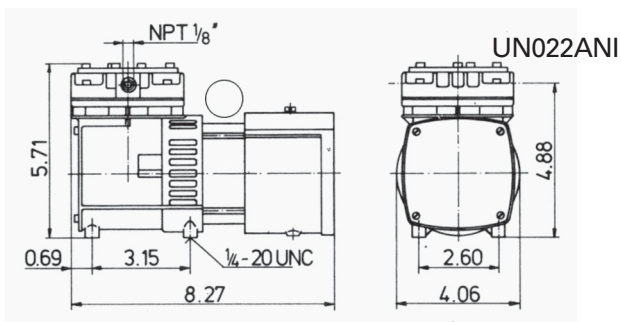
## Materials of Construction

Type	Head	Diaphragm	Valves
UN022ANI	Aluminum	Neoprene	Stainless Steel
UN022ATI	Aluminum	PTFE	Stainless Steel
UN022AVI	Aluminum	FPM	Stainless Steel
UN022SNI	Stainless Steel	Neoprene	Neoprene
UN022STI	Stainless Steel	PTFE	Stainless Steel
UN022SVI	Stainless Steel	FPM	FPM

**Notes:** Standard continuous performance ratings are based on technical data and test results of nominal units at sea level with an ambient temperature of 70° F (21° C) and nominal electrical supply are listed above. Dimensions and performance characteristics given are for reference only. Higher performance models, cost efficient OEM modifications, a wide variety of motor options including BLDC and different materials of construction are available. Specifications subject to change without notice.

**Accessories & Options:** Hose Connectors, Noise & Dust Filters, Shock Mounts, Gastight, Brushless DC Motor.

## Performance Characteristics/Outline Dimensions:



## KNF NEUBERGER, INC.

Two Black Forest Road  
Trenton, New Jersey 08691-1810  
Phone: 609-890-8600 · Fax: 609-890-8323  
Web: <http://www.knf.com>

