

KNF NEUBERGER, INC. • Two Black Forest Road • Trenton, NJ 08691-1810
609-890-8600 • Fax 609-890-8323 • www.knf.com/usa.htm

Twin Diaphragm Vacuum Pumps N 026.1 -- N 026.3 --

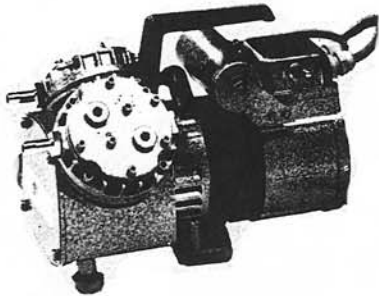
P portable models / **I** installation models

	N 026.1 AN	N 026.3 AN
Flow Capacity :	1,62 scfm 46 Std l/min	0,918 scfm 26 Std l/min
Max. Vacuum :	26,9 in. Hg	29,33 in. Hg

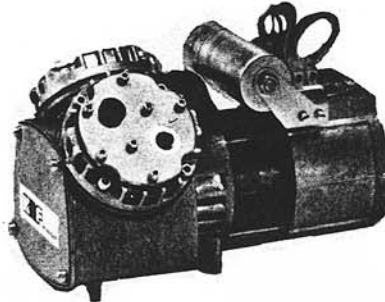
.1 heads in parallel
.3 2-stage

Pump Materials :

N 026.1 AN	} Aluminium / Neoprene (Standard model)
N 026.3 AN	
N 026 _ AV	Aluminium / Viton
N 026 _ AT ²⁾	Aluminium / Teflon
N 026 _ SN	Stainless Steel / Neoprene
N 026 _ SV	Stainless Steel / Viton
N 026 _ ST ²⁾	Stainless Steel / Teflon
N 026 _ HN	Hastelloy / Neoprene
N 026 _ HV	Hastelloy / Viton
N 026 _ HT ²⁾	Hastelloy / Teflon
N 026 _ CV	PPH / Viton



N 026.3 -- P

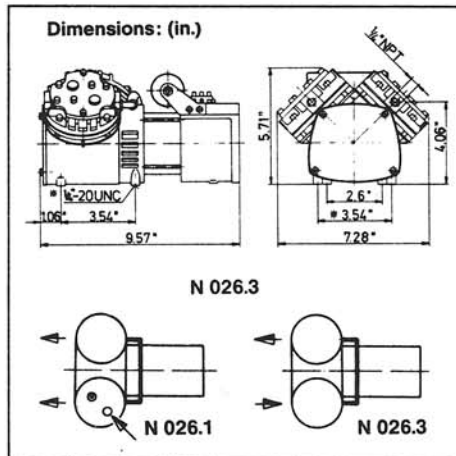


N 026.1 -- I

N 026 -- .9 Specially gastight
ca. $6 \cdot 10^{-3}$ mbar l/s (Nekal test with air)
in version AN / AV / SN / SV / HN / HV.

KNF-Features

- 100% oil-free operation
- Contamination-free pumping of air, gas, or vapour
- Low noise operation
- Minimum vibration
- Corrosion-resistant versions – see KNF Type-Chart
- Oversized bearings for long life
- Trouble-free operation in any position
- Diaphragm and valve plate changed easily in just minutes



Technical Data :

Max. ambient operating temperature 105°F (40°C)
115 V, 60 Hz, 150 W permanent split capacitor motor (std.)
Current draw at max. Load: 1,5 amps
Protection classification IP 20
Motor for other voltages & frequencies available on request
Weight : portable models = 13,9 Lbs
 installation models = 12,6 Lbs

Accessories :

Filter / Muffler A 35.010
Hose connector A 35.001
Manual control valve with pressure or vacuum gauge

Performance Characteristics

