



UN026ANI and UN026STI models shown.

Type: UN026, UN026.1.2

Diaphragm Vacuum Pump & Compressor

Single Stage & Parallel Head OEM Installation Model with AC Motor

Free-Flow Capacity: 25 & 46 liters/minute
Maximum End Vacuum: 26.9 in. Hg
Maximum Continuous Pressure: 36 psig

Description

The N026 pumps are economical, proven reliable designs that are available in a variety of configurations. Designed for use as a compressor, they feature a high-pressure continuous performance rating. For improved vacuum performance, consider the model N726 series, designed to generate levels to 29.9 in Hg in this size range.

Pump Features

- **Completely wired for OEM installation** - The pump is completely wired for installation saving valuable assembly time. The start capacitor is mounted directly on the pump.
- **Flexible Design** - KNF's engineers combine high performance with a small physical package to produce an efficient, compact standard unit. In addition, with KNF's Project Pump program, we can suggest a variety of inexpensive modifications to meet your OEM design requirements. This pump is also available with a variety of speed-controlled brushless DC motors on a Project Pump basis for low EMI/RFI, long life, or portable applications.
- **Gas-tight option available** - The AN, AV, SN and SV versions are available in a gas-tight version to 6×10^{-3} mbar lit/sec. (Nekal test with air).
- **Oil-Free, Contamination-Free Transfer** retains pumped medium purity and increases system reliability, as there are no sliding seals to wear away.
- **Sturdy Design** - The enclosed compressor housing reduces noise transmission and keeps dirt away from critical components. The pump is quiet and smooth running. The heavy-duty motor is equipped with oversized ball bearings to assure a long-life, and quiet, trouble-free operation. The pump can be mounted in any position and is maintenance-free.
- **Variety of Accessories** - Available accessories include noise & dust filters, hose connectors and shock mounts. The N026 is also available in a portable version for benchtop use.

Applications

- Pneumatic Air Supply
- Medical Therapeutic Devices
- Automatic Sampling Systems
- Air/Gas Samplers
- Medical Diagnostic Equipment
- Portable Analytical Instruments
- Large Pick & Place Devices
- Gas Chromatography
- Organic Vapor Analyzers
- Sample Probe Wash Applications
- Air Quality Monitors
- Residual Gas Analyzers

KNF Performance Specifications

Model Number	UN026ANI	UN026SNI	UN026ATI	UN026STI	UN026.1.2ANI	UN026.1.2ATI	UN026.1.2SNI	UN026.1.2STI
	UN026AVI	UN026SVI			UN026.1.2AVI		UN026.1.2SVI	
Head Config.	Single		Single	Single	Parallel	Parallel	Parallel	Parallel
Max. Flow	25 lit./min.		21.3 lit./min.	20 lit./min.	46 lit./min.	36.8 lit./min.	46 lit./min.	36.8 lit./min.
Max. Flow	0.9 SCFM		0.75 SCFM	0.7 SCFM	1.6 SCFM	1.0 SCFM	1.6 SCFM	1.0 SCFM
Max. Vacuum	26.9 in. Hg		26.9 in. Hg	26.9 in. Hg	26.9 in. Hg	26.9 in. Hg	26.9 in. Hg	26.9 in. Hg
Max. Cont. Press.	36 psig		36 psig	36 psig	28 psig	28 psig	28 psig	28 psig
Net Weight	7.7 lb.	10 lb.	7.7 lb.	10 lb.	12.5 lb.	12.5 lb.	18 lb.	18 lb.

Electrical

Motor Volts & Frequency	115 V (60 Hz) or 230 V (50 Hz)	115 V (60 Hz) or 230 V (50 Hz)
Full Load Power	80 W	150 W
Motor Type	Split-Capacitor AC	Split-Capacitor AC
Motor Protection	Thermal Reset (IP 20)	Thermal Reset (IP 20)

Environmental

Max. Ambient Temp.	40°C / 105°F	40°C / 105°F
Max. Medium Temp.	40°C / 105°F	40°C / 105°F

Materials of Construction

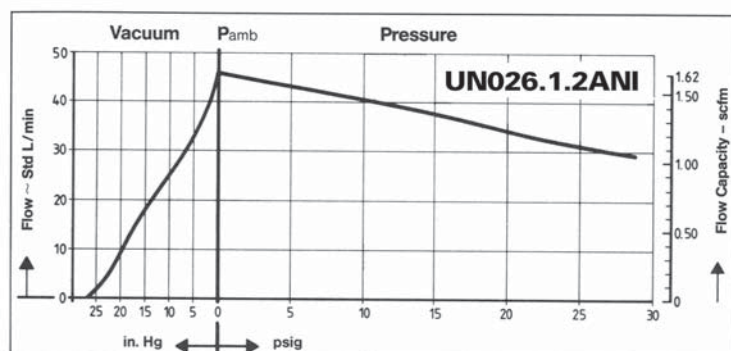
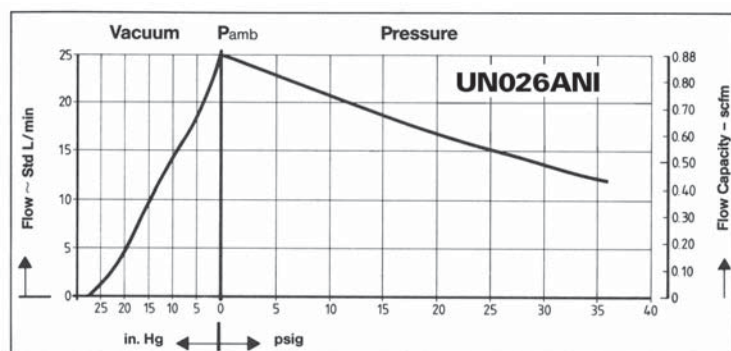
Type	Head	Diaphragm	Valves
UN026ANI	AL	NBR	316 SS
UN026ATI ⁽²⁾	AL	PTFE	316 SS
UN026AVI	AL	FPM	316 SS
UN026STI ⁽³⁾	316 SS	PTFE	Teflon
UN026SVI	316 SS	FPM	FPM

Notes: Standard continuous performance ratings are based on technical data and test results of nominal units at sea level with an ambient temperature of 70° F (21° C) and nominal electrical supply are listed above. Dimensions and performance characteristics given are for reference only. Higher performance models, cost efficient OEM modifications, a wide variety of motor options including BLDC and different materials of construction are available. Specifications subject to change without notice.

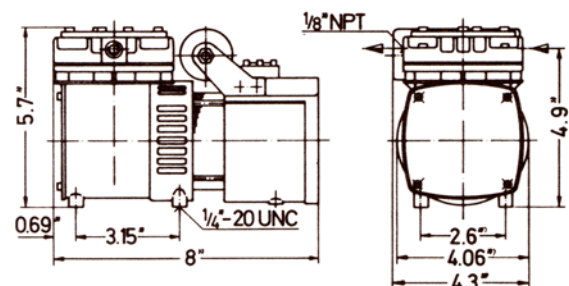
Accessories & Options: Hose Connectors, Noise & Dust Filters, Shock Mounts, Gastight, Brushless DC Motor.



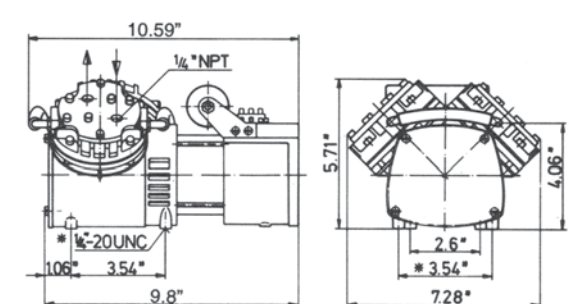
Performance Characteristics/Outline Dimensions:



UN026ANI



UN026.1.2ANI



KNF NEUBERGER, INC.

Two Black Forest Road
Trenton, New Jersey 08691-1810
Phone: 609-890-8600 · Fax: 609-890-8323
Web: <http://www.knf.com>

Download other
datasheets
from our
website at
www.knf.com