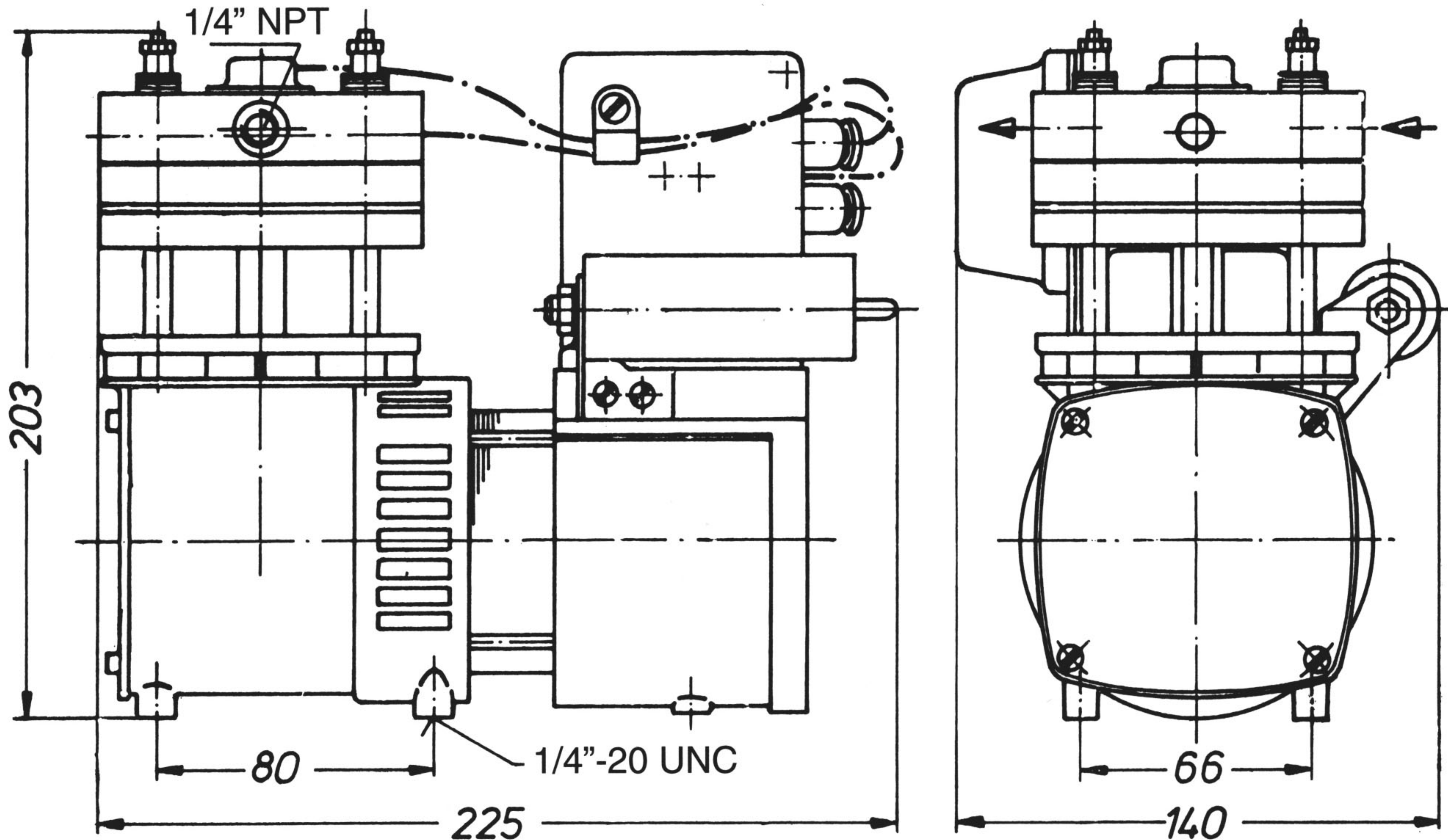


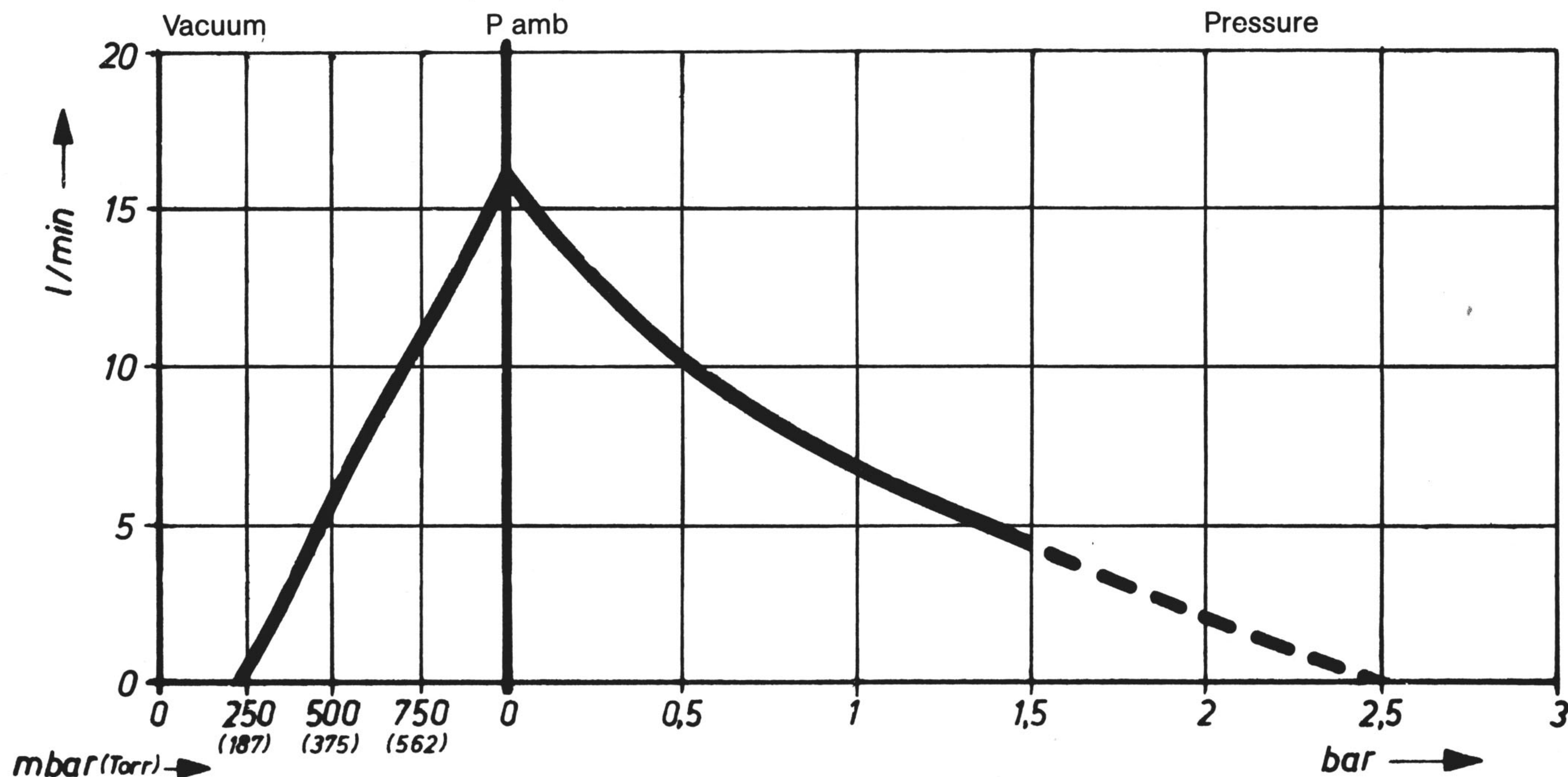
Diaphragm Vacuum Pumps and Compressors

N 026 AT.11 N 026 ST.11 (Electrically Heated)

Dimensions: (mm)



Technical Data: Measured @ atmospheric pressure @ +20°C (+68°F)



Voltage: 115 V/60 HZ
 Max. flow @ ambient pressure: 16 L/min. (.56 scfm)
 Max. vacuum: 180 Torr (23" Hg.)
 Max. pressure: 1.5 bar (22 psig.)

Heating Time: approx.
 10 min. to +200°C (+400°F)