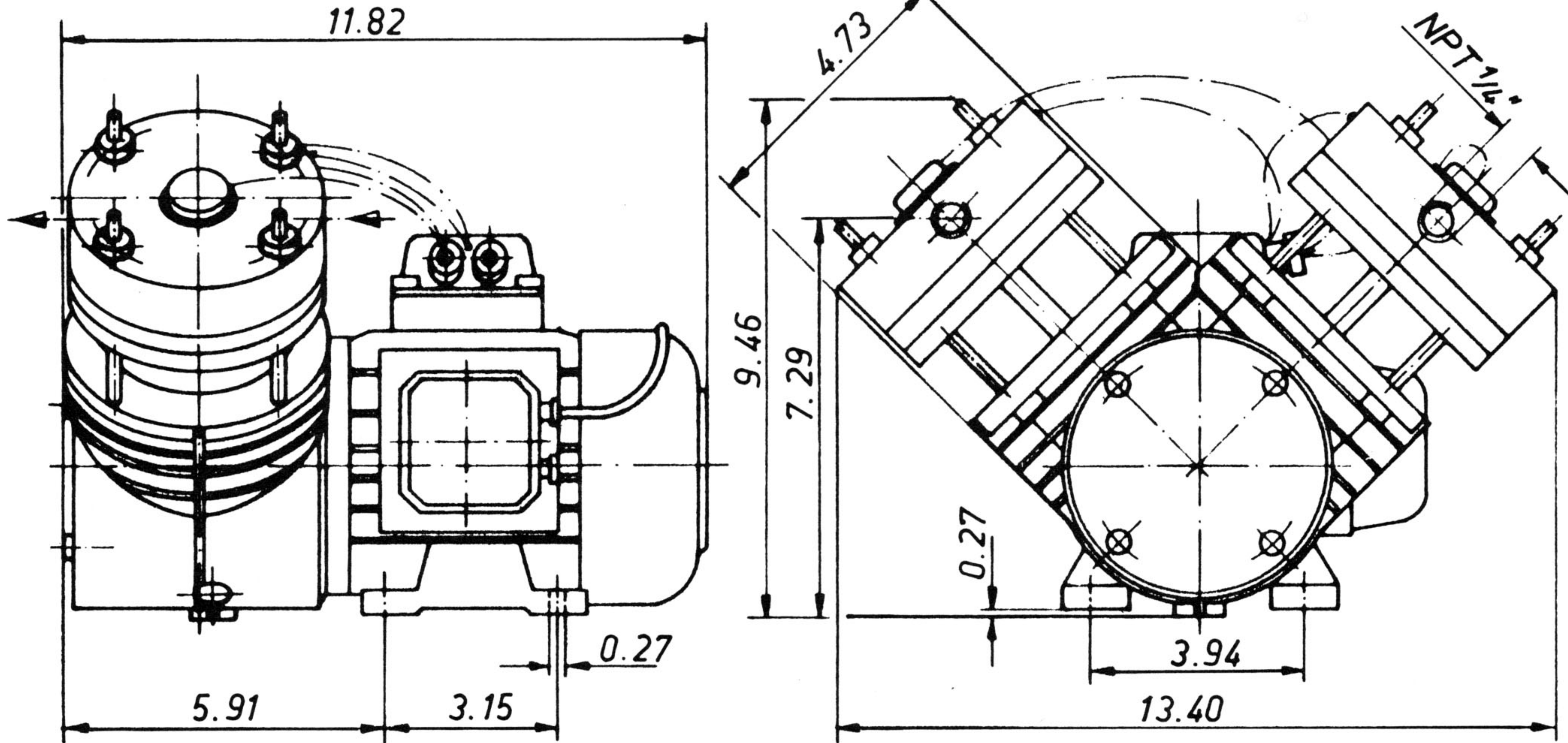


Diaphragm Vacuum Pumps and Compressors

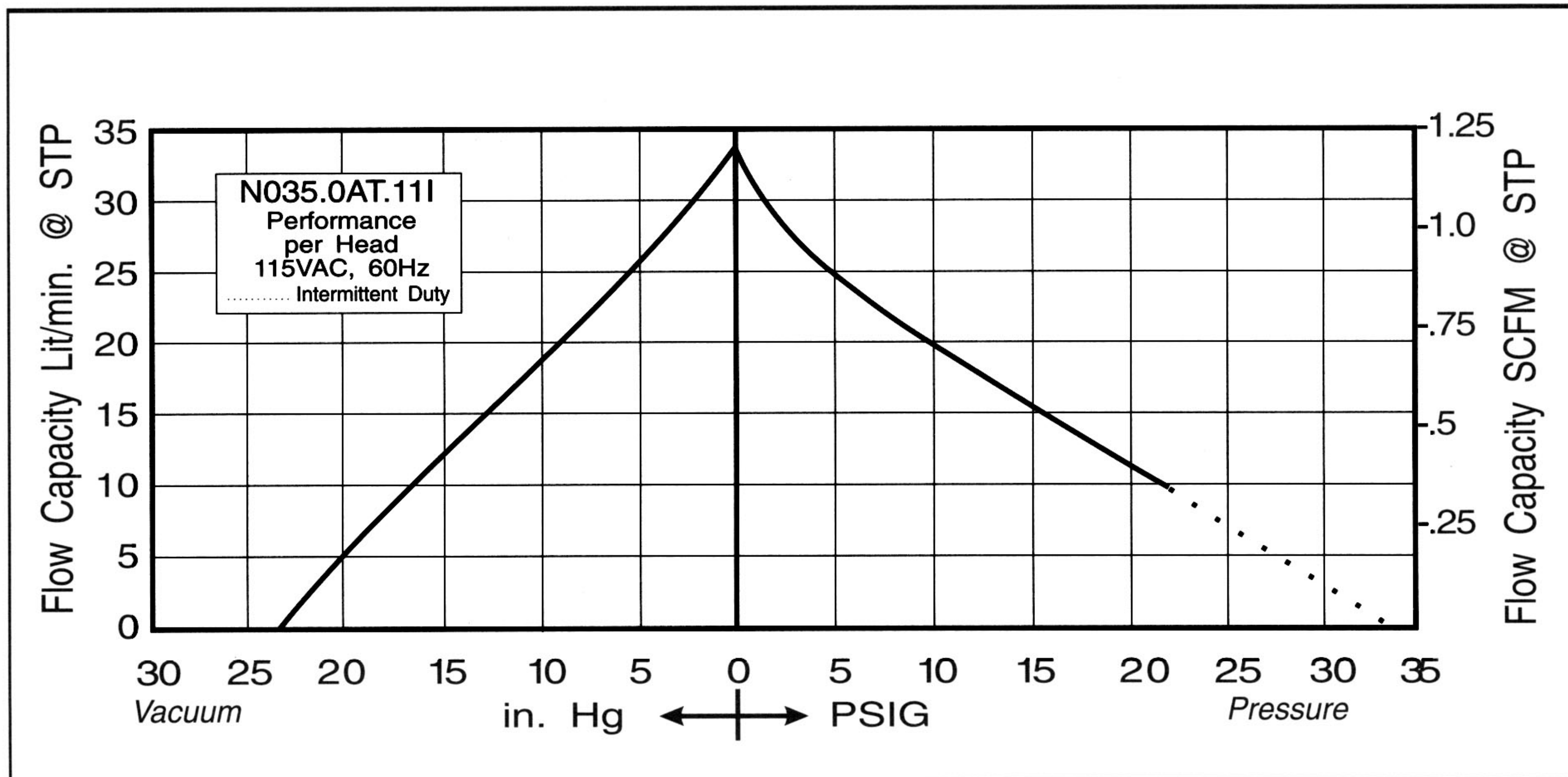
N 035.0 AT.11
N 035.0 ST.11
(Electrically Heated)

Dimensions: (in)



Technical Data: Measured @ atmospheric pressure @ +20°C (+68°F)
Separately for each head.

Performance Characteristics (Per Head)



Flow Capacity: 34 Std. liters/min. (1.2 scfm) per head
Max. Vacuum: 24 in. Hg
Max. Pressure: 22 psig continuous

Voltage: 115 VAC, 60 Hz
Heating Time: Approx. 15 min. to +200°C (+400°F)
Weight: 32.8 lb (14.8 kg)