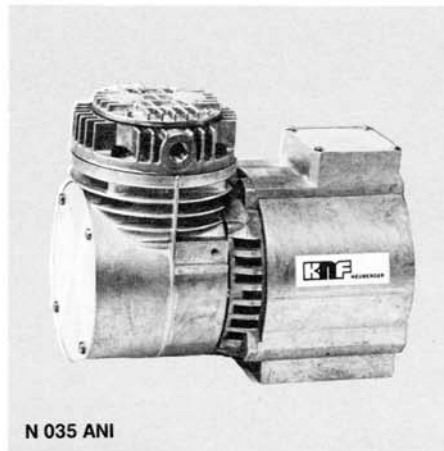


# Diaphragm Vacuum Pumps and Compressors

**N 035 -- P** portable models / installation models

Flow Capacity: 33 Std. liters/min. (1.15 scfm)  
Max. Vacuum: 27 in. Hg  
Max. Pressure: 60 psig continuous

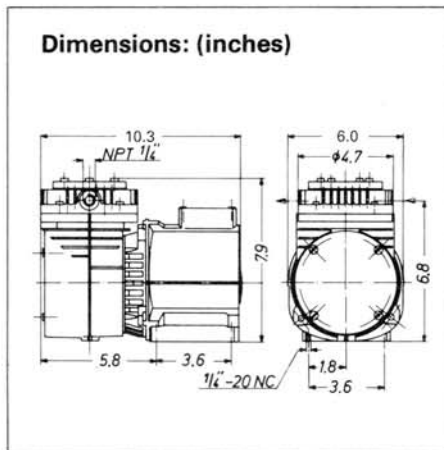


**Pump Materials:**

N 035 AN	Aluminum/Neoprene
N 035 AV <sup>(1)</sup>	Aluminum/Viton
N 035 AT <sup>(2)</sup>	Aluminum/Teflon®
N 035 SN	Stainless Steel/Neoprene
N 035 SV <sup>(1)</sup>	Stainless Steel/Viton
N 035 ST <sup>(2)</sup>	Stainless Steel/Teflon®
N 035 TN	PVDF Coated/Neoprene
N 035 TV <sup>(1)</sup>	PVDF Coated/Viton
N 035 TT <sup>(2)</sup>	PVDF Coated/Teflon®

**KNF Features**

- 100% oil-free operation
- contamination-free pumping of air, gas, or vapor
- low noise operation
- minimum vibration
- corrosion-resistant versions - see KNF Type-Chart
- oversized bearings for long life
- trouble-free operation in any position
- diaphragm and valve plate changed easily in just minutes
- can be used as compressor or vacuum pump
- available with TEFC (IP-44) motor



**Technical Data:**

Max. ambient operating temperature 105° F (40° C).  
115 V, 60 Hz shaded pole electric motor (std.)  
Current draw at max. load: 4.7 amps  
Weight: 21 Lbs

**Accessories:**

- Hose connector
- Muffler

**Performance Characteristics**

