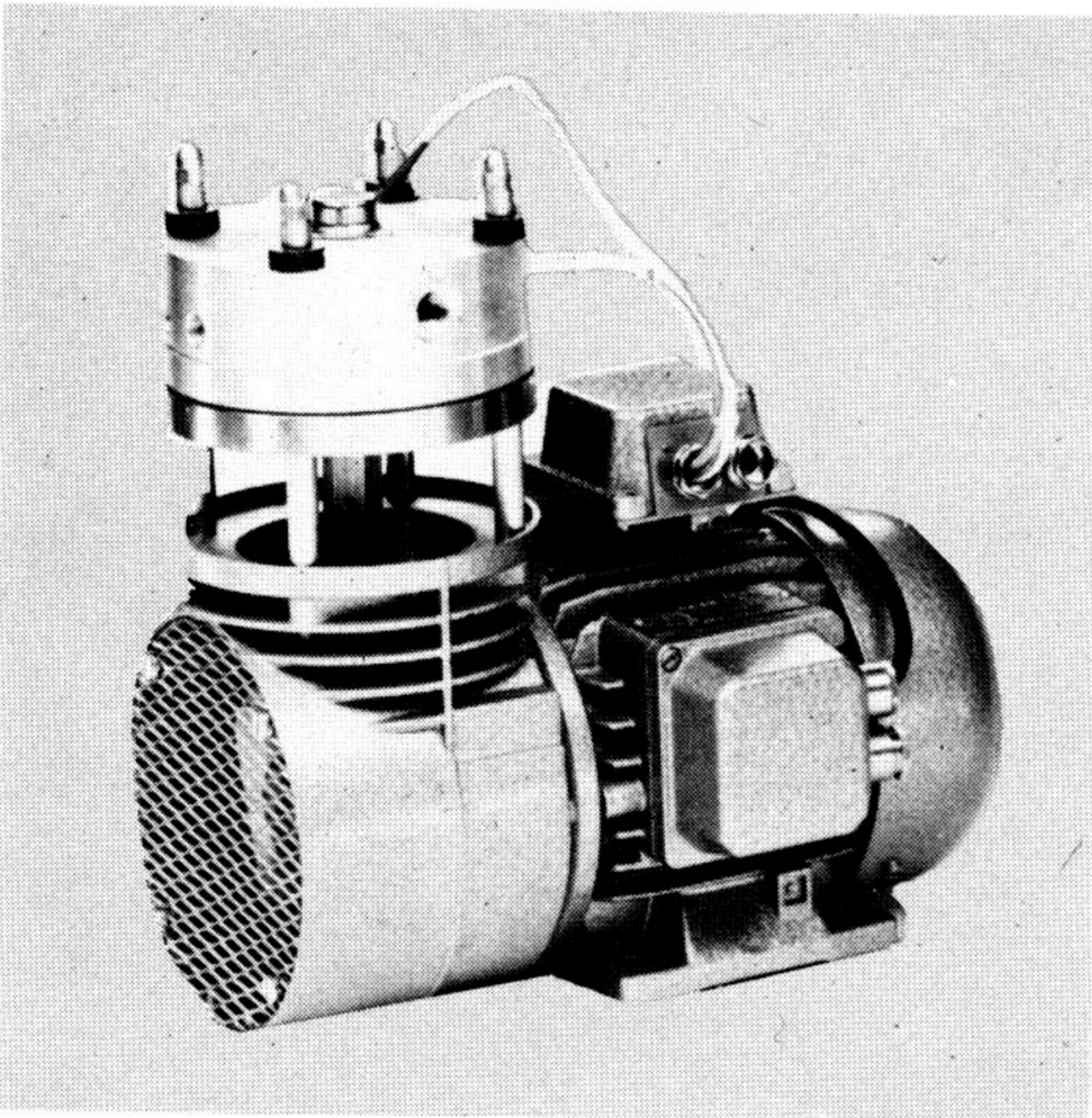


# Diaphragm Vacuum Pumps and Compressors

– Electrically Heated up to 400°F –

**N 035 . . . 11 I** installation models

Flow Capacity: 34 Std. liters/min. (1.2 scfm)  
Max. Vacuum: 24 in. Hg  
Max. Pressure: 20 psig continuous



**Technical Data:**

Max. head temperature: 400°F  
Standard motor: 115 V, 60 Hz  
Max. current draw: 6.4 ampere  
Heating time (without flow)  
appr. 15 minutes to 400°F  
Weight: 19.2 Lbs  
The electric heating device automatically keeps the diaphragm head at a constant temperature of 400°F.

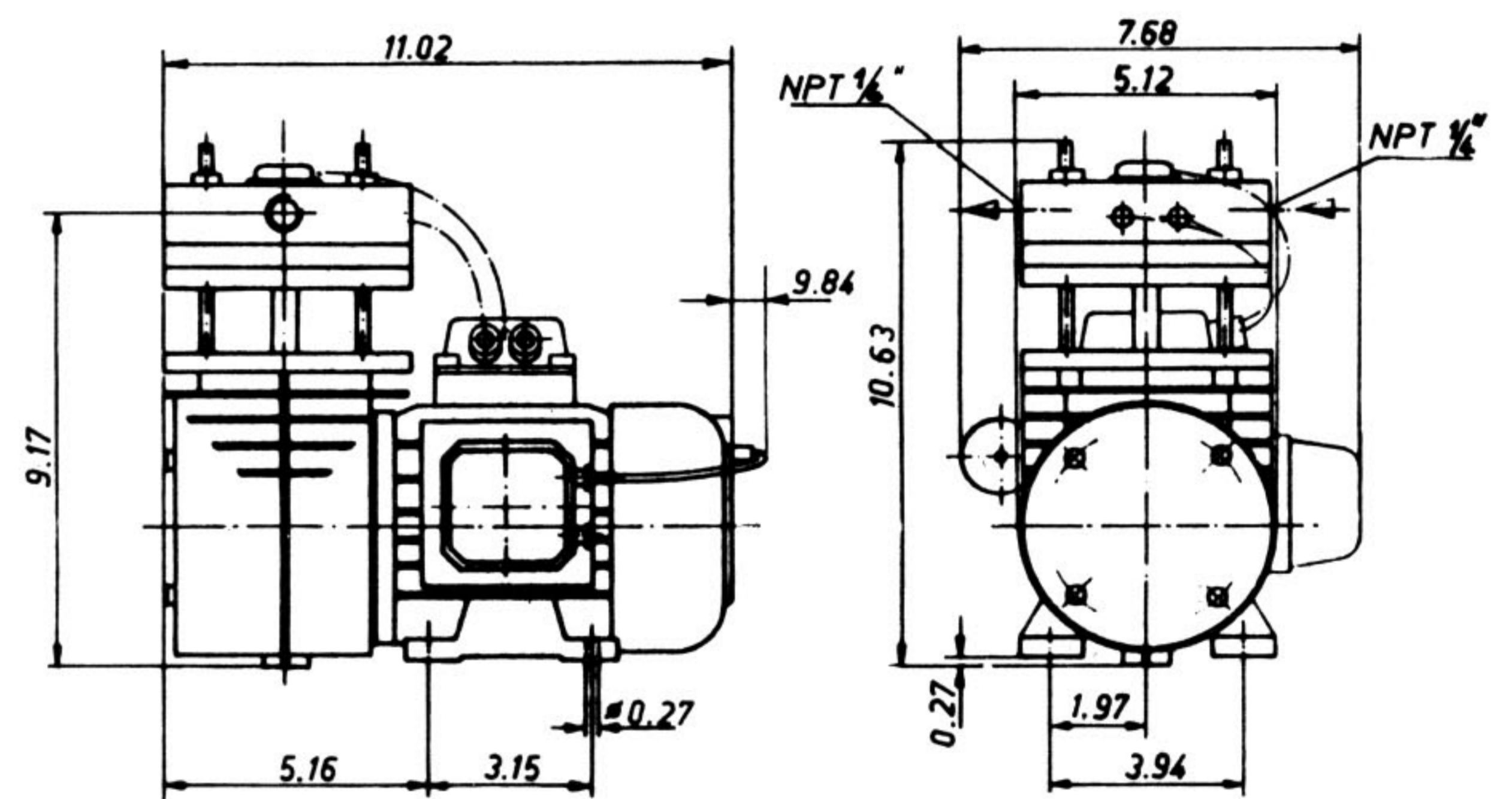
**Pump Materials:**

N 035 AT	Aluminum/Teflon
N 035 ST	Stainless Steel/Teflon

**KNF Features**

- 100% oil-free operation
- contamination-free pumping of air, gas, or vapour
- low noise operation
- minimum vibration
- trouble-free operation in any position
- small size and weight

**Dimensions (inches):**



**Performance Characteristics**

