

KNF Neuberger, Inc.  
2 Black Forest Road  
Trenton, NJ 08691-1810  
Tel. 609-890-8600  
Fax 609-890-8323  
www.knf.com/usa.htm

## Diaphragm compressors & vacuum pumps with double diaphragm system

**N 143 AN.12 E**

**N 186.1.2 AN.12 E N 186.3 AN.12 E**

Data Sheet E 065

Type	Delivery at atmos pressure l/min.	Max. Operating pressure bar g	Ultimate vacuum mbar
N 143 ---.12	30	3	100
N 186.1.2 ---.12	50	3	100
N 186.3 ---.12	30	-	3

### Technical Features:

- Double diaphragm system for increased safety
- Working diaphragm and safety diaphragm enclose a pressure and vacuum-tight safety space.
- Tested gas-tight  $6 \cdot 10^{-6}$  mbar l/s
- 100% oil-free delivery of air, gases and vapours.
- Extensive operation without maintenance.
- Electrical equipment according to VDE.

Diaphragm compressors and vacuum pumps with second safety diaphragm.  
N 143 ---.12 E  
N 186.1.2 ---.12 E twin heads connected in parallel  
N 186.3 ---.12 E heads in series (2 stage) vacuum pump



Performance according to materials selected.

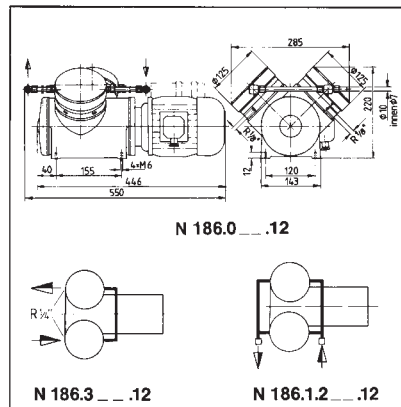
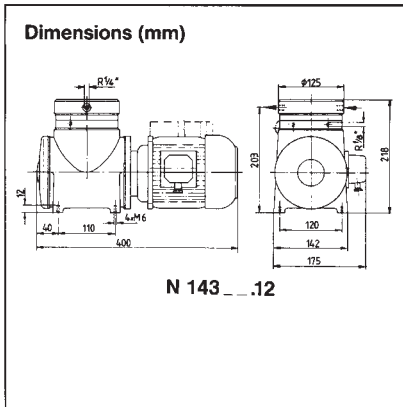
N 143 AN.12 E Aluminium/Neoprene  
N 186.1.2 AN.12 E (Standard-Type)  
N 186.3 AN.12 E

Other combinations of materials available for corrosive media

N 143 AV.12 E Aluminium/Viton  
N 143 SN.12 E Stainless st./Neopr.  
N 143 SV.12 E Stainless steel/Viton  
N 186.1.2 AV.12 E Aluminium/Viton  
N 186.1.2 SN.12 E Stainless st./Neopr.  
N 186.1.2 SV.12 E Stainless steel/Viton  
N 186.3 AV.12 E Aluminium/Viton  
N 186.3 SN.12 E Stainless st./Neopr.  
N 186.3 SV.12 E Stainless steel/Viton

Other models possible for example materials in Hastelloy with diaphragm in teflon or perbunan.

Schnittmodell



### Technical Data:

Max. operating temperature 40° C.  
Motor ~ 230 V, 50 Hz, 0.25 KW with a running current of 2 A.  
≈ 400 V, 50 Hz, 0.25 KW with a running current of 1.4 A.  
Protection IP 44 Motors for other voltages, frequencies and classification on request. Weight for single head pump approx. 13 kg. Weight for double head pump approx. 18 kg.

