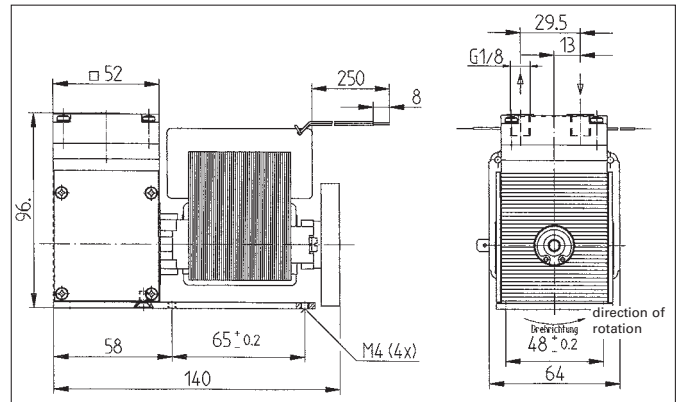
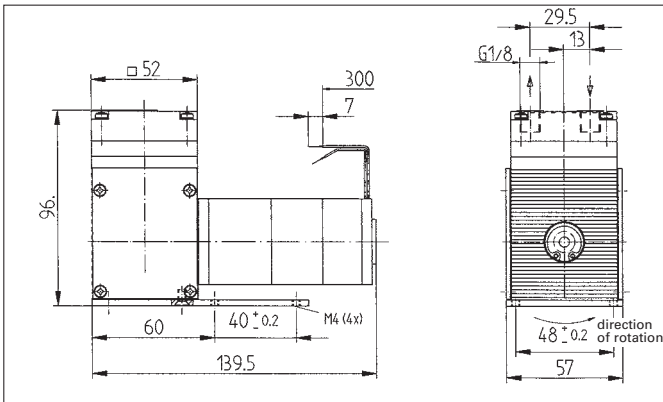




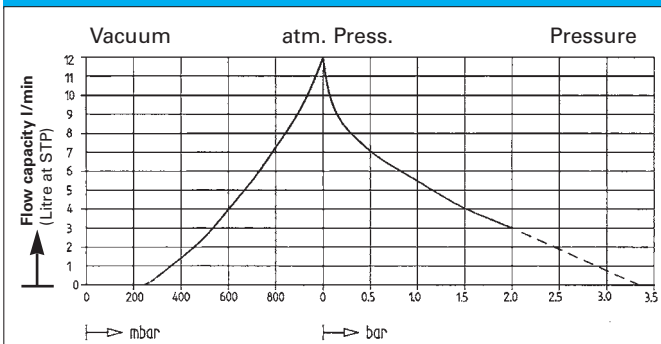
## N 814 KNDC N 814 KTDC

## N 814 KNI N 814 KTI

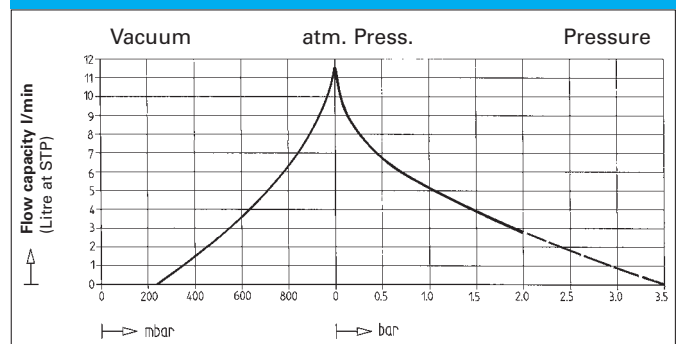
Dimensions in mm (All dimensional tolerances conform to DIN ISO 2768-1, Tolerance Class V)



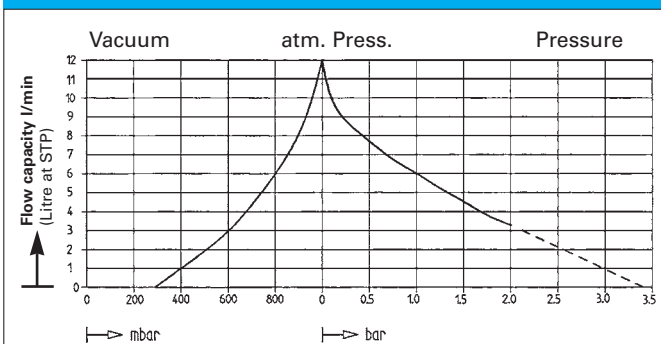
### N 814 KNDC



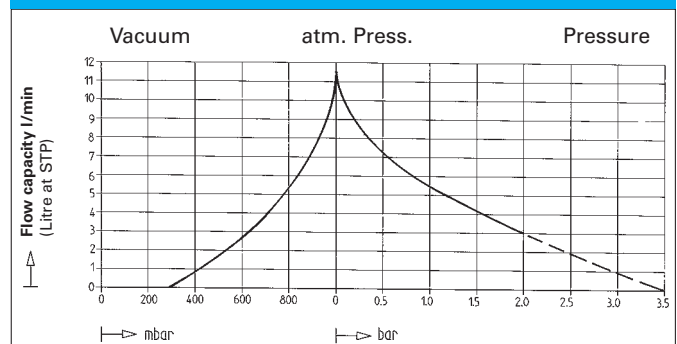
### N 814 KNI



### N 814 KTDC



### N 814 KTI



#### PERFORMANCE DATA

Type and Order No. <sup>2)</sup>	Delivery at atm. pressure (l/min) <sup>1)</sup>	Max. operating pressure (psig) <sup>3)</sup>	Ultimate vacuum (in. Hg abs.)
N 814 KNDC	12	29	23
N 814 KTDC	12	29	21

<sup>1)</sup> Standard Liters <sup>3)</sup> continuous duty

#### MOTOR DATA

DC motor	12 V	24 V
Operating current, N 814 KNDC	2.1 A	1.1 A
Operating current, N 814 KTDC	2.3 A	1.3 A

Other voltages, frequencies and motor types may be available.

#### MODEL CODES AND MATERIALS

Type and Order No. <sup>2)</sup>	Pump head	Diaphragm	Valves
N 814 KNDC	Ryton <sup>4)</sup>	EPDM	Viton
Chemically resistant version			
N 814 KTDC	Ryton <sup>4)</sup>	PTFE	FFPM

<sup>2)</sup> See also "MODEL CODE FOR EASY ORDERING" <sup>4)</sup> Phillips Petroleum registered trade mark

#### PERFORMANCE DATA

Type and Order No. <sup>2)</sup>	Delivery at atm. pressure (l/min) <sup>1)</sup>	Max. operating pressure (psig) <sup>3)</sup>	Ultimate vacuum (in. Hg abs.)
N 814 KNI	11.5	29	23
N 814 KTI	11.5	29	21

<sup>1)</sup> Standard Liters <sup>3)</sup> continuous duty

#### MOTOR DATA

Protection class	IP 00	IP00
Voltage/Frequencies (V/Hz)	230/50	115/60
Power P <sub>1</sub> (W)	85	85
Operating current (A)	0.7	1.4

#### MODEL CODES AND MATERIALS

Type and Order No. <sup>2)</sup>	Pump head	Diaphragm	Valves
N 814 KNI	Ryton <sup>4)</sup>	EPDM	Viton
Chemically resistant version			
N 814 KTI	Ryton <sup>4)</sup>	PTFE	FFPM