

## DIAPHRAGM VACUUM PUMPS

Section 74.80



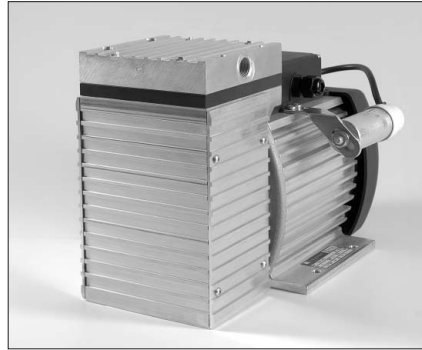
**N860FTI**

### Concept

The Diaphragm Vacuum Pumps from KNF are based on a simple principal - an elastic diaphragm, fixed on its edge, moves up and down its central point by means of an eccentric. in this way the substance is transferred using automatic valves.

The pumps are equipped with the patented stress-optimised structured diaphragm, resulting in a high pneumatic performance, long product life and compact size. Multi-port valves tolerate condensate and vapors without damage.

Thanks to the KNF modular system, the parts used to transfer the gases can be made from materials with varying degrees of resistance. The customer has a choice of pump drives ranging from a selection of A/C motors to explosion-proof models. Please contact us for further details.



**N860ANI**

### Features

#### Uncontaminated flow

No contamination of the media due to oil-free operation

#### Maintenance-free

#### Compact size

due to structured diaphragm

#### High performance

because of structured diaphragm

#### High level of gas tightness

#### Long product life

thanks to structured diaphragm

#### Very quiet and little vibration

#### Copes well with vapor and condensation, using multi-port valves.

#### Strong motor starts against vacuum

#### Cool running, heavy-duty motor

ball-bearing design, continuous duty

#### Ready for assembly

Can operate in any installed position



**N860.ANI**

### Areas of use

The Diaphragm Vacuum Pumps offer a high level of performance despite their small size, as well as an excellent price performance ratio. They are required especially in the fields of analysis, medicine and production technology.

The pumps are used for air and gases, taking samples (even liquids in a vacuum) and evacuating vessels.

## PERFORMANCE DATA

Type	Delivery (l/min)	Vacuum (mbar abs.)	atm. Press.	Pressure (bar g)	Weight (kg)
N 860 ANI	60	80		1	12.7
N 860 ATI	60	80		1	12.7
N 860 FTI	60	80		1	12.5
N 860.3ANI	60	2		1	14.7
N 860.3ATI	60	2		1	14.7
N 860.3 FTI	60	2		1	14.3

**PERFORMANCE DATA**

Type and Order No.	Delivery at atm. Pressure (l/min) <sup>1)</sup>	Max. operating pressure (bar g)	Ultimate vacuum (mbar abs.)
N 860 ANI	60	1	80
N 860 ATI	60	1	80

<sup>1)</sup> Litre at STP

**MOTOR DATA**

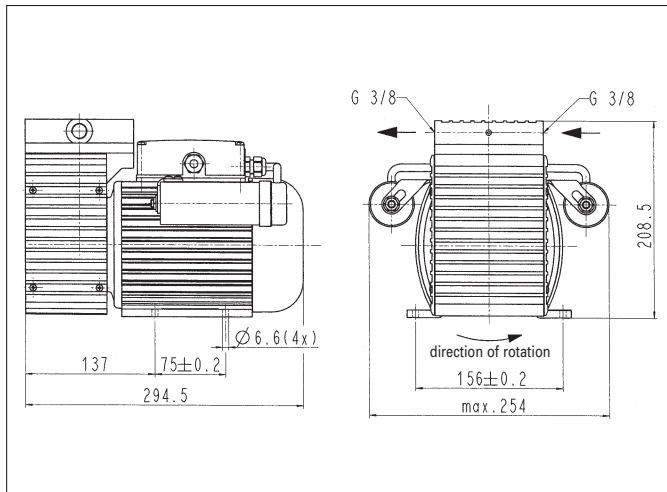
Protection class	<b>IP 54</b>		
Voltage/Frequencies (V/Hz)	115/60		
Power P <sub>1</sub> (W)	200		
Operating current (A)	.8		

**MODEL CODES AND MATERIALS**

Type and Order No. <sup>2)</sup>	Pump head	Diaphragm	Valves
<b>N 860 ANI</b>	Aluminium	EPDM	EPDM
For slightly aggressive or corrosive gases and vapors			
<b>N 860 ATI</b>	Aluminium	PTFE coated	FFPM

<sup>2)</sup> See also „MODEL CODE FOR EASY ORDERING“

**Dimensions <sup>3)</sup> (mm)**



<sup>3)</sup> All dimensional tolerances conform to DIN ISO 2768-1, Tolerance Class V

**PERFORMANCE DATA**

Type and Order No. **	Delivery at atm. pressure (l/min) <sup>1)</sup>	Max. operating pressure (bar g)	Ultimate vacuum (mbar abs.)
N 860 FTI	60	1	80

<sup>1)</sup> Litre at STP

**MOTOR DATA**

Protection class	<b>IP 54</b>		
Voltage/Frequencies (V/Hz)	115/60		
Power P <sub>1</sub> (W)	200		
Operating current (A)	.8		

**MODEL CODES AND MATERIALS**

Type and Order No. <sup>2)</sup>	Pump head	Diaphragm	Valves
<b>N 860 FTI</b>	PTFE	PTFE coated	FFPM

