

DIAPHRAGM VACUUM PUMPS

Section 74.80



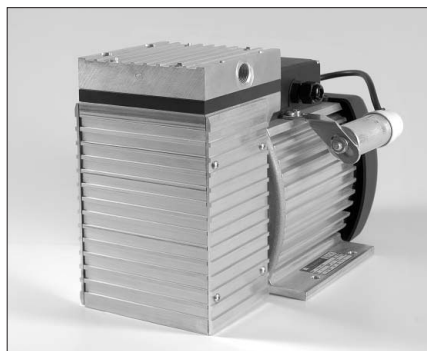
N860FTI

Concept

The Diaphragm Vacuum Pumps from KNF are based on a simple principal - an elastic diaphragm, fixed on its edge, moves up and down its central point by means of an eccentric. in this way the substance is transferred using automatic valves.

The pumps are equipped with the patented stress-optimised structured diaphragm, resulting in a high pneumatic performance, long product life and compact size. Multi-port valves tolerate condensate and vapors without damage.

Thanks to the KNF modular system, the parts used to transfer the gases can be made from materials with varying degrees of resistance. The customer has a choice of pump drives ranging from a selection of A/C motors to explosion-proof models. Please contact us for further details.



N860ANI

Features

Uncontaminated flow

No contamination of the media due to oil-free operation

Maintenance-free

Compact size

due to structured diaphragm

High performance

because of structured diaphragm

High level of gas tightness

Long product life

thanks to structured diaphragm

Very quiet and little vibration

Copes well with vapor and condensation, using multi-port valves.

Strong motor starts against vacuum

Cool running, heavy-duty motor ball-bearing design, continuous duty

Ready for assembly

Can operate in any installed position



N860.ANI

Areas of use

The Diaphragm Vacuum Pumps offer a high level of performance despite their small size, as well as an excellent price performance ratio. They are required especially in the fields of analysis, medicine and production technology.

The pumps are used for air and gases, taking samples (even liquids in a vacuum) and evacuating vessels.

PERFORMANCE DATA

| Type | Delivery (l/min) | Vacuum (mbar abs.) | atm. Press. | Pressure (bar g) | Weight (kg) |
|-------------|------------------|--------------------|-------------|------------------|-------------|
| N 860 ANI | 60 | 80 | | 1 | 12.7 |
| N 860 ATI | 60 | 80 | | 1 | 12.7 |
| N 860 FTI | 60 | 80 | | 1 | 12.5 |
| N 860.3ANI | 60 | 2 | | 1 | 14.7 |
| N 860.3ATI | 60 | 2 | | 1 | 14.7 |
| N 860.3 FTI | 60 | 2 | | 1 | 14.3 |

PERFORMANCE DATA

| Type and Order No. | Delivery at atm. Pressure (l/min) ¹⁾ | Max. operating pressure (bar g) | Ultimate vacuum (mbar abs.) |
|--------------------|---|---------------------------------|-----------------------------|
| N 860 ANI | 60 | 1 | 80 |
| N 860 ATI | 60 | 1 | 80 |

¹⁾ Litre at STP

MOTOR DATA

| | | | |
|----------------------------|--------------|--|--|
| Protection class | IP 54 | | |
| Voltage/Frequencies (V/Hz) | 115/60 | | |
| Power P ₁ (W) | 200 | | |
| Operating current (A) | .8 | | |

MODEL CODES AND MATERIALS

| Type and Order No. ²⁾ | Pump head | Diaphragm | Valves |
|---|-----------|-------------|--------|
| N 860 ANI | Aluminium | EPDM | EPDM |
| For slightly aggressive or corrosive gases and vapors | | | |
| N 860 ATI | Aluminium | PTFE coated | FFPM |

²⁾ See also „MODEL CODE FOR EASY ORDERING“

PERFORMANCE DATA

| Type and Order No. ** | Delivery at atm. pressure (l/min) ¹⁾ | Max. operating pressure (bar g) | Ultimate vacuum (mbar abs.) |
|-----------------------|---|---------------------------------|-----------------------------|
| N 860 FTI | 60 | 1 | 80 |

¹⁾ Litre at STP

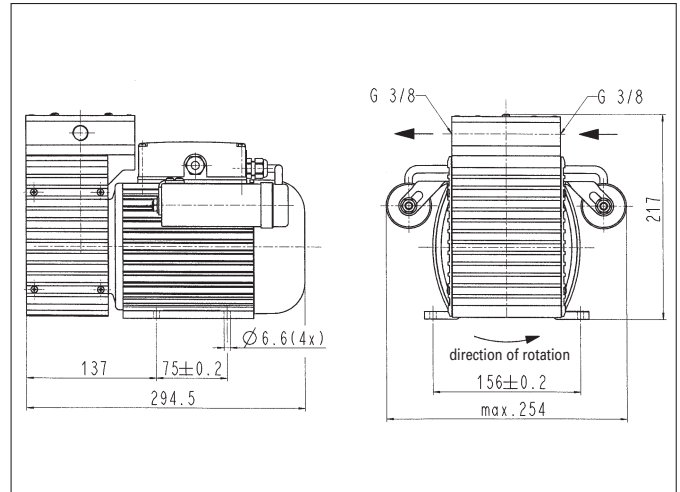
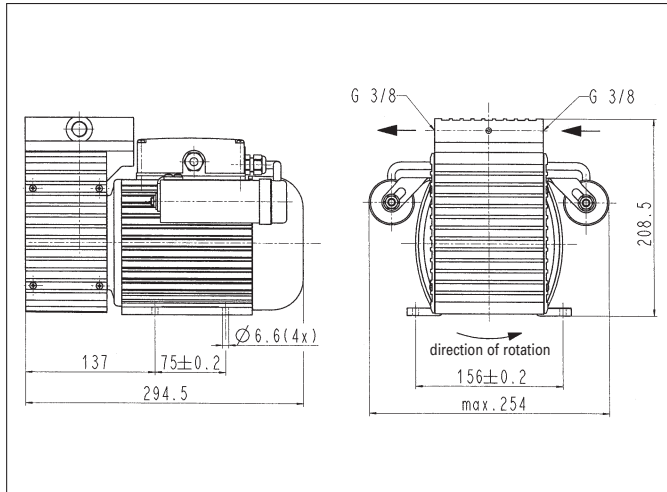
MOTOR DATA

| | | | |
|----------------------------|--------------|--|--|
| Protection class | IP 54 | | |
| Voltage/Frequencies (V/Hz) | 115/60 | | |
| Power P ₁ (W) | 200 | | |
| Operating current (A) | .8 | | |

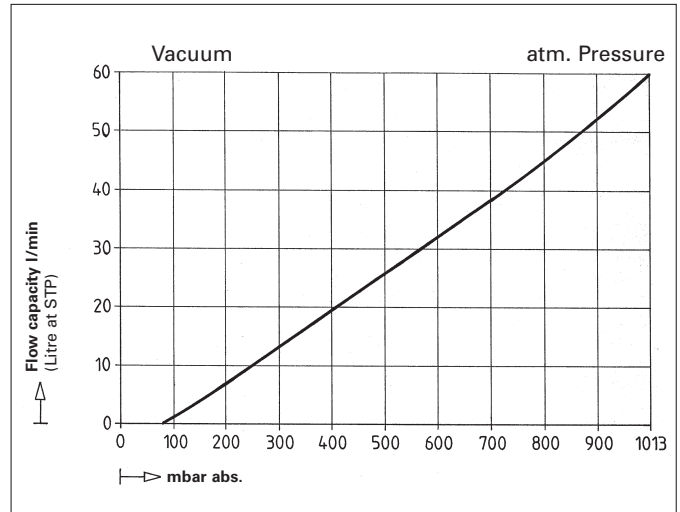
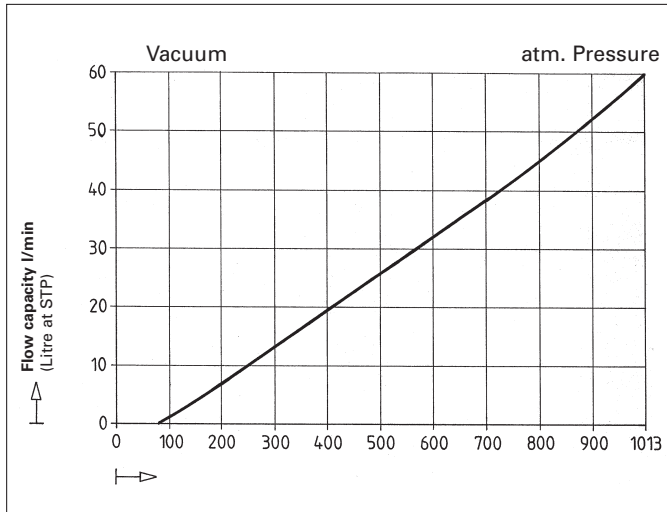
MODEL CODES AND MATERIALS

| Type and Order No. ²⁾ | Pump head | Diaphragm | Valves |
|----------------------------------|-----------|-------------|--------|
| N 860 FTI | PTFE | PTFE coated | FFPM |

Dimensions ³⁾ (mm)



³⁾ All dimensional tolerances conform to DIN ISO 2768-1, Tolerance Class V



PERFORMANCE DATA

| Type and Order No. | Delivery at atm. pressure (l/min) ¹⁾ | Max. operating pressure (bar g) | Ultimate vacuum (mbar abs.) |
|--------------------|---|---------------------------------|-----------------------------|
| N 860.3 ANI | 60 | 1 | 2 |
| N 860.3 ATI | 60 | 1 | 2 |

¹⁾ Litre at STP

MOTOR DATA

| | | | |
|----------------------------|--------------|--|--|
| Protection class | IP 54 | | |
| Voltage/Frequencies (V/Hz) | 115/60 | | |
| Power P ₁ (W) | 220 | | |
| Operating current (A) | .9 | | |

MODEL CODES AND MATERIALS

| Type and Order No. ²⁾ | Pump head | Diaphragm | Valves |
|---|-----------|-------------|--------|
| N 860.3 ANI | Aluminium | EPDM | EPDM |
| For slightly aggressive or corrosive gases and vapors | | | |
| N 860.3 ATI | Aluminium | PTFE coated | FFPM |

PERFORMANCE DATA

| Type and Order No. | Delivery at atm. pressure (l/min) ¹⁾ | Max. operating pressure (bar g) | Ultimate vacuum (mbar abs.) |
|--------------------|---|---------------------------------|-----------------------------|
| N 860.3 FTI | 60 | 1 | 2 |

¹⁾ Litre at STP

MOTOR DATA

| | | | |
|----------------------------|--------------|--|--|
| Protection class | IP 54 | | |
| Voltage/Frequencies (V/Hz) | 115/60 | | |
| Power P ₁ (W) | 220 | | |
| Operating current (A) | .9 | | |

MODEL CODES AND MATERIALS

| Type and Order No. ²⁾ | Pump head | Diaphragm | Valves |
|----------------------------------|-----------|-------------|--------|
| N 860.3 FTI | PTFE | PTFE coated | FFPM |

