



Series N89 Pumps

Mini Vacuum Pumps

TECHNICAL FEATURES:

- Uncontaminated flow
- No contamination of the media, oil-free operation
- Compact size
- Maintenance-free
- High performance structured diaphragm

- High level of gas tightness
- Long product life
- Handles vapor and condensation
- Cool running continuous-rated motor
- Can operate in any installed position

CONCEPT

The Mini Diaphragm Vacuum Pumps from KNF are based on a simple principal - an elastic diaphragm, fixed on its edge, moves up and down its central point by means of an eccentric. In this way the medium is transferred using automatic valves.

The pumps are equipped with the patented stress-optimized structured diaphragm, resulting in a high pneumatic performance, a durable product and compact size. Special valves ensure that the product can cope easily with vapor and condensation.

Thanks to the KNF modular system, the parts used to transfer the gases can be made from materials with varying degrees of durability. The pumps can be driven by either AC or DC motors.

AREAS OF USE

The Mini Diaphragm Vacuum Pumps offer a high level of performance despite their small size, as well as an excellent price performance ratio. They are required especially in the fields of analysis, medicine and production technology.

The pumps are used for sucking gases, taking samples (even liquids in a vacuum) and evacuating vessels.

The AC models are suited for use in machinery, which is permanent or mains-operated. Mini Diaphragm Pumps for portable and stand-alone equipment require DC power supplies.

PERFORMANCE DATA

Type	Delivery (l/min)	Vacuum (mbar abs.)	atm. Press.	Pressure (bar g)	Weight (kg)
N 89 KNDC	9	100		0.5	0.9
N 89 KTDC	9	170		0.5	0.9
N 89 KNI	9.5	100		0.5	1.3
N 89 KTI	9.5	170		0.5	1.3

ACCESSORIES

Description	Order No.	Details
Silencer / Filter	000346	G 1/8
Hose connector	000360	G 1/8 / PA
Hose connector	014052	G 1/8 / PVDF

Diaphragm Pumps for Air, Gases and Vapors

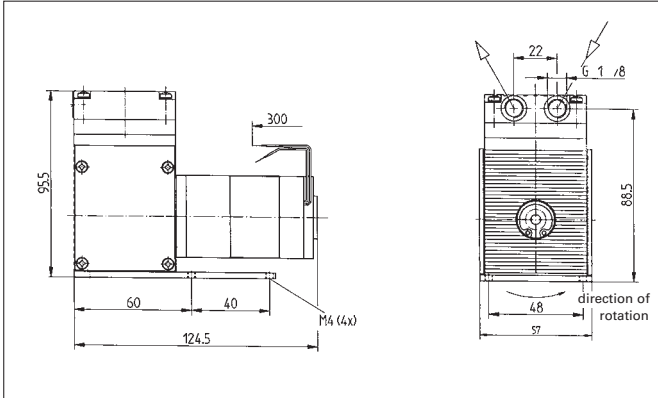
INNOVATIVE
TECHNOLOGY
WORLDWIDE



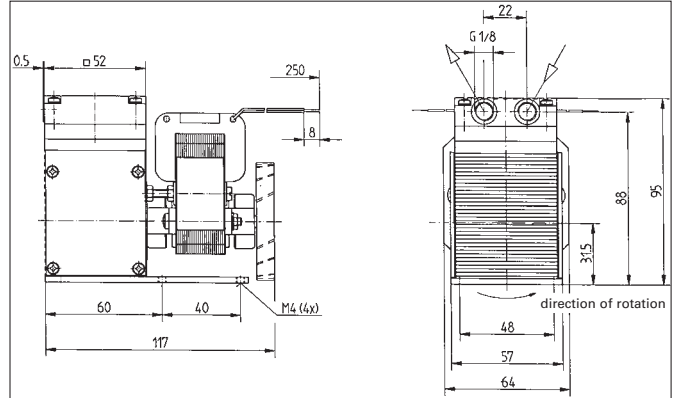
NEUBERGER, INC.

N 89 KNDC N 89 KTDC

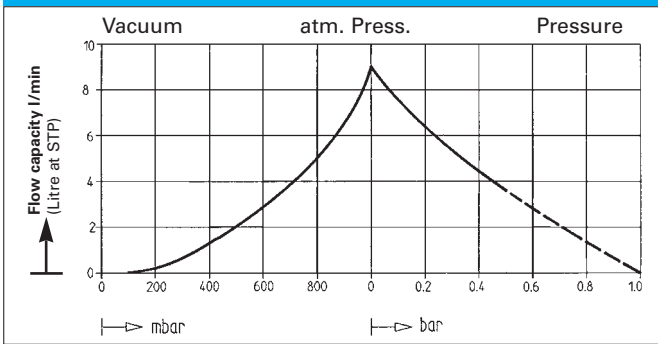
Dimensions in mm (All dimensional tolerances conform to DIN ISO 2768-1, Tolerance Class V)



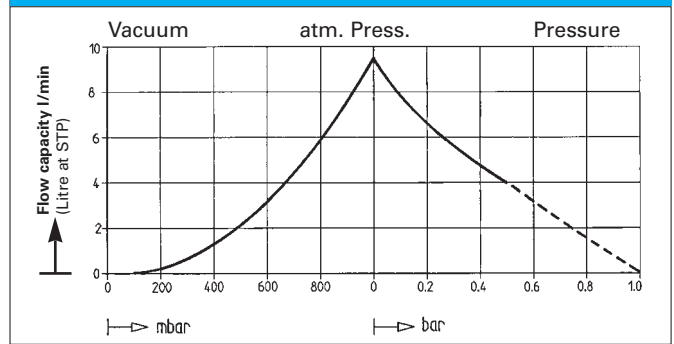
N 89 KNI N 89 KTI



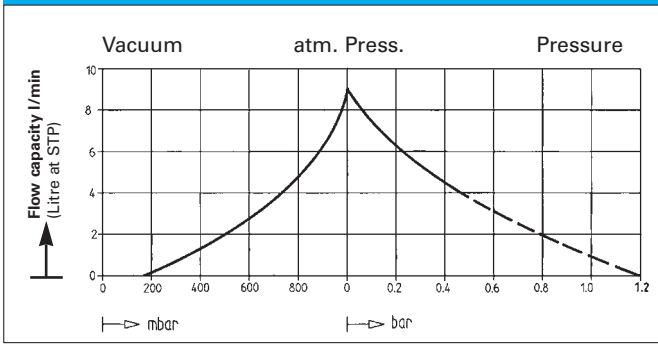
N 89 KNDC



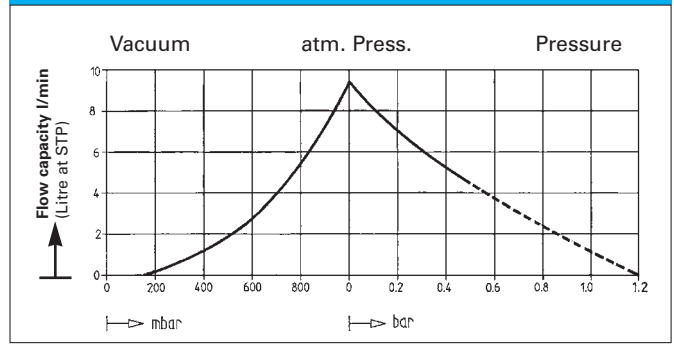
N 89 KNI



N 89 KTDC



N 89 KTI



----- for short periods only

----- for short periods only

PERFORMANCE DATA

Type and Order No. ²⁾	Delivery at atm. pressure (l/min) ¹⁾	Max. operating pressure (bar g) ³⁾	Ultimate vacuum (mbar abs.)
N 89 KNDC	9	0,5	100
N 89 KTDC	9	0,5	170

¹⁾ Litre at STP ³⁾ Continuous running

MOTOR DATA

DC motor	6 V	12 V	24 V
Operating current (A)	1,7	0,85	0,45

Motors with other voltages, frequencies and protection on request.

MODEL CODES AND MATERIALS

Type and Order No. ²⁾	Pump head	Diaphragm	Valves
N 89 KNDC	Ryton ⁴⁾	EPDM	CR
Chemically resistant version			
N 89 KTDC	Ryton ⁴⁾	PTFE coated	FFPM

²⁾ See also „MODEL CODE FOR EASY ORDERING“

⁴⁾ Phillips Petroleum registered trade mark

PERFORMANCE DATA

Type and Order No. ²⁾	Delivery at atm. pressure (l/min) ¹⁾	Max. operating pressure (bar g) ³⁾	Ultimate vacuum (mbar abs.)
N 89 KNI	9,5	0,5	100
N 89 KTI	9,5	0,5	170

¹⁾ Litre at STP ³⁾ Continuous running

MOTOR DATA

Protection class	IP 00		
Voltage/Frequencies (V/Hz)	115/60		
Power P ₁ (W)	60		
Operating current (A)	0,6		

MODEL CODES AND MATERIALS

Type and Order No. ²⁾	Pump head	Diaphragm	Valves
N 89 KNI	Ryton ⁴⁾	EPDM	CR
Chemically resistant version			
N 89 KTI	Ryton ⁴⁾	PTFE coated	FFPM

Diaphragm Pumps for Air, Gases and Vapors

INNOVATIVE
TECHNOLOGY
WORLDWIDE



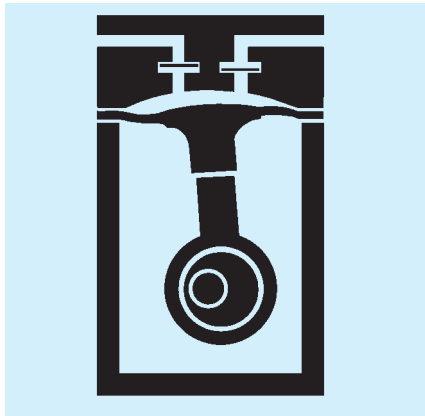
NEUBERGER, INC.

TIPS ON FUNCTION, INSTALLATION AND SERVICE

FUNCTION OF KNF DIAPHRAGM VACUUM PUMPS AND COMPRESSORS

An elastic diaphragm is moved up and down by an eccentric (see illustration). On the down-stroke it draws the air or gas being handled through the inlet valve. On the up-stroke the diaphragm forces the medium through the exhaust valve and out of the head. The compression chamber is hermetically separated from the drive mechanism by the diaphragm. The pumps transfer, evacuate and compress completely oil-free.

Diaphragm pump



TIPS ON INSTALLATION AND OPERATION

- Range of use: Transferring air and gases at temperatures between +5°C and +40°C
- Use chemically resistant version for aggressive gases and vapours
- Permissible ambient temperature: between +5°C and +40°C
- The standard pumps are not suitable for use in areas where there is a risk of explosion. In these cases there are other products in the KNF program - please ask us for details
- The pumps are not designed to start against pressure or vacuum; when a pump is switched on the pressure in the suction and pressure lines must be atmospheric. Pumps that start against pressure or vacuum are available on request
- To prevent the maximum operating pressure being exceeded, restriction or regulation of the air flow should only be carried out in the suction line

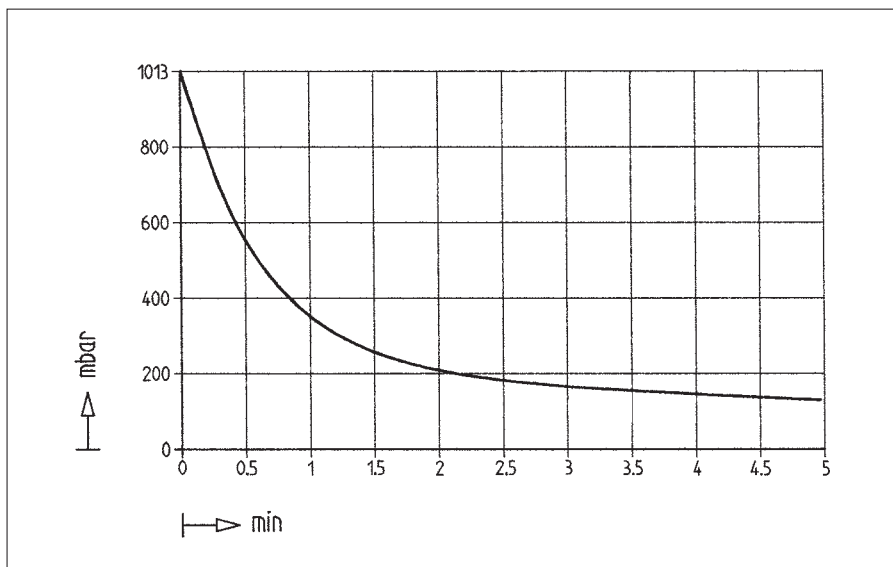
- Components connected to the pump must be designed to withstand the pneumatic performance of the pump
- Install the pump so that the fan can draw in sufficient cooling air
- Fit the pump at the highest point in the system, so that condensate cannot collect in the head of the pump - that prolongs working-life.

TIPS ON SERVICE

The diaphragm and valve plates are the only parts of the KNF diaphragm pumps subject to wear. They are easy to change, as no special tools are needed.

If you have any questions, please call our application engineers (see below for contact telephone number).

PUMP DOWN TIME FOR 5 LITER RECEIVER



MODEL CODE FOR EASY ORDERING

The model code is identical to the order number. It is made up as follows:

N 89	KN	I DC	115V /60Hz, IP 00 or 12 V
------	----	---------	------------------------------

- Base model
- Head materials
- Version with ac (E) or dc motor (DC)
- Other motor data eg.:

In addition the motor data must be given in the purchase order (voltage, frequency, and protection class). In our extensive program you are sure to find the pump you need for your particular application.