

MINI SWING PISTON COMPRESSORS AND VACUUM PUMPS FOR AIR

Section 300.15



NPK 04 ... DC



NPK 04 ... DCB

Concept

The Swing Piston Pumps from KNF are based on a simple principal: As it rises and falls the piston tilts first to one side, then the other. The compression forces act along the axis of the connecting rod, so that there is no component of force acting against the cylinder wall to cause wear. Thanks to the sealing lip on the piston seal the swing piston pump runs dry, and 100% oil-free. They will evacuate, transfer and compress air without contamination.

For customers with unusual requirements the KNF Project Team produces specially tailored solutions. Use our experience to your advantage and talk to our applications engineers.

Features

- Uncontaminated flow**
No contamination of the air due to oil-free operation
- Maintenance-free**
- High level of flow-rate**
- Excellent price performance ratio**
- Very quiet and little vibration**
- Ready for installation**
- Can operate in any installed position**

Areas of use

The Mini Swing Piston Pumps offer a high level of performance despite their small size, as well as an excellent price performance ratio. They are used especially in the fields of medicine, environmental and production technology.

These pumps are used for transferring, compressing and evacuation air, taking samples, evacuating vessels and compressing air in process systems and vessels.

PERFORMANCE DATA

Type	Delivery (l/min)	Vacuum (mbar absolute)	atm. Press.	Pressure (bar g)	Weight (g)
NPK 04 Vacuum DC	3.3	300			200
NPK 04 Pressure DC	3.3			1.0	200
NPK 04 Vacuum DCB	3.3	300			280
NPK 04 Pressure DCB	3.3			1.0	280

NPK 04...DC

PERFORMANCE DATA

Type Order code ²⁾	Delivery at atm. pressure (l/min) ¹⁾	Max. operating pressure (bar g)	Ultimate vacuum (mbar abs.)
NPK 04 Vacuum DC	3.3	-	300
NPK 04 Pressure DC	3.3	1.0	-

¹⁾ Litre at STP

²⁾ See also „MODEL CODES FOR EASY ORDERING“

MOTOR DATA

DC motor	12V	24V
----------	-----	-----

NPK 04...DCB

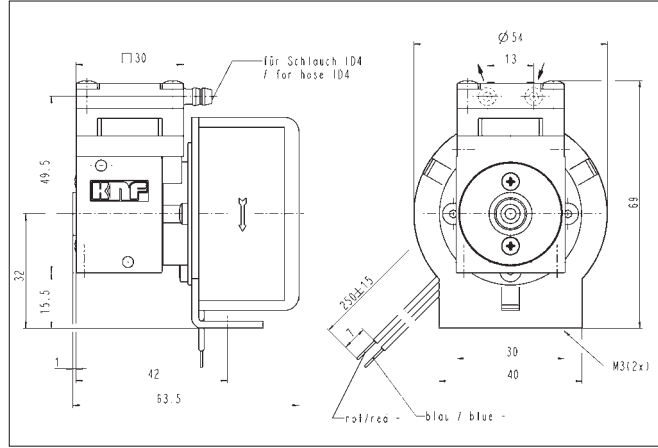
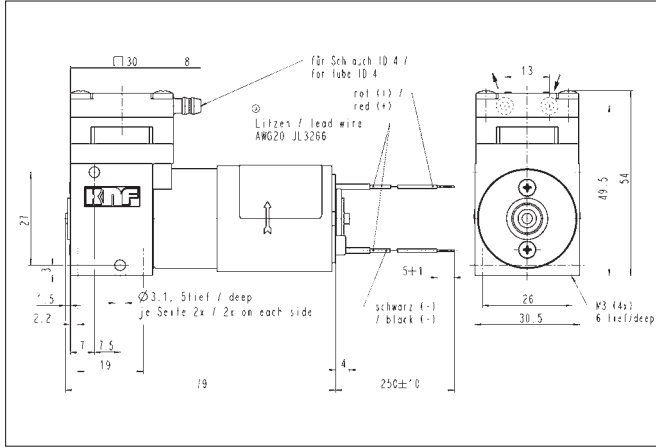
PERFORMANCE DATA (Version with brushless dc motor)

Type Order code ²⁾	Delivery at atm. pressure (l/min) ¹⁾	Max. operating pressure (bar)	Ultimate vacuum (mbar abs.)
NPK 04 Vacuum DCB	3.3	-	300
NPK 04 Pressure DCB	3.3	1.0	-

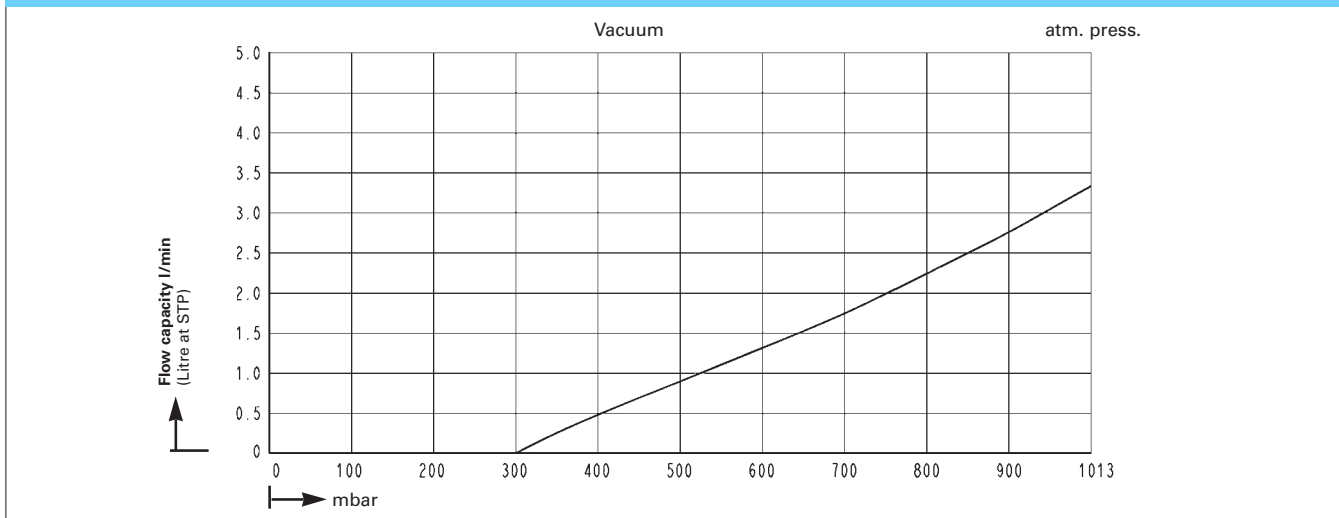
MOTOR DATA (Version with brushless dc motor)

DC motor	12V	24V
----------	-----	-----

Dimensions mm (All dimensional tolerances conform to DIN ISO 2768-1, Tolerance Class V)



NPK 04 Vacuum



NPK 04 Pressure

