

SWING PISTON VACUUM PUMPS AND COMPRESSORS FOR AIR

SECTION 300.50



NPK 25 AC



NPK 50 AC



NPK 0100 AC

Concept

The Swing Piston Pumps from KNF are based on a simple principal: As it rises and falls the piston tilts first to one side, then the other. The compression forces act along the axis of the connecting rod, so that there is no component of force acting against the cylinder wall to cause wear. Thanks to the sealing lip on the piston seal the swing piston pump runs dry, and 100% oil-free. They will evacuate, transfer and compress air without contamination.

For customers with unusual requirements the KNF Project Team produces specially tailored solutions. Use our experience to your advantage and talk to our applications engineers.

Features

- No contamination of the air due to oil-free operation
- Maintenance-free
- High level of flow-rate
- Excellent ultimate vacuum
- Very quiet and little vibration
- Ready for installation
- Can operate in any installed position

Areas of use

The Swing Piston Pumps offer a high level of performance despite their small size, as well as an excellent price performance ratio. They are used especially in the fields of medicine, environmental and production technology. These pumps are used for transferring, compressing and evacuation air, taking samples, evacuating vessels and compressing air in process systems and vessels.

PERFORMANCE DATA

Type	Delivery (l/min)	Vacuum (mbar absolute)	atm. Press.	Pressure (bar g)	Weight (kg)
NPK 25 DC	25	180		4	4.3
NPK 25 AC	30	180		5	5,2
NPK 050 AC	50	80		2	5.6
NPK 0100 AC	78	80		2	7.8

NPK25 DC Motor

PERFORMANCE DATA

Type and Order No. ²⁾	Delivery at atm. pressure (l/min) ¹⁾	Max. operating pressure (bar g)	Ultimate vacuum (mbar abs.)
NPK 25 DC	25	4	180

¹⁾ Litre at STP

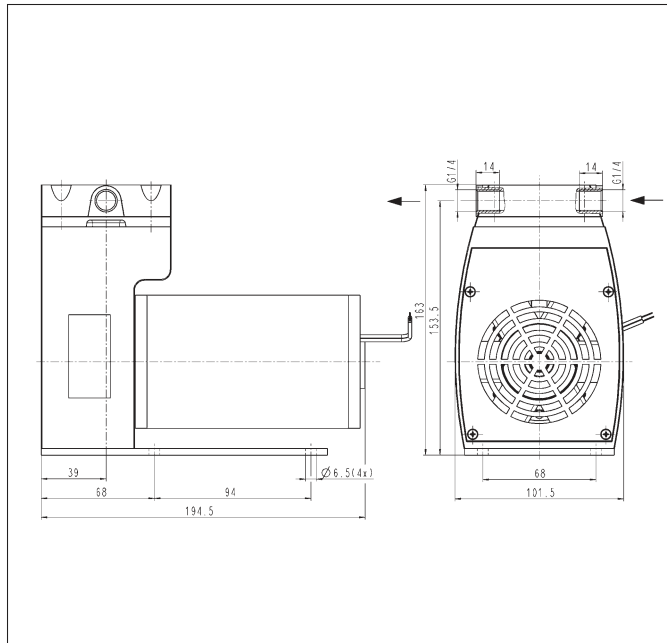
MOTORDATEN 4)

DC motor	24 V		
Operating current (A)	3,8		
Power P ₁ (W)	92		

4) Motors with other voltages, frequencies and protection classes on request.

2) See also „MODEL CODES FOR EASY ORDERING“

Dimensions mm (All dimensional tolerances conform to DIN ISO 2768-1, Tolerance Class V)



NPK25 AC Motor

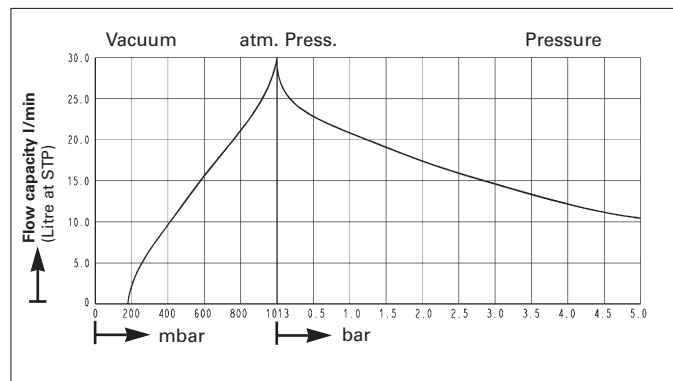
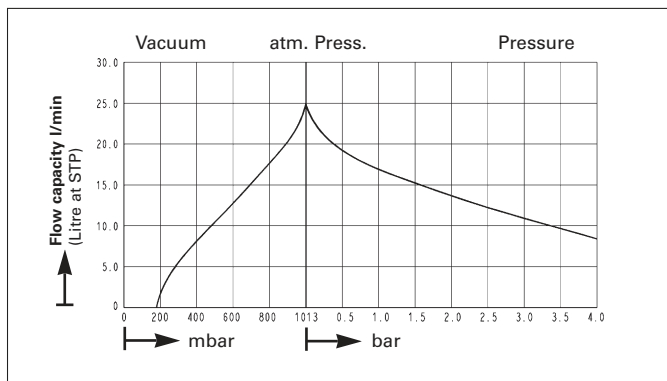
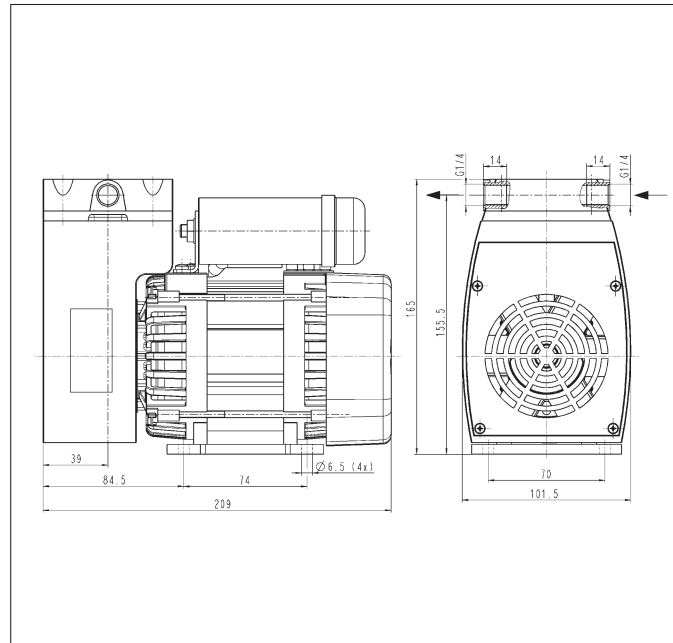
PERFORMANCE DATA

Type and Order No. ²⁾	Delivery at atm. pressure (l/min) ¹⁾	Max. operating pressure (bar g)	Ultimate vacuum (mbar abs.)
NPK 30 AC	30	5	180

¹⁾ Litre at STP

MOTOR DATA 4)

Protection class	IP 20		
Voltage/Frequencies (V/Hz)	~230/50		
Power P ₁ (W)	230		
Operating current (A)	1.2		



NPK 050 AC Motor

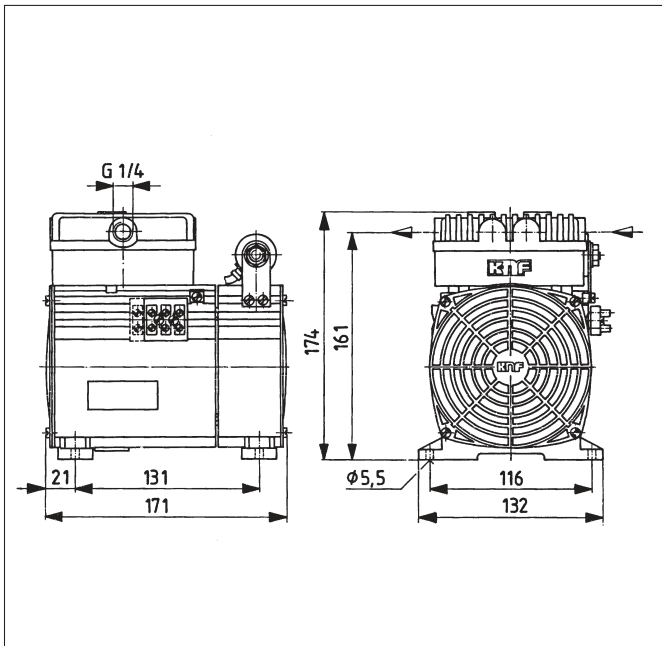
PERFORMANCE DATA

Type and Order No. ²⁾	Delivery at atm. pressure (l/min) ¹⁾	Max. operating pressure (bar g)	Ultimate vacuum (mbar abs.)
NPK 050 AC	50	2	80

¹⁾ Litre at STP

MOTOR DATA ⁴⁾

Protection class	IP 20		
Voltage/Frequencies (V/Hz)	230/50		
Power P ₁ (W)	240		
Operating current (A)	1.3		



NPK 0100 AC

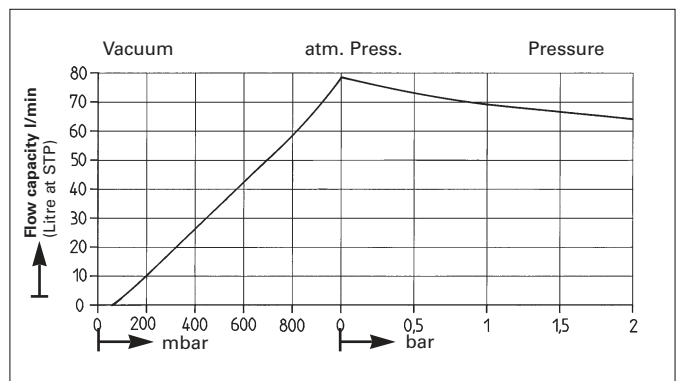
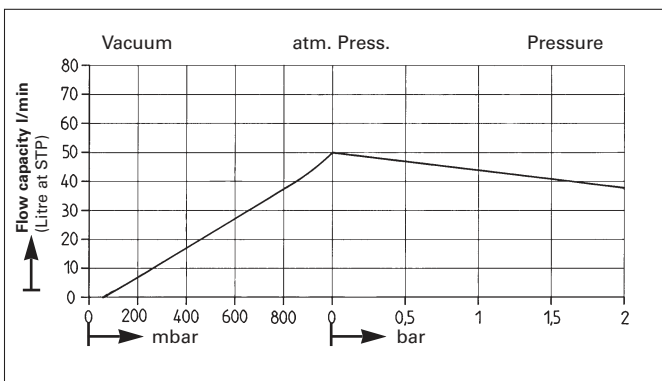
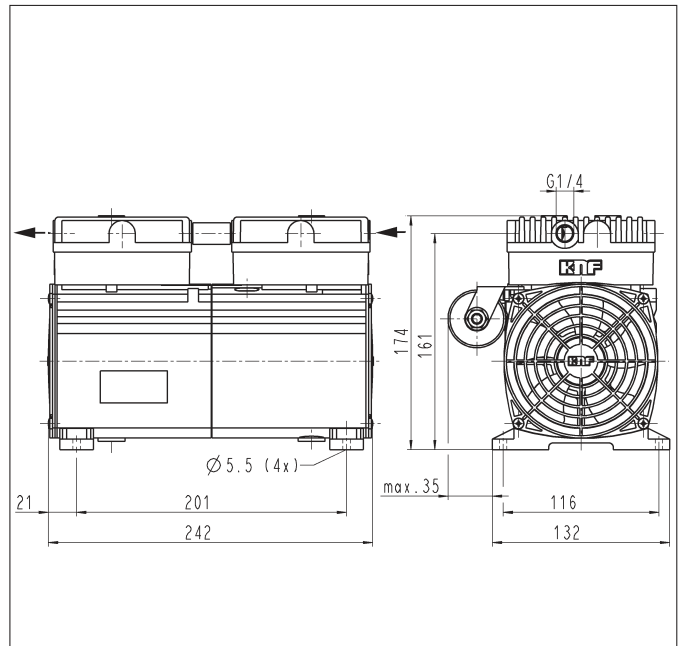
PERFORMANCE DATA

Type and Order No. ²⁾	Delivery at atm. pressure (l/min) ¹⁾	Max. operating pressure (bar g)	Ultimate vacuum (mbar abs.)
NPK 0100 AC	78	2	80

¹⁾ Litre at STP

MOTOR DATA ⁴⁾

Protection class	IP 20		
Voltage/Frequencies (V/Hz)	230/50		
Power P ₁ (W)	320		
Operating current (A)	1.5		



KNF NEUBERGER, INC.

Two Black Forest Road
 Trenton, New Jersey 08691-1810
 Phone: 609-890-8600 · Fax: 609-890-8323
 Web: <http://www.knf.com>

KNF reserves the right to make changes. Drawings for reference only.



SECTION 300.50 (0807)