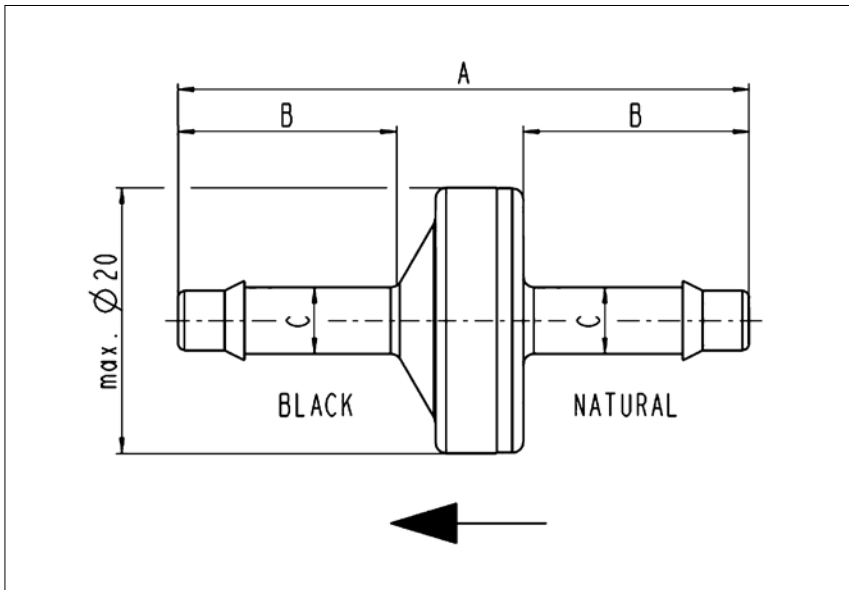


# KNF NON-RETURN VALVES FOR GASES AND LIQUIDS



## Concept

More safety for your application,  
simple connection:  
KNF non-return valves for use with  
vacuum and pressure.

## Features

- Material:
- housing made of polyamide
  - sealing element made of fluorosilicone
- Temperature-resistant:
- from -29 °C up to +99 °C

**KNF Neuberger GmbH**  
Alter Weg 3  
D 79112 Freiburg  
Tel. +49 7664 5909 0  
Fax +49 7664 5909 99  
info@knf.de  
www.knf.de

KNF NON-RETURN VALVES					
Order No.	Material	Dimensions (mm)			max. pressure
		A	B	C	
033970	PA/Fluorosilicone	43 ± 1	16.5 ± 1	ø 5	3.5 bar g
301650	PA/EPDM	43 ± 1	16.5 ± 1	ø 5	3.5 bar g
301652	PA/Fluorosilicone	39 ± 1	15.5 ± 1	ø 7	1 bar g
301651	PA/EPDM	39 ± 1	15.5 ± 1	ø 7	1 bar g