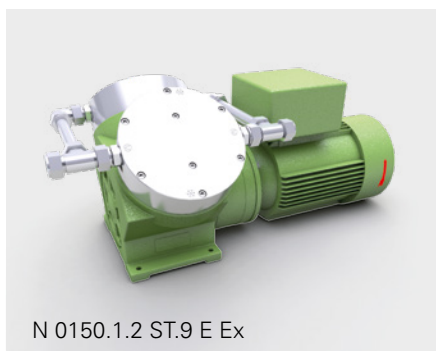


N 0150 AND N 0150.1.2 SERIES EXPLOSION PROOF PUMPS



N 0150.1.2 ST.9 E Ex



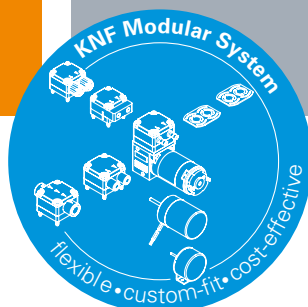
ADVANTAGES

- High chemical resistance
- Durable even with difficult operating conditions
- High level of gas tightness: approx. 6×10^{-3} mbar l/s
- High level of performance in a compact size

POSSIBLE AREAS OF USE

- Environmental monitoring – especially in potentially explosive fields
- Process industry
- Chemical industry
- Energy technology
- Maritime – especially for engine monitoring and emission measurement

Please visit our website
www.knf.com
to get more information



PERFORMANCE DATA

Series model	N 0150		N 0150.1.2	
	AT.9 E Ex	ST.9 E Ex	AT.9 E Ex	ST.9 E Ex
Pump head	Aluminum	Stainless steel	Aluminum	Stainless steel
Diaphragm	PTFE-coated			
Valves	Stainless steel			
Flow rate at atm. pressure (l/min)	120		220	
Ultimate vacuum (mbar abs.)	115			
Max. operating pressure (bar rel./psig)	1.0/14.5			
Permissible ambient temperature (°C)	+5 ... +40			
Permissible media temperature (°C)	+5 ... +40			
Weight (kg/lbs)				
with Motor Ex II 2G Ex e IIC T3 Gb	31.3/68.9	35.5/78.1	39.1/86.0	50.5/111.1
with Motor Ex II 2G Ex de IIC T4	50.3/110.7	54.5/120.0	58.1/127.8	69.5/153.0

ELECTRICAL DATA

Voltage (V)	230/400	
Motor	Three-phase motor	
Protection class motor	IP 55	
Frequency (Hz)	50	
Power P ₁ (W)	1100	
Explosion protection three-phase motor	Ex II 2G Ex e IIC T3 Gb	Ex II 2G Ex de IIC T4
I _{max} (A)	4.85/2.80	4.15/2.40
Explosion protection pump parts	Ex II 2G IIB-T4 X	

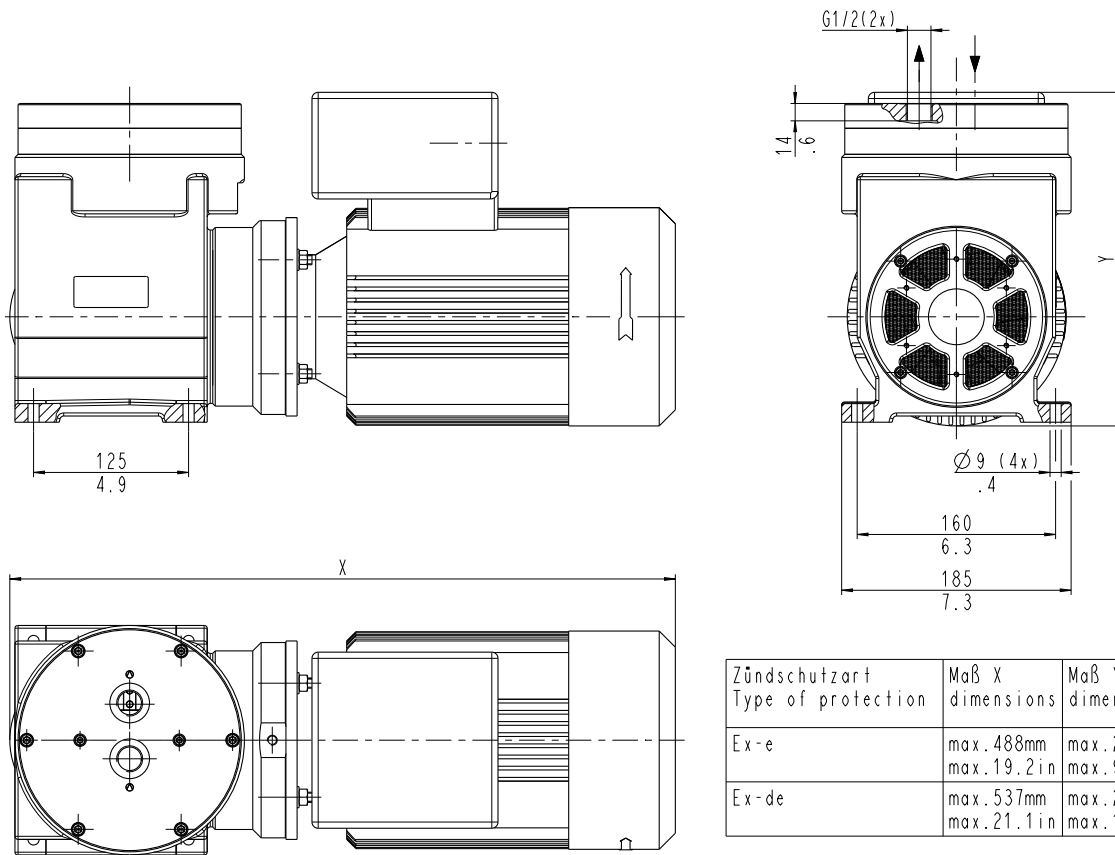
N 0150 AT.9 E EX | ST.9 E EX

PERFORMANCE DATA

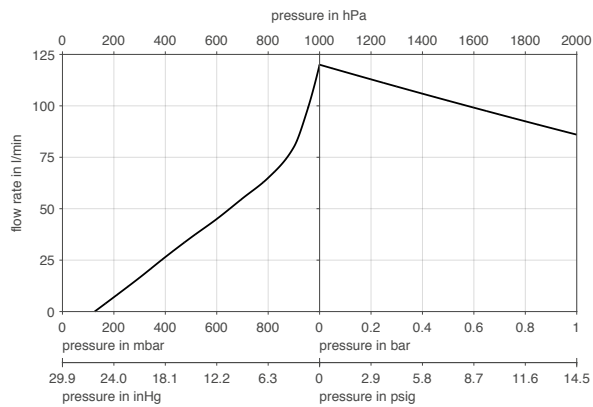
Series model	Flow rate at atm. pressure (l/min) ¹⁾	Max. operating pressure (bar rel./psig)	Ultimate vacuum (mbar abs.)
N 0150 AT.9 E Ex	120	1.0/14.5	115
N 0150 ST.9 E Ex	120	1.0/14.5	115

¹⁾ Liter at STP

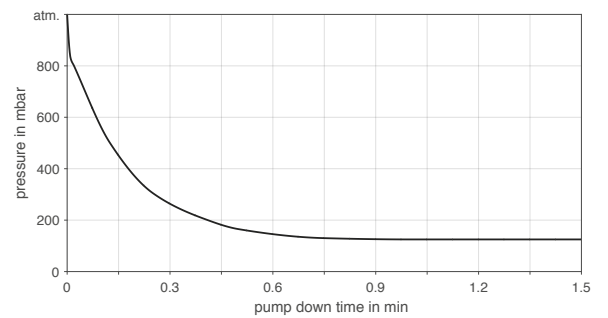
N 0150 _T.9 E EX



N 0150 _T.9 E EX



N 0150 _T.9 E EX | PUMP DOWN TIME FOR 20 LITER VESSEL



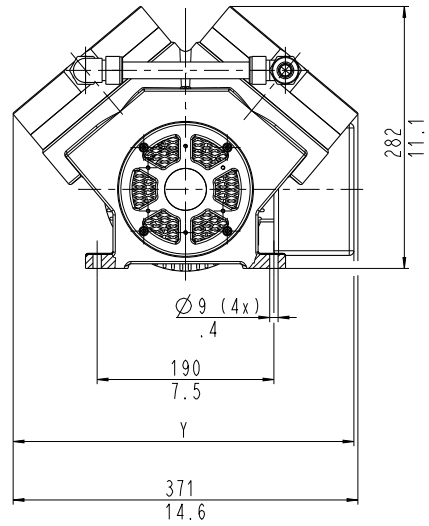
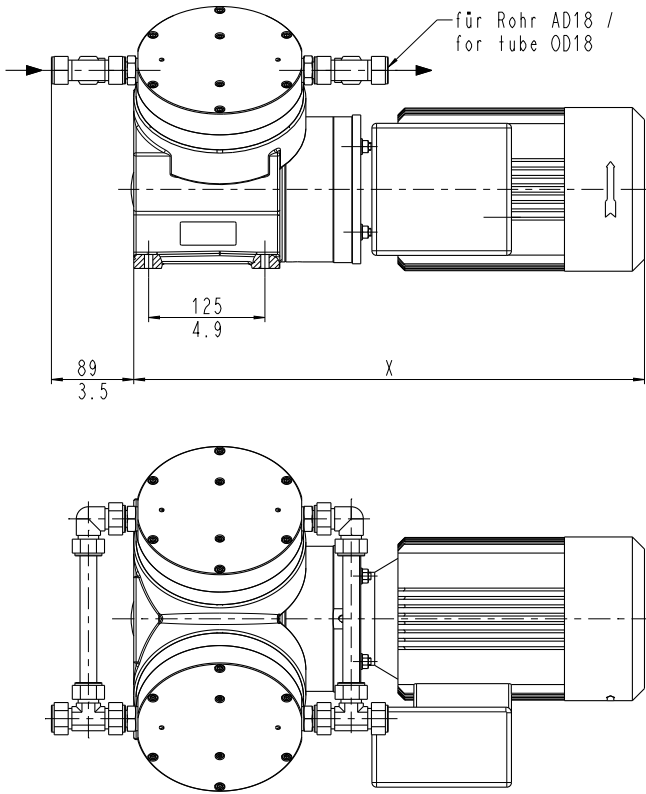
N 0150.1.2 AT.9 E EX | ST.9 E EX

PERFORMANCE DATA

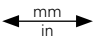
Series model	Flow rate at atm. pressure (l/min) ¹⁾	Max. operating pressure (bar rel./psig)	Ultimate vacuum (mbar abs.)
N 0150.1.2 AT.9 E Ex	220	1.0/14.5	115
N 0150.1.2 ST.9 E Ex	220	1.0/14.5	115

¹⁾ Liter at STP

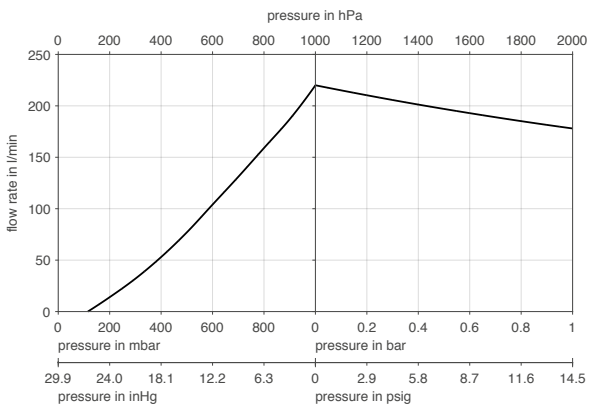
N 0150.1.2 _T.9 E EX



Zündschutzart Type of protection	Maß X dimensions	Maß Y dimensions
Ex-e	max. 505mm max. 19.8in	max. 340mm max. 13.3in
Ex-de	max. 549mm max. 21.6in	max. 366mm max. 14.4in

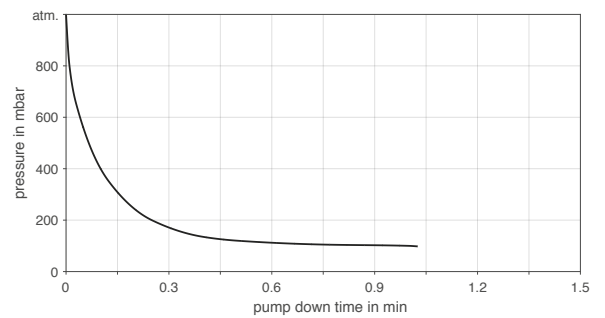


N 0150.1.2 _T.9 E EX



N 0150.1.2 _T.9 E EX |

PUMP DOWN TIME FOR 20 LITER VESSEL



The performance values for the series models shown on this data sheet were determined under test conditions. The actual performance values may differ and depend in particular on the usage conditions and therefore on the specific application, on the parameters of the components involved in the user's system and on any technical modifications carried out which deviate from the standard configuration or the as delivered condition.

If individual designs have been created for specific customers on the basis of series models, other technical performance data may apply. Before operation begins, the relevant operating instructions and/or assembly or installation instructions should be read and the safety information contained in these instructions should be noted. KNF reserves the right to make changes to the product and the associated documentation without prior notice to the customer.



www.knf.com