

N 026 SERIES EXPLOSION PROOF PUMPS



N 026 ST.9 E Ex

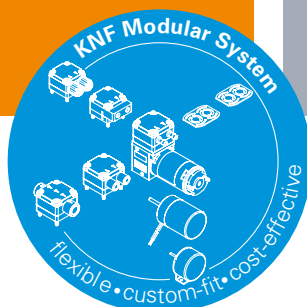


ADVANTAGES

- High chemical resistance
- Durable even with difficult operating conditions
- High level of gas tightness: approx. 6×10^{-3} mbar x l/s

POSSIBLE AREAS OF USE

- Environmental monitoring – especially in potentially explosive fields
- Process industry
- Chemical industry



Please visit our website
www.knf.com
to get more information

PERFORMANCE DATA

Series model	N 026				N 026.1.2			
	AT.9 E Ex		ST.9 E Ex		AT.9 E Ex		ST.9 E Ex	
Pump head	Aluminum		Stainless steel		Aluminum		Stainless steel	
Diaphragm	PTFE-coated							
Valves	Stainless steel							
Flow rate at atm. pressure (l/min)	15.0				26.0			
Ultimate vacuum (mbar abs.)	100							
Max. operating pressure (bar rel./psig)	2.5/36.3				2.0/29.0			
Permissible ambient temperature (°C)	+5 ... +40							
Permissible media temperature (°C)	+5 ... +40							
Weight (kg/lbs)	7.6/16.7		8.9/19.6		9.3/20.5		11.4/25.1	

ELECTRICAL DATA

Voltage (V)	230		230/400		230		230/400	
	Capacitor motor	Three-phase motor	Capacitor motor	Three-phase motor	Capacitor motor	Three-phase motor	Capacitor motor	Three-phase motor
Protection class motor	IP 44							
Frequency (Hz)	50							
Power P ₁ (W)	70.0							
I _{max} (A)	0.96	0.50/0.29	0.96	0.50/0.29	0.96	0.50/0.29	0.96	0.50/0.29
Explosion protection pump parts	Ex II 2G c IIB+H2 T4 X							
Explosion protection capacitor motor	Ex II 2G Ex eb IIC-T3 Gb							
Explosion protection three-phase motor	Ex II 2G Ex eb IIC-T4 Gb							

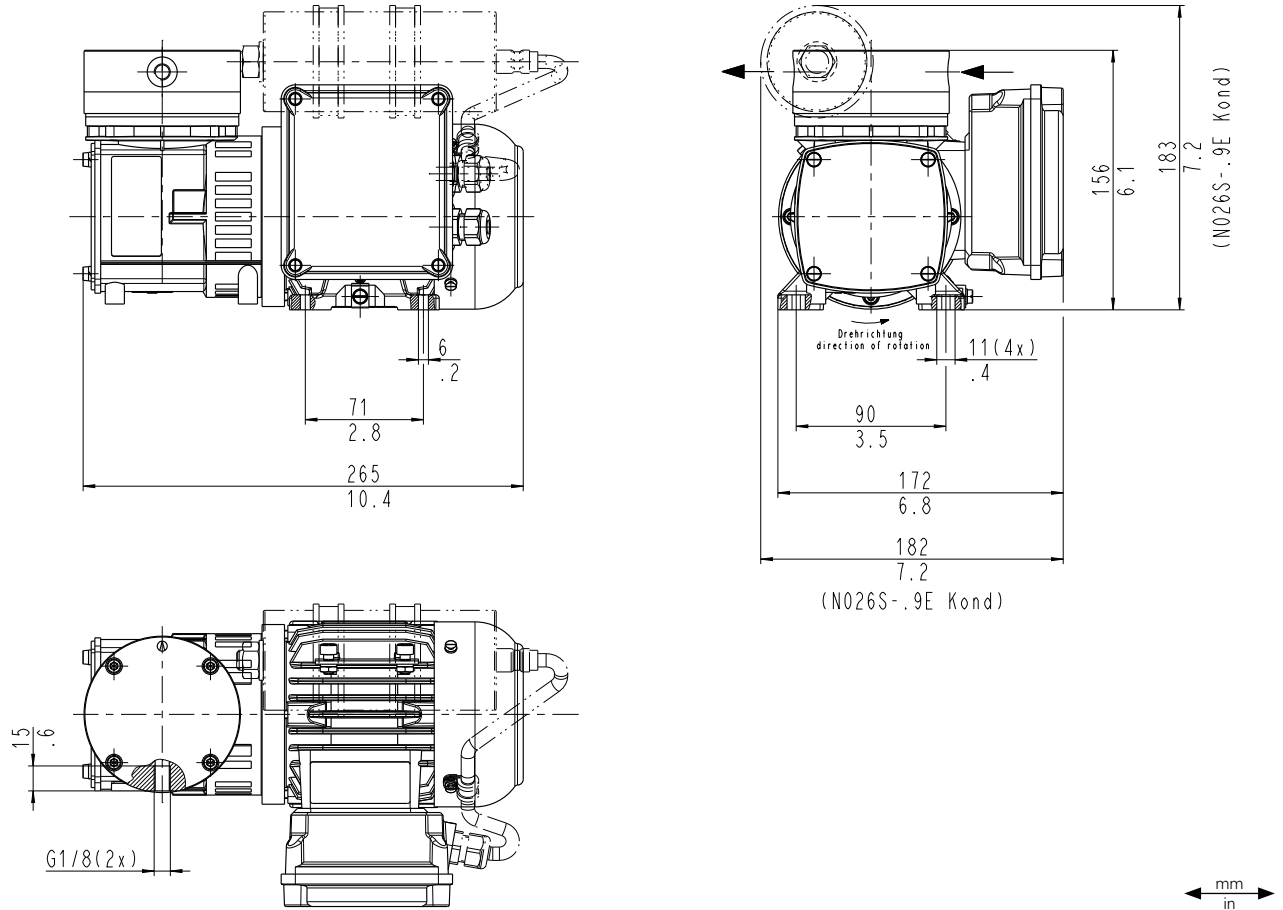
N 026 AT.9 E EX | ST.9 E EX

PERFORMANCE DATA

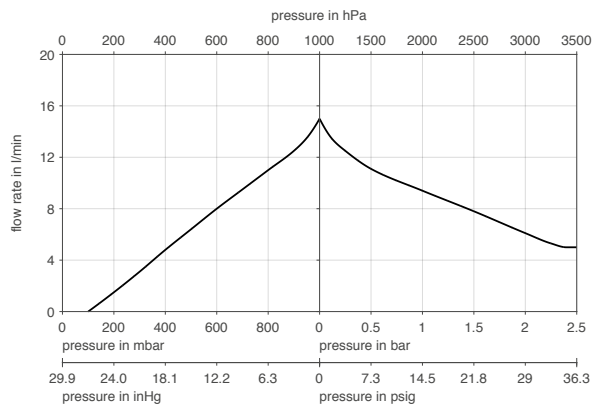
Series model	Flow rate at atm. pressure (l/min) ¹⁾	Max. operating pressure (bar rel./psig)	Ultimate vacuum (mbar abs.)
N 026 AT.9 E Ex	15.0	2.5/36.3	100
N 026 ST.9 E Ex	15.0	2.5/36.3	100

¹⁾ Liter at STP

N 026 _T.9 E EX



N 026 _T.9 E EX



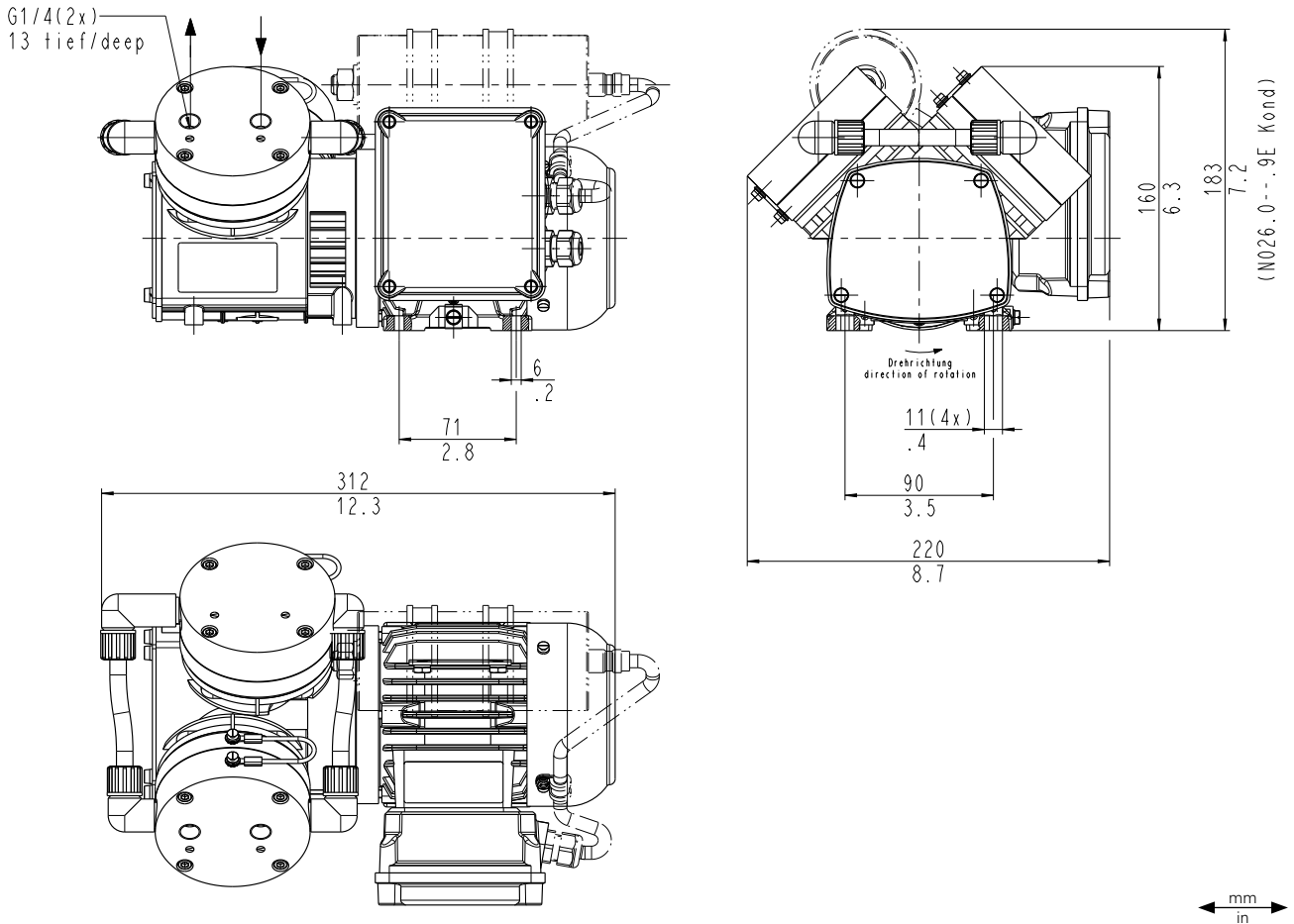
N 026.1.2 AT.9 E EX | ST.9 E EX

PERFORMANCE DATA

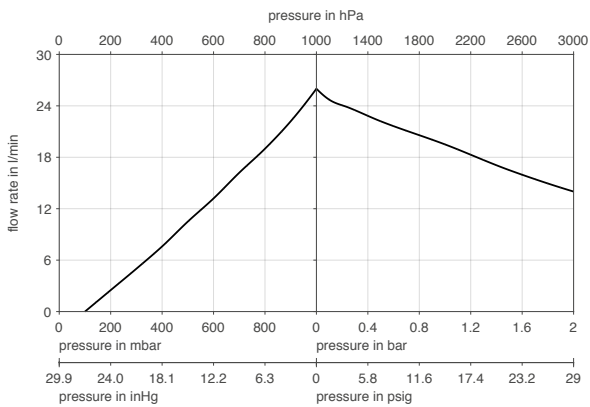
Series model	Flow rate at atm. pressure (l/min) ¹⁾	Max. operating pressure (bar rel./psig)	Ultimate vacuum (mbar abs.)
N 026.1.2 AT.9 E Ex	26.0	2.0/29.0	100
N 026.1.2 ST.9 E Ex	26.0	2.0/29.0	100

¹⁾ Liter at STP

N 026.1.2 _T.9 E EX



N 026.1.2 _T.9 E EX



The performance values for the series models shown on this data sheet were determined under test conditions. The actual performance values may differ and depend in particular on the usage conditions and therefore on the specific application, on the parameters of the components involved in the user's system and on any technical modifications carried out which deviate from the standard configuration or the as delivered condition.

If individual designs have been created for specific customers on the basis of series models, other technical performance data may apply. Before operation begins, the relevant operating instructions and/or assembly or installation instructions should be read and the safety information contained in these instructions should be noted. KNF reserves the right to make changes to the product and the associated documentation without prior notice to the customer.



www.knf.com