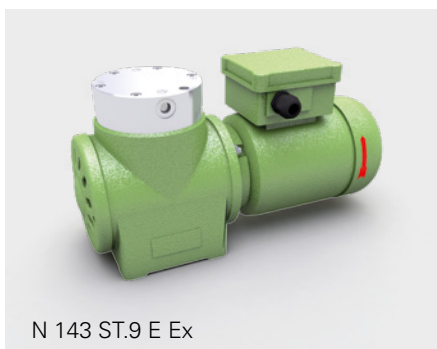


N 143 SERIES EXPLOSION PROOF PUMPS



N 143 ST.9 E Ex



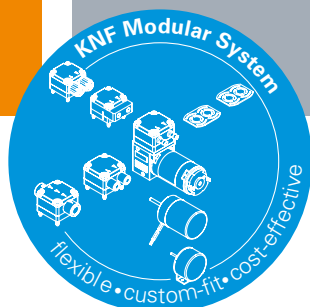
ADVANTAGES

- High chemical resistance
- Durable even with difficult operating conditions
- High level of gas tightness: approx. 6×10^{-9} mbar x l/s
- High level of performance in a compact size

POSSIBLE AREAS OF USE

- Environmental monitoring – especially in potentially explosive fields
- Process industry
- Chemical industry
- Energy technology
- Maritime – especially for engine monitoring and emission measurement

Please visit our website
www.knf.com
to get more information



PERFORMANCE DATA			
Series model	N 143		
Material design	AT.9 E Ex	ST.9 E Ex	
Pump head	Aluminum	Stainless steel	
Diaphragm	PTFE-coated		
Valves	Stainless steel		
Flow rate at atm. pressure (l/min)	27.0		
Ultimate vacuum (mbar abs.)	100		
Max. operating pressure (bar rel./psig)	4.0/58.0		
Permissible ambient temperature (°C)	+5 ... +40		
Permissible media temperature (°C)	+5 ... +40		
Weight (kg/lbs)			
with motor Ex II 2G Ex e IIC T3 Gb	15.7/34.5		18.0/39.6
with motor Ex II 2G Ex de IIC T4, Ex II 2G Ex d IIC T4	24.5/53.9		26.8/59.0
ELECTRICAL DATA			
Voltage (V)	230/400		
Motor	Three-phase motor		
Protection class motor	IP 55		
Frequency (Hz)	50		
Explosion protection three-phase motor	Ex II 2G Ex e IIC T3 Gb	Ex II 2G Ex de IIC T4	Ex II 2G Ex d IIC T4
Power P ₁ (W)	370	250	250
I _{max} (A)	1.84/1.06	1.19/0.69	1.19/0.69
Explosion protection pump parts	Ex II 2G IIB-T4 X		

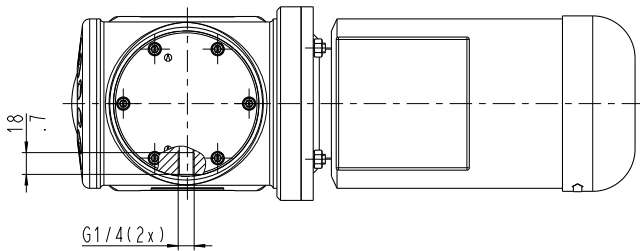
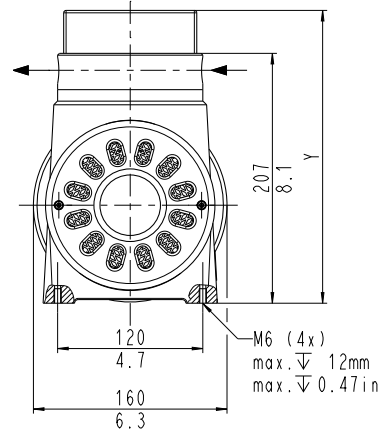
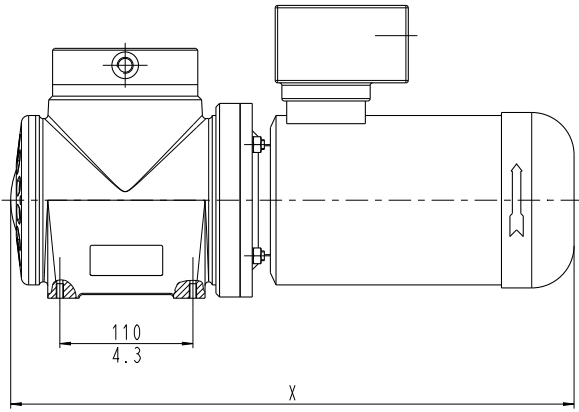
N 143 AT.9 E EX | ST.9 E EX

PERFORMANCE DATA

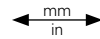
Series model	Flow rate at atm. pressure (l/min) ¹⁾	Max. operating pressure (bar rel./psig)	Ultimate vacuum (mbar abs.)
N 143 AT.9 E Ex	27.0	4.0/58.0	100
N 143 ST.9 E Ex	27.0	4.0/58.0	100

¹⁾ Liter at STP

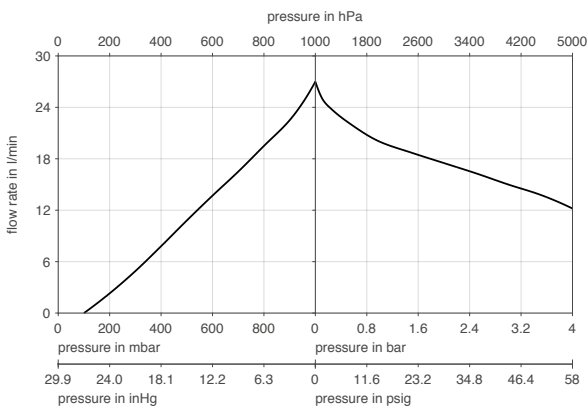
N 143_T.9 E EX



Zündschutzart Type of protection	Maß X dimensions	Maß Y dimensions
Ex-d	max. 465mm max. 18.3in	max. 242mm max. 9.5in
Ex-de	max. 465mm max. 18.3in	max. 242mm max. 9.5in
Ex-e	max. 401mm max. 15.7in	max. 212mm max. 8.3in



N 143_T.9 E EX



The performance values for the series models shown on this data sheet were determined under test conditions. The actual performance values may differ and depend in particular on the usage conditions and therefore on the specific application, on the parameters of the components involved in the user's system and on any technical modifications carried out which deviate from the standard configuration or the as delivered condition.

If individual designs have been created for specific customers on the basis of series models, other technical performance data may apply.

Before operation begins, the relevant operating instructions and/or assembly or installation instructions should be read and the safety information contained in these instructions should be noted.

KNF reserves the right to make changes to the product and the associated documentation without prior notice to the customer.



www.knf.com