

N 012 SERIES | TEMPERATURE-RESISTANT AND HEATED GAS SAMPLING PUMPS



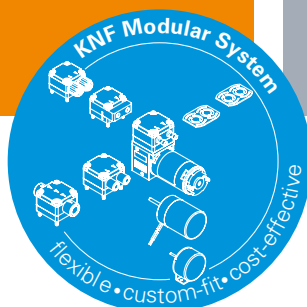
N 012 ST.16 E

ADVANTAGES

- Temperature-resistant (.16), electrically heated with thermostatic temperature control (.11) or with electronic temperature control (.26) for transferring hot process gases of up to 240 °C
- High chemical resistance
- Homogeneous temperature distribution throughout the entire pump head
- No condensation in the pump head

POSSIBLE AREAS OF USE

- Environmental monitoring – especially motor test benches in automobile industry
- Analytical technology
- Research



Please visit our website
www.knf.com
 to get more information

PERFORMANCE DATA

Series model	N 012			
Material design	AT.16 E	ST.16 E	ST.11 E	ST.26 E
Pump head	Aluminum	Stainless steel		
Diaphragm	PTFE			
Valves	PTFE			
Flow rate at atm. pressure (l/min)	10.5			
Ultimate vacuum (mbar abs.)	240			
Max. operating pressure (bar rel./psig)	1.5/21.8			
Permissible ambient temperature (°C)	+5 ... +40			
Permissible media temperature (°C)	+5 ... +240			
Weight (kg/lbs)	3.4/7.5	4.0/8.8	4.2/9.2	

ELECTRICAL DATA

Voltage (V)	230
Motor	Capacitor motor
Protection class motor	IP 54
Frequency (Hz)	50
Power P ₁ (W)	80
I _{max} (A)	0.40

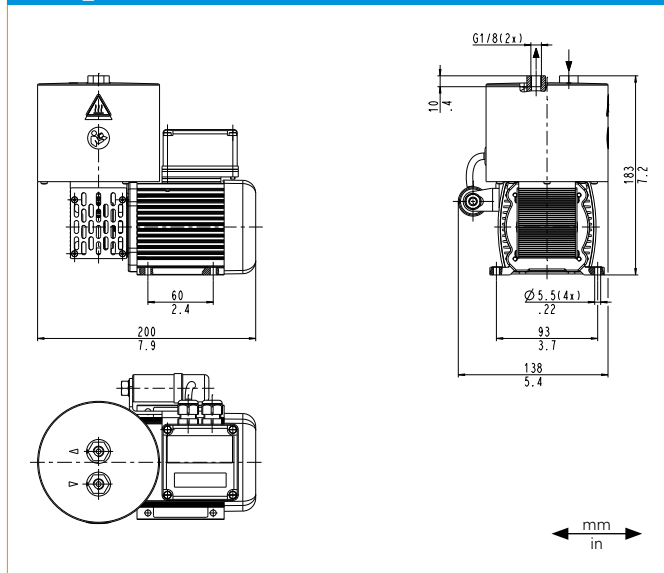
N 012 AT.16 E | ST.16 E

PERFORMANCE DATA

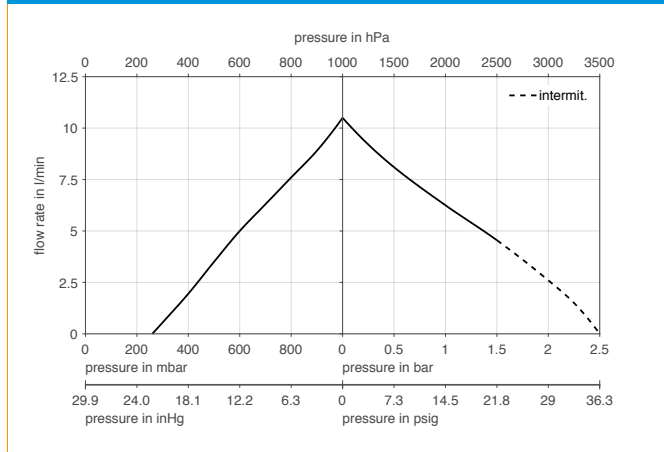
Series model	Flow rate at atm. pressure (l/min) ¹⁾	Max. operating pressure (bar rel./psig)	Ultimate vacuum (mbar abs.)
N 012 AT.16 E	10.5	1.5/21.8	240
N 012 ST.16 E	10.5	1.5/21.8	240

¹⁾ Liter at STP

N 012 _T.16 E



N 012 _T.16 E



N 012 ST.11 E | ST.26 E

PERFORMANCE DATA

Series model	Flow rate at atm. pressure (l/min) ¹⁾	Max. operating pressure (bar rel./psig)	Ultimate vacuum (mbar abs.)
N 012 ST.11 E	10.5	1.5/21.8	240
N 012 ST.26 E	10.5	1.5/21.8	240

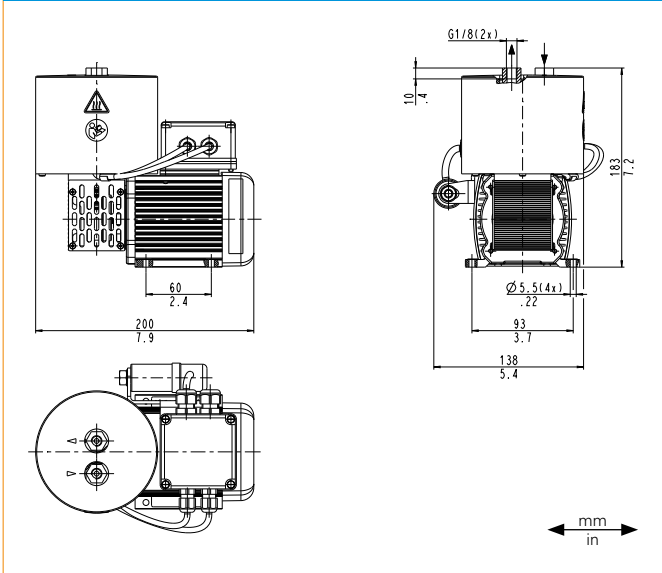
¹⁾ Liter at STP

HEATING: N 012 ST.11 E AND N 012 ST.26 E

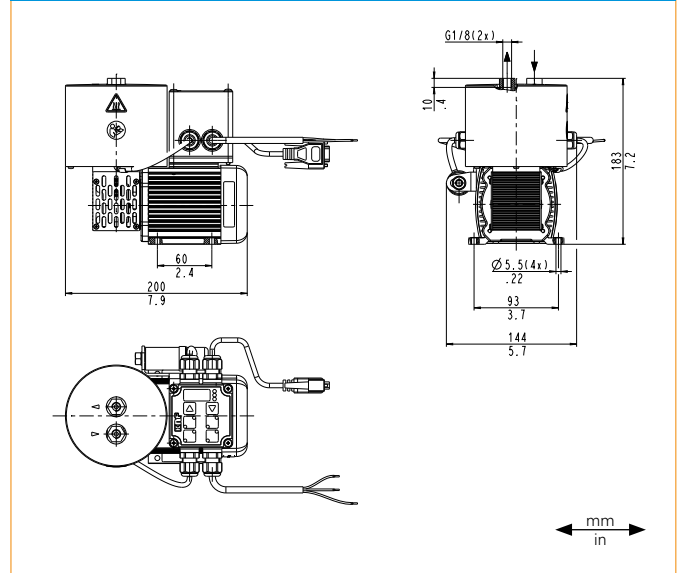
Protection class	IP 20
Voltage/Frequencies (V/Hz)	230/50
Power P ₁ (W)	140
I _{max} (A)	0.60
Heating temperature (°C)	240

KNF offers the pump N 012 ST.26 E with an RS 232 interface. The interface protocol can be made available for applications which require external control.

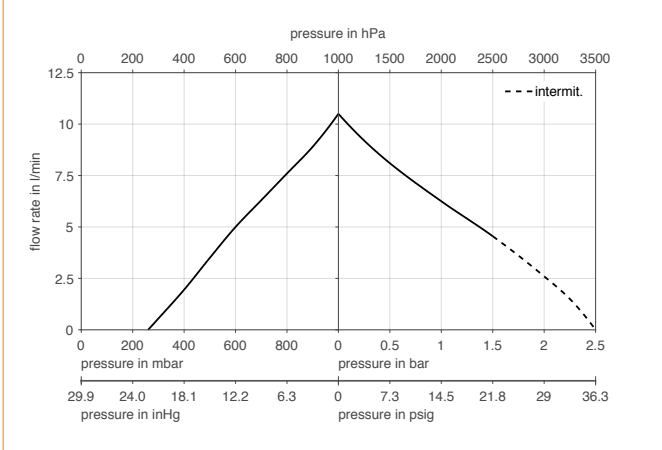
N 012 ST.11 E



N 012 ST.26 E



N 012 ST.___ E



ACCESSORIES	
Description	Part No.
Wrench for retainer plate	018812

SPARE PARTS	
Description	Part No.
Valve plate	049733
Diaphragm	049734
O-ring	055675
Disk spring	056019
Fuse temperature control	023901

The performance values for the series models shown on this data sheet were determined under test conditions. The actual performance values may differ and depend in particular on the usage conditions and therefore on the specific application, on the parameters of the components involved in the user's system and on any technical modifications carried out which deviate from the standard configuration or the as delivered condition.

If individual designs have been created for specific customers on the basis of series models, other technical performance data may apply. Before operation begins, the relevant operating instructions and/or assembly or installation instructions should be read and the safety information contained in these instructions should be noted. KNF reserves the right to make changes to the product and the associated documentation without prior notice to the customer.



www.knf.com