

NPK 25, NPK 050 AND NPK 0100 SERIES SWING PISTON VACUUM PUMPS AND COMPRESSORS



NPK 25 AC



NPK 050 AC



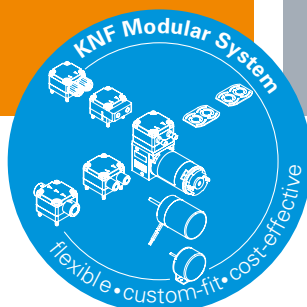
NPK 0100 AC

ADVANTAGES

- High level of performance in a compact size
- High pressure up to 5 bar rel./72.5 psig
- Robust design

POSSIBLE AREAS OF USE

- Medical technology – particularly for independent supply of compressed air
- Environmental technology – especially for scavenging air



Please visit our website
www.knf.com
to get more information

PERFORMANCE DATA

Series model	NPK 25 DC	NPK 25 AC	NPK 050 AC	NPK 0100 AC
Flow rate at atm. pressure (l/min)	25.0	30.0	50.0	78.0
Ultimate vacuum (mbar abs.)	180		80	
Max. operating pressure (bar rel./psig)	4.0/58.0	5.0/72.5	2.0/29.0	
Permissible ambient temperature (°C)	+5 ... +40			
Permissible media temperature (°C)	+5 ... +40			
Weight (kg/lbs)	4.3/9.5	5.2/11.4	5.6/12.3	7.8/17.2

ELECTRICAL DATA

Voltage (V)	24	230		
Motor	DC motor	Capacitor motor		
Protection class motor	IP 50	IP 20		
Frequency (Hz)	-	50		
Power P ₁ (W)	92.0	230	240	320
I _{max} (A)	3.80	1.20	1.30	1.50

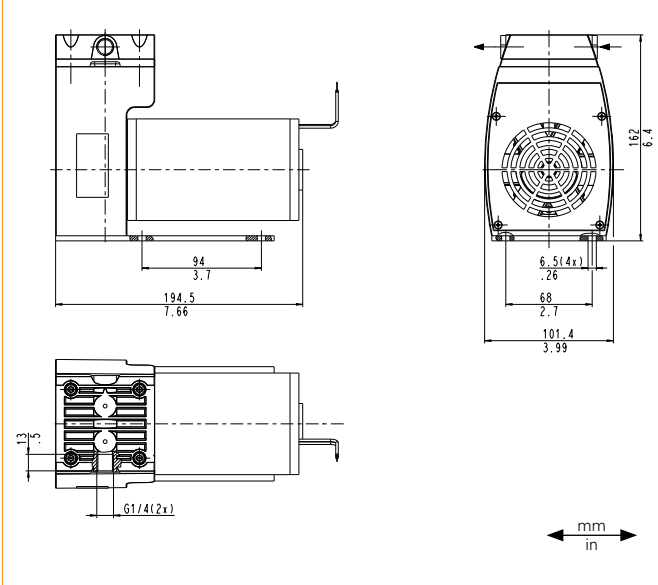
NPK 25 DC

PERFORMANCE DATA

Series model	Flow rate at atm. pressure (l/min) ¹⁾	Max. operating pressure (bar rel./psig)	Ultimate vacuum (mbar abs.)
NPK 25 DC	25.0	4.0/58.0	180

¹⁾ Liter at STP

NPK 25 DC



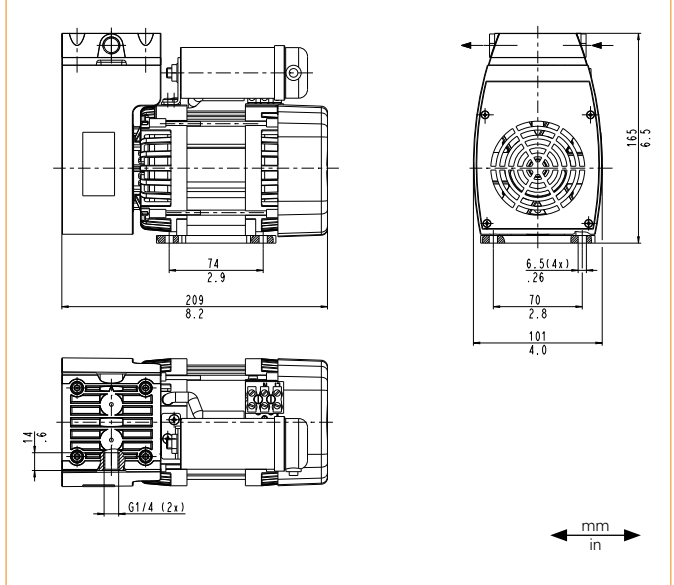
NPK 25 AC

PERFORMANCE DATA

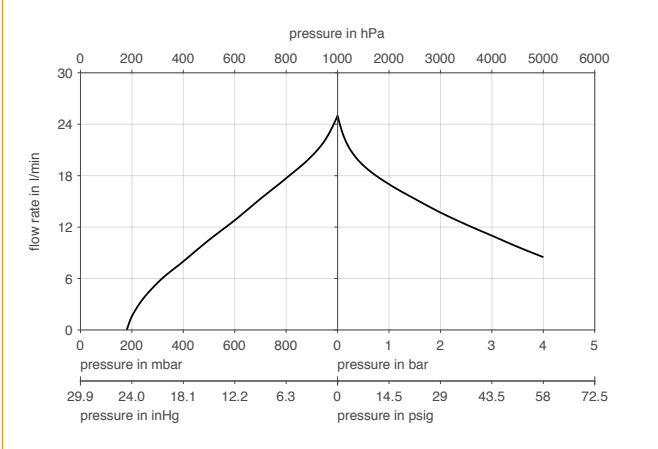
Series model	Flow rate at atm. pressure (l/min) ¹⁾	Max. operating pressure (bar rel./psig)	Ultimate vacuum (mbar abs.)
NPK 25 AC	30.0	5.0/72.5	180

¹⁾ Liter at STP

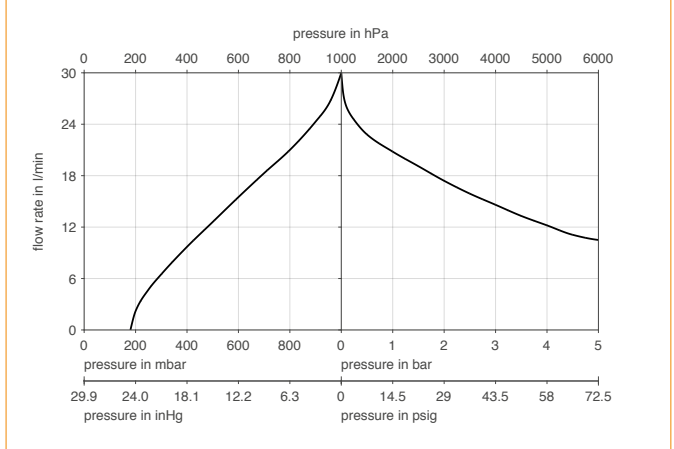
NPK 25 AC



NPK 25 DC



NPK 25 AC



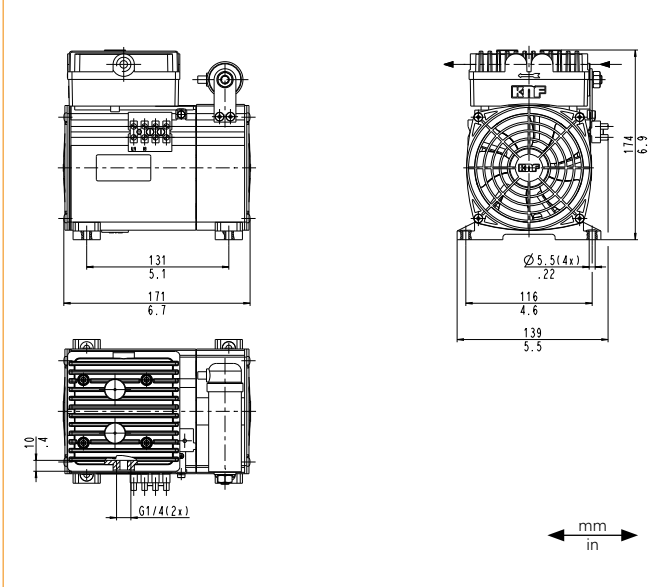
NPK 050 AC

PERFORMANCE DATA

Series model	Flow rate at atm. pressure (l/min) ¹⁾	Max. operating pressure (bar rel./psig)	Ultimate vacuum (mbar abs.)
NPK 050 AC	50.0	2.0/29.0	80

¹⁾ Liter at STP

NPK 050 AC



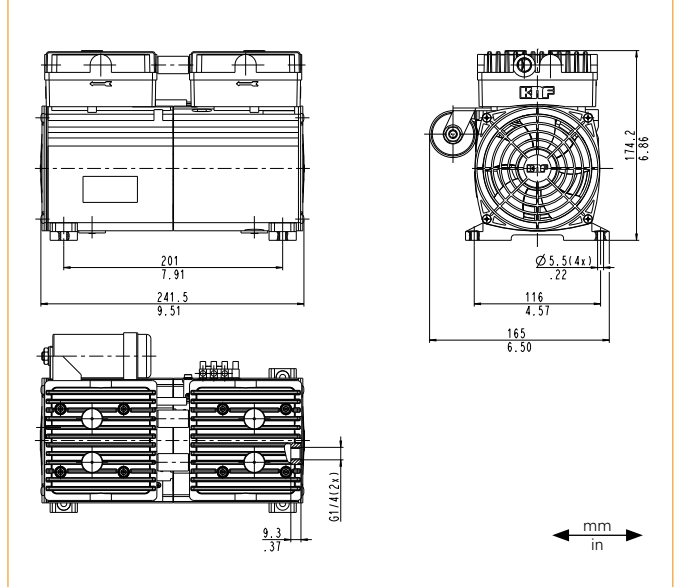
NPK 0100 AC

PERFORMANCE DATA

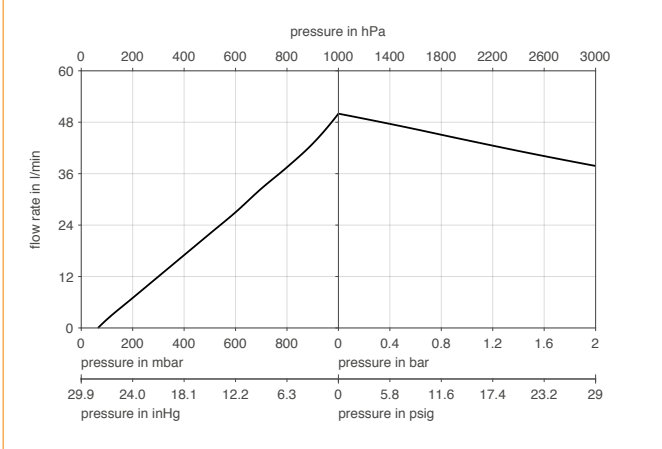
Series model	Flow rate at atm. pressure (l/min) ¹⁾	Max. operating pressure (bar rel./psig)	Ultimate vacuum (mbar abs.)
NPK 0100 AC	78.0	2.0/29.0	80

¹⁾ Liter at STP

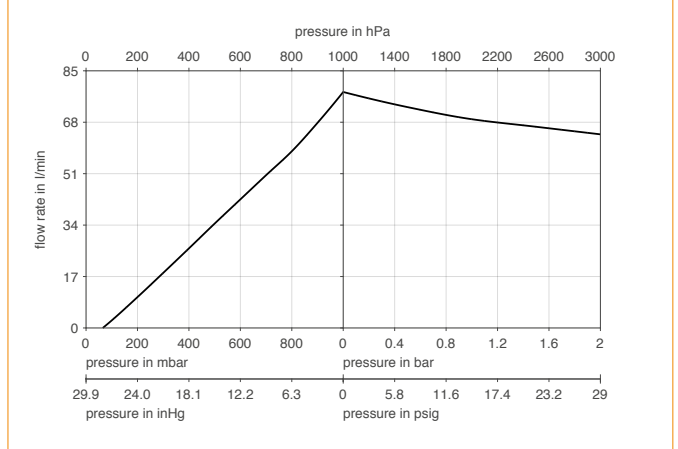
NPK 0100 AC



NPK 050 AC



NPK 0100 AC



ACCESSORIES

Description	Part No.	Details
Silencer/Inlet filter G 1/4	007007	NPK 25
Silencer/Inlet filter G 1/4	020381	NPK 050
Silencer/Inlet filter G 1/4	020414	NPK 0100
Hose connector G 1/4 for tube ID 9 mm	000362	NPK 25 050 0100
Gasket for hose connector	001818	NPK 25 050 0100

SPARE PARTS

Description	Part No.	Details
Spare parts NPK 25		
Piston seal	112635	
Valve plate	113984	
Countersunk screw	110712	
O-ring D 32 x 2.0	116407	
O-ring D 8.0 x 1.0	116408	
O-ring D 50 x 2.0	006709	
Spare parts NPK 050 0100		
Piston seal	024822	
Reed valves	017592	
Countersunk screw NPK 050	024848	
Countersunk screw NPK 0100	024847	
Gasket	017410	
O-ring D 70 x 2.0	002443	

The performance values for the series models shown on this data sheet were determined under test conditions. The actual performance values may differ and depend in particular on the usage conditions and therefore on the specific application, on the parameters of the components involved in the user's system and on any technical modifications carried out which deviate from the standard configuration or the as delivered condition.

If individual designs have been created for specific customers on the basis of series models, other technical performance data may apply.

Before operation begins, the relevant operating instructions and/or assembly or installation instructions should be read and the safety information contained in these instructions should be noted.

KNF reserves the right to make changes to the product and the associated documentation without prior notice to the customer.



www.knf.com