

# N 814 SERIES VACUUM PUMPS AND COMPRESSORS



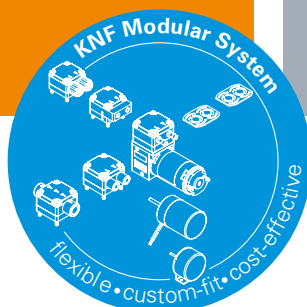
N 814 KNE

## ADVANTAGES

- High chemical resistance
- Robust design
- Copes well with vapor and condensation

## POSSIBLE AREAS OF USE

- Stationary emission measurement technology
- Mobile/portable gas measurement technology
- Instrumental analysis
- Medical technology



Please visit our website  
[www.knf.com](http://www.knf.com)  
to get more information

## PERFORMANCE DATA

Series model	N 814			
Material design	KNE	KTE	KNDC	KTDC
Pump head	PPS			
Diaphragm	EPDM	PTFE-coated	EPDM	PTFE-coated
Valves	FPM	FFPM	FPM	FFPM
Flow rate at atm. pressure (l/min)	11.5		12.0	
Ultimate vacuum (mbar abs.)	240	290	240	290
Max. operating pressure (bar rel./psig)	2.0/29.0			
Permissible ambient temperature (°C)	+5 ... +40			
Permissible media temperature (°C)	+5 ... +40			
Weight (kg/lbs)	2.4/5.3		1.0/2.2	

## ELECTRICAL DATA

Voltage (V)	230	12   24
Motor	Shaded pole motor	DC motor
Protection class motor	IP 00	IP 50
Frequency (Hz)	50	-
Power P <sub>1</sub> (W)	85.0	-
I <sub>max</sub> (A)	0.70	2.10   1.10
		2.30   1.30

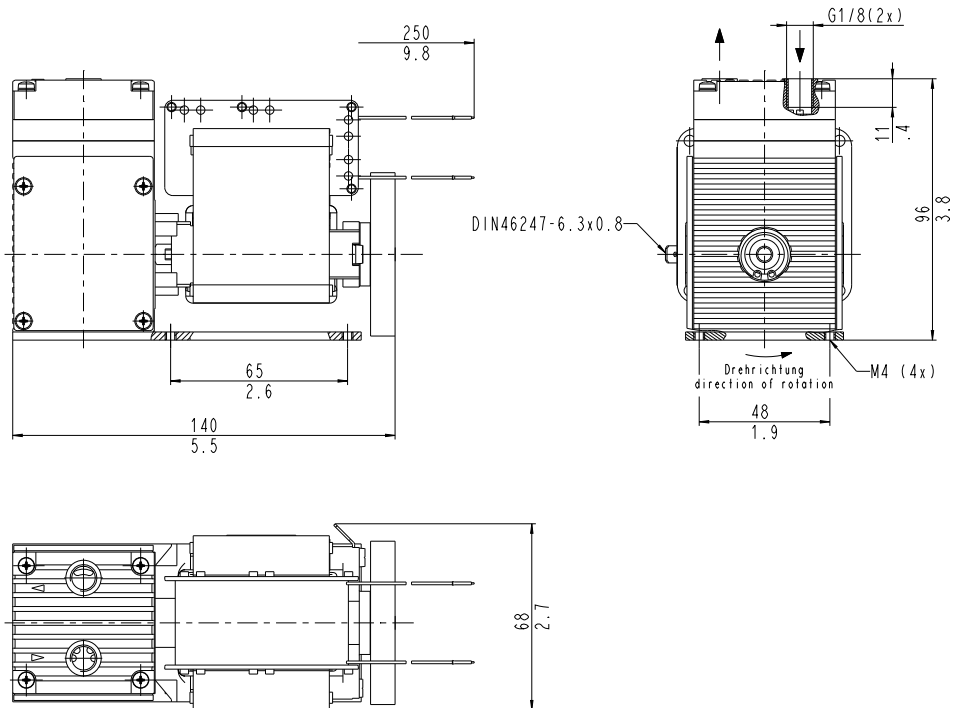
# N 814 KNE | KTE

## PERFORMANCE DATA

Series model	Flow rate at atm. pressure (l/min) <sup>1)</sup>	Max. operating pressure (bar rel./psig)	Ultimate vacuum (mbar abs.)
N 814 KNE	11.5	2.0/29.0	240
N 814 KTE	11.5	2.0/29.0	290

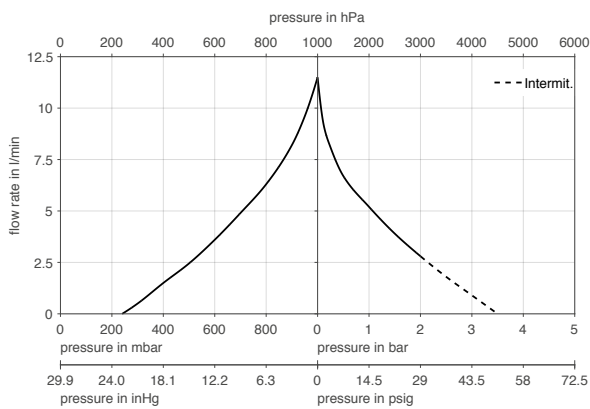
<sup>1)</sup> Liter at STP

## N 814 K\_E

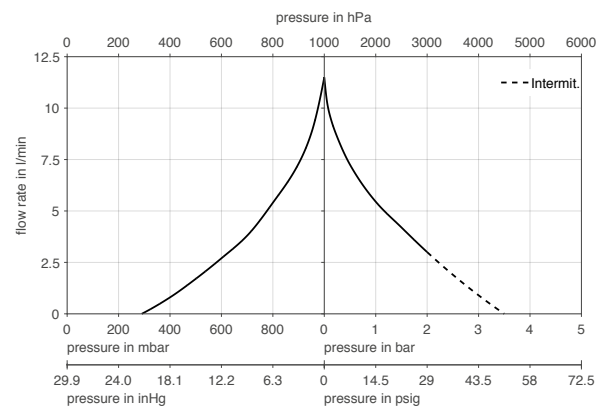


mm  
in

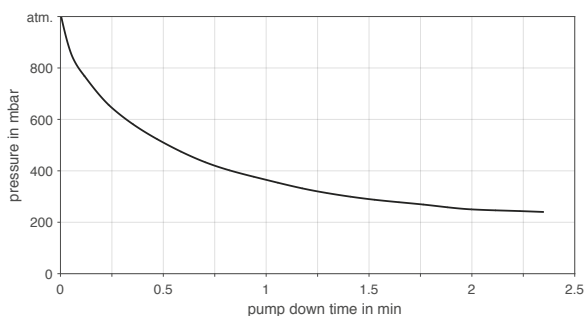
## N 814 KNE



## N 814 KTE



## N 814 KNE | PUMP DOWN TIME FOR 5 LITER VESSEL



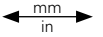
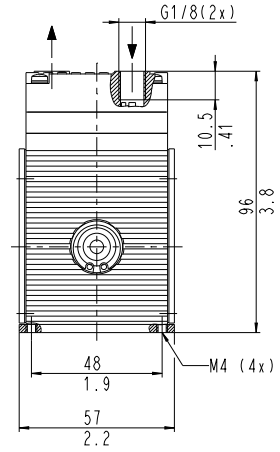
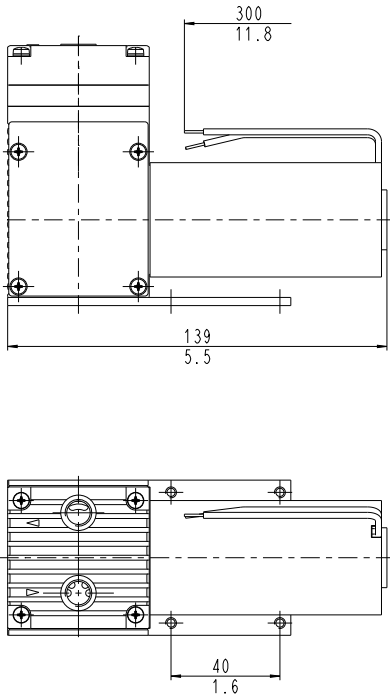
# N 814 KNDC | KTDC

## PERFORMANCE DATA

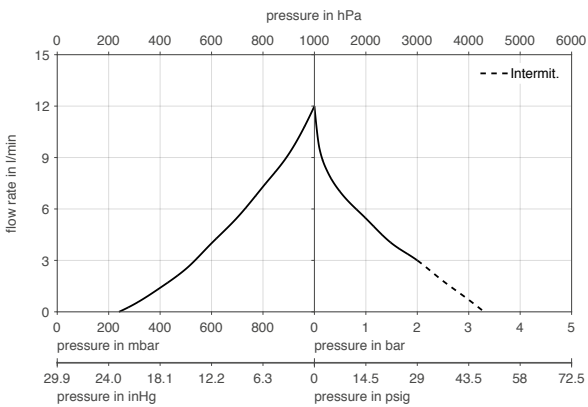
Series model	Flow rate at atm. pressure (l/min) <sup>1)</sup>	Max. operating pressure (bar rel./psig)	Ultimate vacuum (mbar abs.)
N 814 KNDC	12.0	2.0/29.0	240
N 814 KTDC	12.0	2.0/29.0	290

<sup>1)</sup> Liter at STP

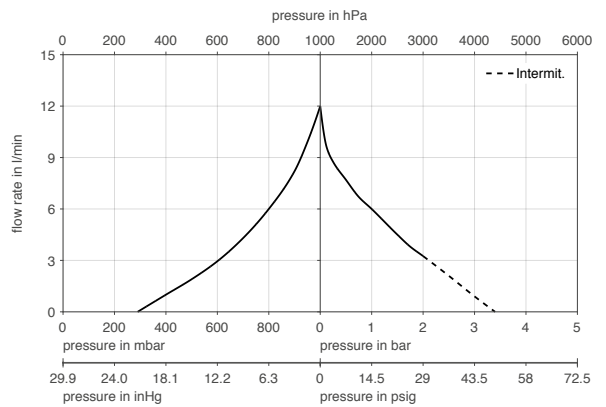
## N 814 K\_DC



## N 814 KNDC



## N 814 KTDC



## ACCESSORIES

Description	Part No.	Details
Silencer/Inlet filter	000346	G 1/8
Hose connector (straight)	000360	G 1/8 PA
Hose connector	014052	G 1/8 PVDF

## SPARE PARTS

Description	Part No.	Details
Intermediate plate	043259	
Head plate	029148	
Valve plate/sealing KN_	113949	
Valve plate/sealing KT_	113950	
Structured diaphragm KN_	043262	
Structured diaphragm KT_	043261	

The performance values for the series models shown on this data sheet were determined under test conditions. The actual performance values may differ and depend in particular on the usage conditions and therefore on the specific application, on the parameters of the components involved in the user's system and on any technical modifications carried out which deviate from the standard configuration or the as delivered condition.

If individual designs have been created for specific customers on the basis of series models, other technical performance data may apply.

Before operation begins, the relevant operating instructions and/or assembly or installation instructions should be read and the safety information contained in these instructions should be noted.

KNF reserves the right to make changes to the product and the associated documentation without prior notice to the customer.



[www.knf.com](http://www.knf.com)