

# N 815 SERIES VACUUM PUMPS



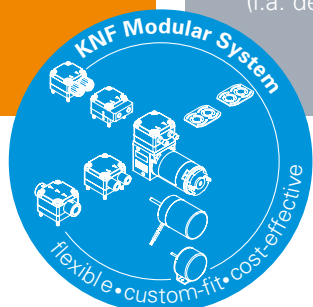
N 815 KNE

## ADVANTAGES

- Excellent price/performance ratio
- High level of performance in a compact size

## POSSIBLE AREAS OF USE

- Medical technology – emergency
- Medical technology – e.g. in positioning units of MRT scanners
- Instrumental analysis (i.a. degassing)
- Diagnostics – disposal of sample waste
- Mobile/portable gas measurement technology
- Vacuum technology – pick & place applications



Please visit our website  
[www.knf.com](http://www.knf.com)  
to get more information

## PERFORMANCE DATA

Series model	N 815			
	KNE	KTE	KNDC	KTDC
Pump head	PPS			
Diaphragm	CR	PTFE-coated	CR	PTFE-coated
Valves	EPDM	FFPM	EPDM	FFPM
Flow rate at atm. pressure (l/min)	15.0	14.0	16.0	15.0
Ultimate vacuum (mbar abs.)	100	160	100	160
Permissible ambient temperature (°C)	+5 ... +40			
Permissible media temperature (°C)	+5 ... +40			
Weight (kg/lbs)	1.6/3.5		1.0/2.2	

## ELECTRICAL DATA

Voltage (V)	230	12   24
Motor	Shaded pole motor	DC motor
Protection class motor	IP 00	IP 50
Frequency (Hz)	50	-
Power P <sub>1</sub> (W)	50.0	-
I <sub>max</sub> (A)	0.55	1.80   0.90

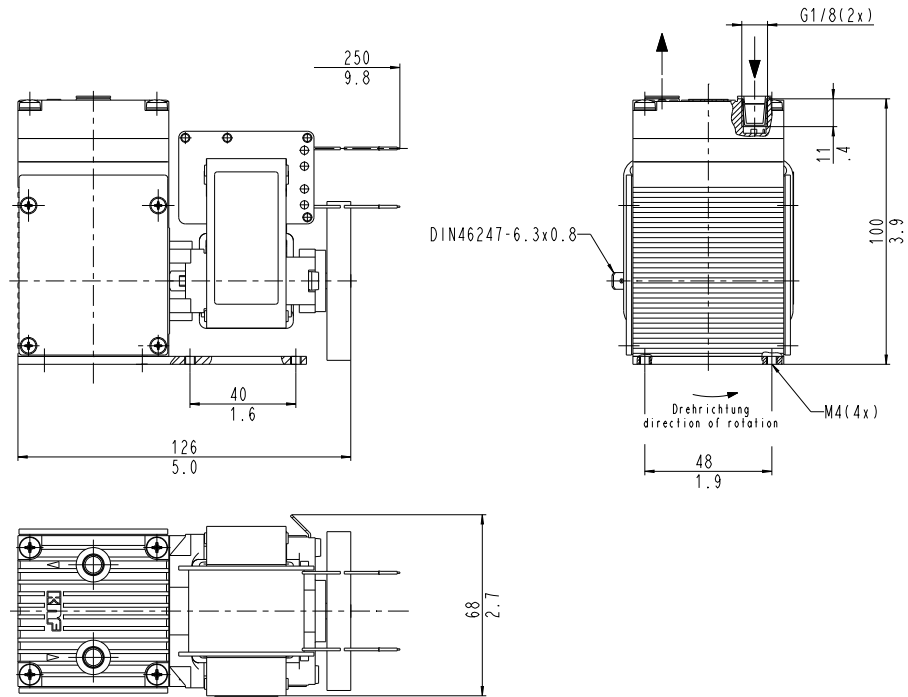
# N 815 KNE | KTE

## PERFORMANCE DATA

Series model	Flow rate at atm. pressure (l/min) <sup>1)</sup>	Max. operating pressure (bar rel./psig)	Ultimate vacuum (mbar abs.)
N 815 KNE	15.0	-	100
N 815 KTE	14.0	-	160

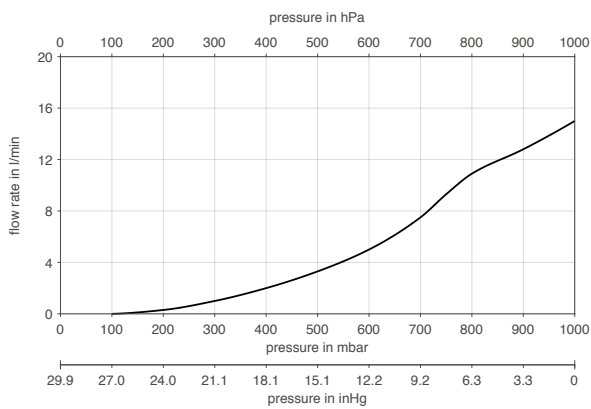
<sup>1)</sup> Liter at STP

## N 815 K\_E

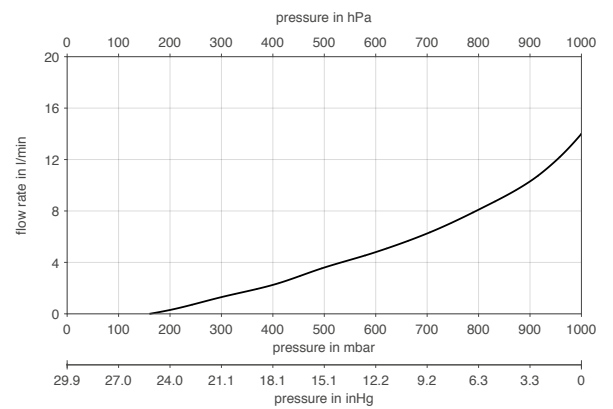


mm  
in

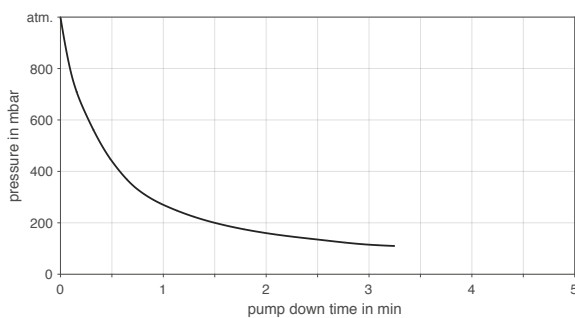
## N 815 KNE



## N 815 KTE



## N 815 KNE | PUMP DOWN TIME FOR 5 LITER VESSEL



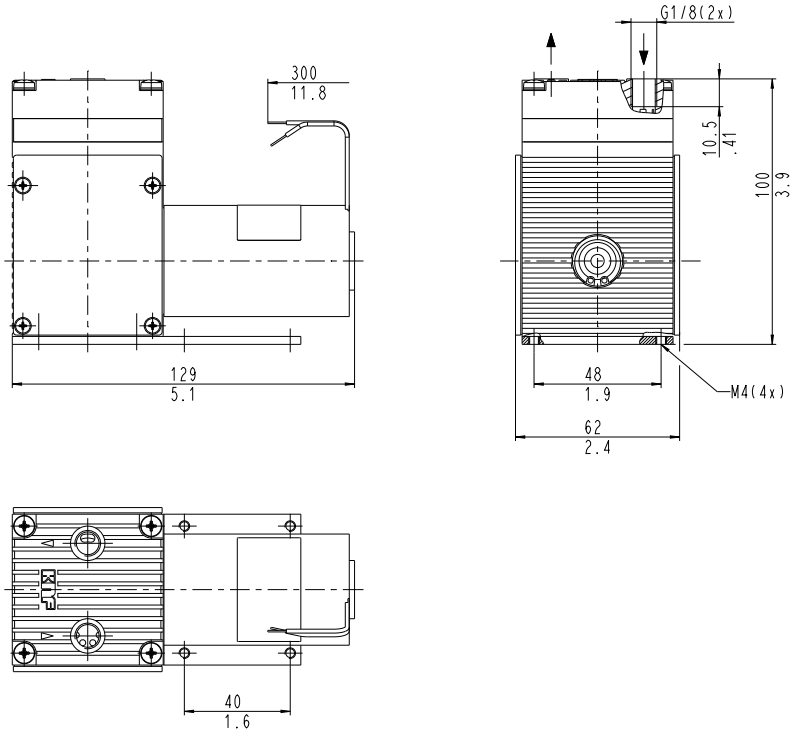
# N 815 KNDC | KTDC

## PERFORMANCE DATA

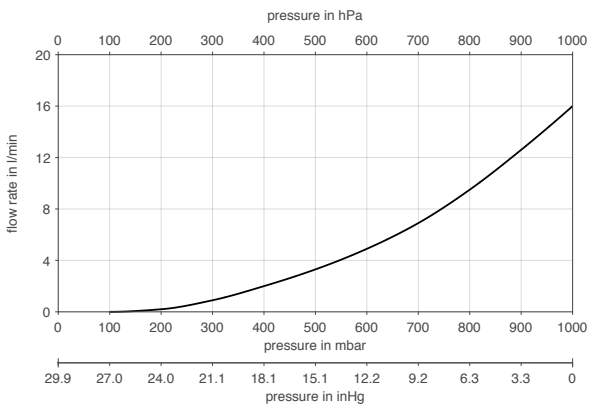
Series model	Flow rate at atm. pressure (l/min) <sup>1)</sup>	Max. operating pressure (bar rel./psig)	Ultimate vacuum (mbar abs.)
N 815 KNDC	16.0	-	100
N 815 KTDC	15.0	-	160

<sup>1)</sup> Liter at STP

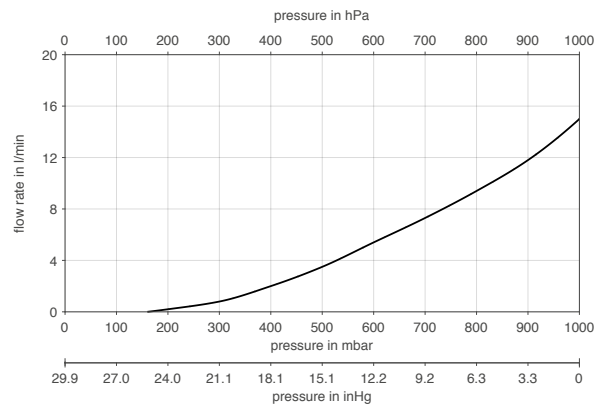
## N 815 K\_DC



## N 815 KNDC



## N 815 KTDC



## ACCESSORIES

Description	Part No.	Details
Silencer/Inlet filter	000346	G 1/8
Hose connector (straight)	000360	G 1/8, PA
Hose connector (straight)	014052	G 1/8, PVDF
90° hose connector	001858	G 1/8, PA

## SPARE PARTS

Description	Part No.	Details
Intermediate plate KN_	024970	
Intermediate plate KT_	044534	
Head plate	024968	
Valve plate/sealing KN_	059267	
Valve plate/sealing KT_	057172	
Structured diaphragm KN_	024489	
Structured diaphragm KT_	024490	
Diaphragm support	025064	

The performance values for the series models shown on this data sheet were determined under test conditions. The actual performance values may differ and depend in particular on the usage conditions and therefore on the specific application, on the parameters of the components involved in the user's system and on any technical modifications carried out which deviate from the standard configuration or the as delivered condition.

If individual designs have been created for specific customers on the basis of series models, other technical performance data may apply.

Before operation begins, the relevant operating instructions and/or assembly or installation instructions should be read and the safety information contained in these instructions should be noted.

KNF reserves the right to make changes to the product and the associated documentation without prior notice to the customer.



[www.knf.com](http://www.knf.com)