

N 828 SERIES VACUUM PUMPS



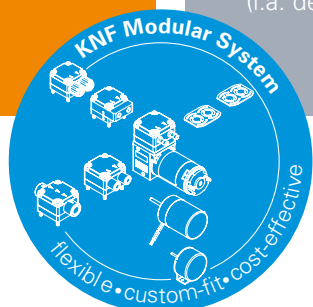
N 828 KNDC-B

ADVANTAGES

- Excellent price/performance ratio
- High level of performance in a compact size

POSSIBLE AREAS OF USE

- Medical technology – emergency sucker
- Medical technology – e.g. in positioning units of MRT scanners
- Instrumental analysis (i.a. degassing)
- Diagnostics – disposal of sample waste
- Mobile/portable gas measurement technology
- Vacuum technology – pick & place applications



Please visit our website
www.knf.com
to get more information

PERFORMANCE DATA

Series model	N 828					
Material design	KNE	ANE	KNDC	ANDC	KNDC-B	KN.29 DC-B
Pump head	PPS	Aluminum	PPS	Aluminum	PPS	
Diaphragm	EPDM					
Valves	FPM					
Flow rate at atm. pressure (l/min)	28.0		27.0		28.0	6.0–28.0
Ultimate vacuum (mbar abs.)	100					
Max. operating pressure (bar rel./psig)	1.0/14.5					
Permissible ambient temperature (°C)	+5 ... +40					
Permissible media temperature (°C)	+5 ... +40					
Weight (kg/lbs)	2.2/4.8		1.9/4.2	2.1/4.8	1.8/4.0	

ELECTRICAL DATA

Voltage (V)	230	12 24	24
Motor	Capacitor motor	DC motor	Brushless DC motor
Protection class motor	IP 00	IP 50	IP 20
Frequency (Hz)	50	-	-
Power P ₁ (W)	100.0	-	58.0
I _{max} (A)	0.60	3.20 1.70	2.40

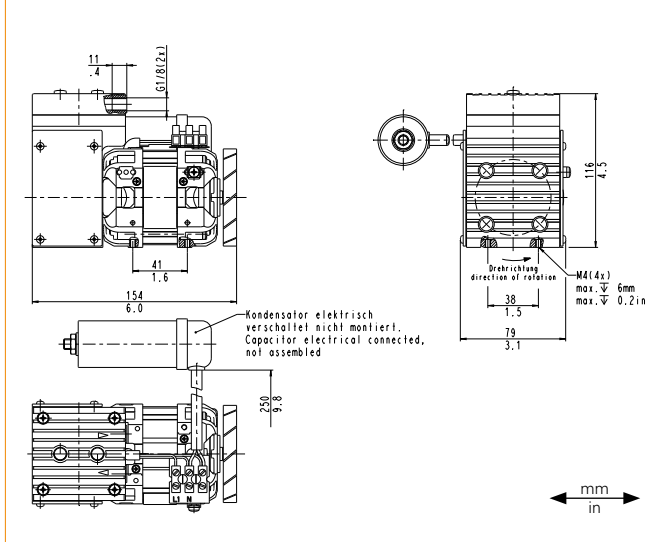
N 828 KNE | ANE

PERFORMANCE DATA

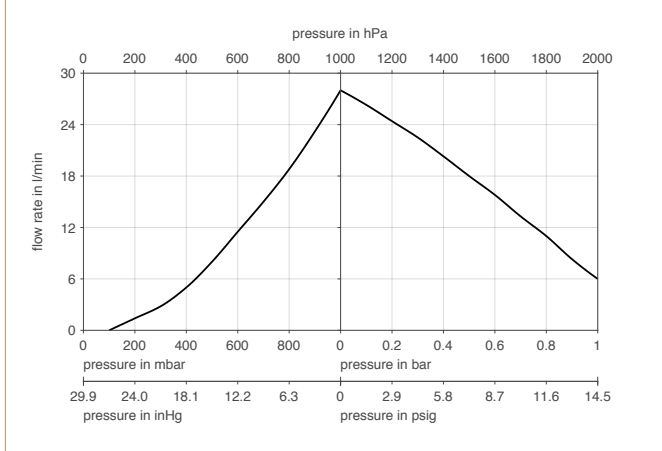
Series model	Flow rate at atm. pressure (l/min) ¹⁾	Max. operating pressure (bar rel./psig)	Ultimate vacuum (mbar abs.)
N 828 KNE	28.0	1.0/14.5	100
N 828 ANE	28.0	1.0/14.5	100

¹⁾ Liter at STP

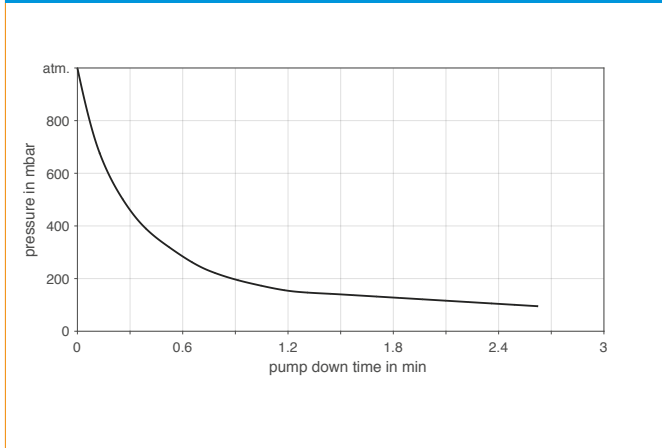
N 828_NE



N 828_NE



N 828_NE | PUMP DOWN TIME FOR 10 LITER VESSEL



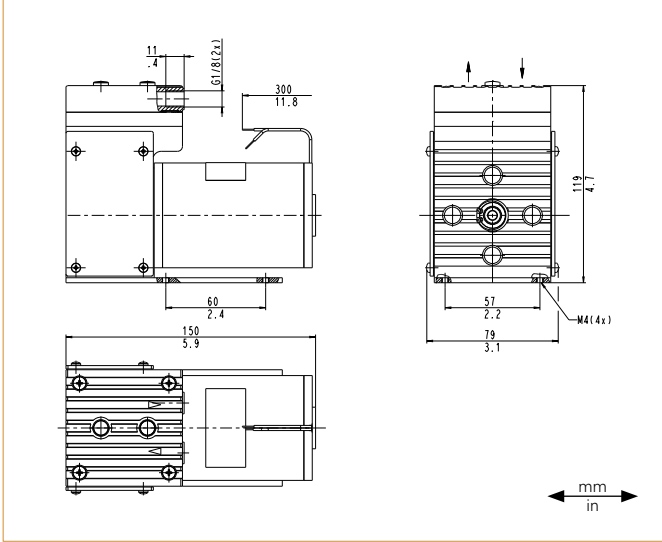
N 828 KNDC | ANDC | KNDC-B | KN.29 DC-B

PERFORMANCE DATA

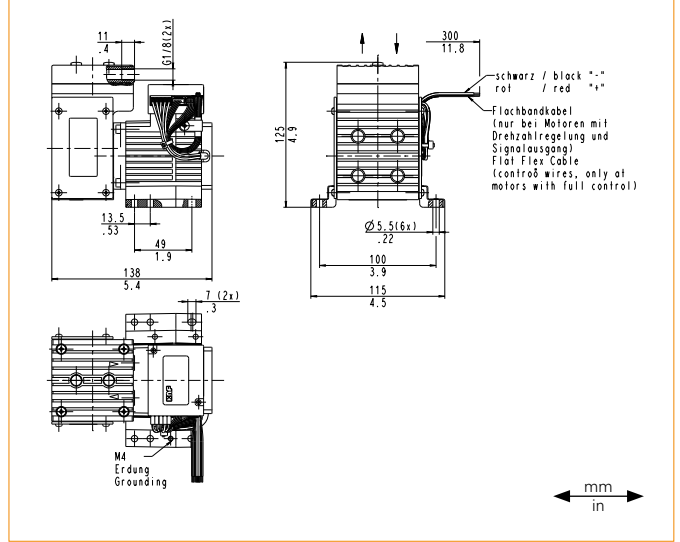
Series model	Flow rate at atm. pressure (l/min) ¹⁾	Max. operating pressure (bar rel./psig)	Ultimate vacuum (mbar abs.)
N 828 KNDC	27.0	1.0/14.5	100
N 828 ANDC	27.0	1.0/14.5	100
N 828 KNDC-B	28.0	1.0/14.5	100
N 828 KN.29 DC-B	6.0–28.0	1.0/14.5	100

¹⁾ Liter at STP

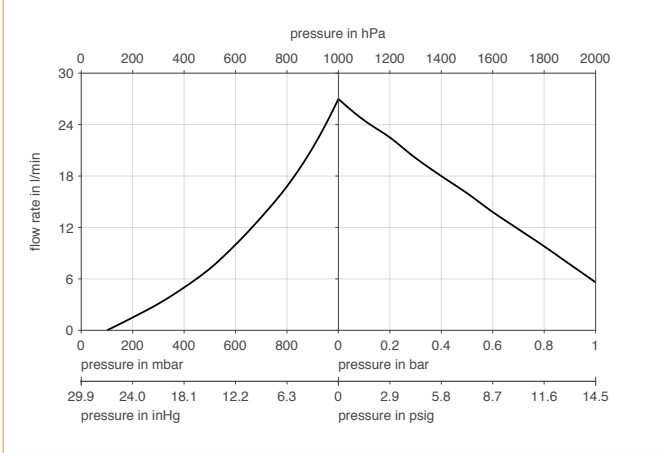
N 828 _NDC



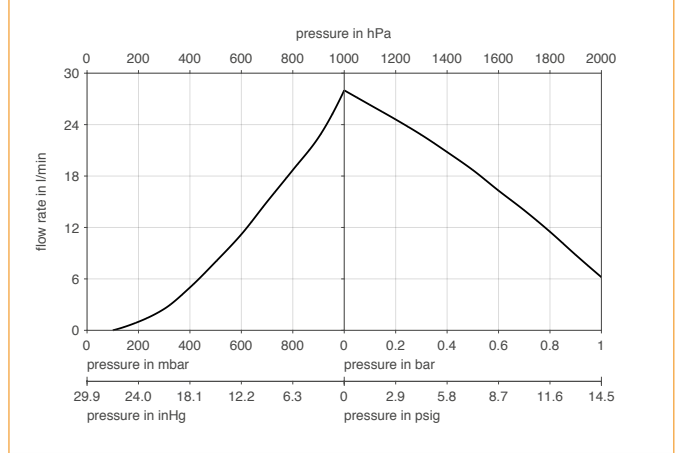
N 828 KNDC-B | KN.29 DC-B



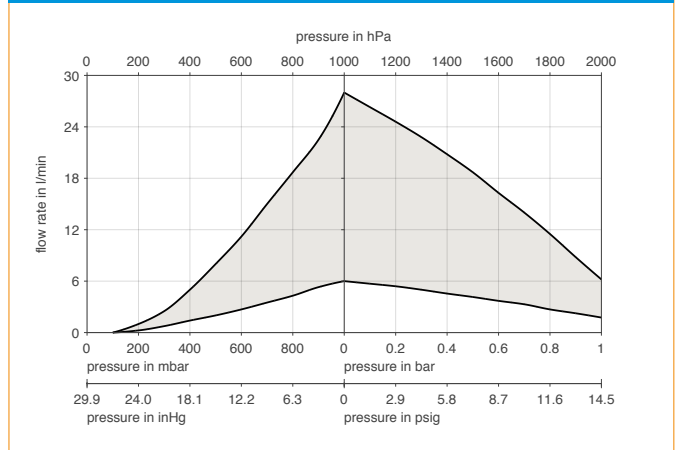
N 828 _NDC



N 828 KNDC-B



N 828 KN.29 DC-B



ACCESSORIES

Description	Part No.	Details
Silencer/Inlet filter	007006	G 1/8
Hose connector (straight)	000360	G 1/8, PA
Hose connector (straight)	014052	G 1/8, PVDF
90° hose connector	001858	G 1/8, PA

SPARE PARTS

Description	Part No.	Details
Spare parts kit	043824	

The performance values for the series models shown on this data sheet were determined under test conditions. The actual performance values may differ and depend in particular on the usage conditions and therefore on the specific application, on the parameters of the components involved in the user's system and on any technical modifications carried out which deviate from the standard configuration or the as delivered condition.

If individual designs have been created for specific customers on the basis of series models, other technical performance data may apply.

Before operation begins, the relevant operating instructions and/or assembly or installation instructions should be read and the safety information contained in these instructions should be noted.

KNF reserves the right to make changes to the product and the associated documentation without prior notice to the customer.



www.knf.com