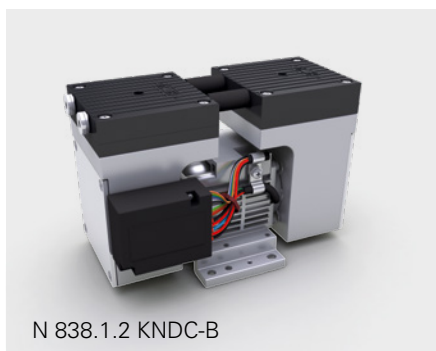


# N 838.1.2 SERIES VACUUM PUMPS



N 838.1.2 KNDC-B

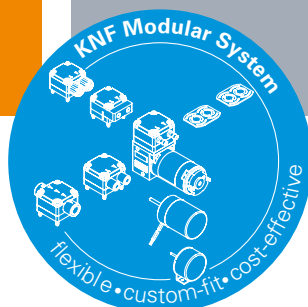
## ADVANTAGES

- Excellent price/performance ratio
- High level of performance in a compact size

## POSSIBLE AREAS OF USE

- Instrumental analysis (i.a. degassing)
- Diagnostics – disposal of sample waste
- Vacuum technology – pick & place applications
- Medical technology – OR-suction devices

Please visit our website  
[www.knf.com](http://www.knf.com)  
to get more information



## PERFORMANCE DATA

Series model	N 838.1.2		
Material design	KNE	KNDC-B	KN.29 DC-B
Pump head	PPS		
Diaphragm	EPDM		
Valves	FPM		
Flow rate at atm. pressure (l/min)	42.0	60.0	12.0–60.0
Ultimate vacuum (mbar abs.)	90	100	
Max. operating pressure (bar rel./psig)	0.5/7.3		
Permissible ambient temperature (°C)	+5 ... +40		
Permissible media temperature (°C)	+5 ... +40		
Weight (kg/lbs)	4.7/10.3	3.0/6.6	

## ELECTRICAL DATA

Voltage (V)	230	24
Motor	Capacitor motor	Brushless DC motor
Protection class motor	IP 20	
Frequency (Hz)	50	-
Power P <sub>1</sub> (W)	70.0	101.0
I <sub>max</sub> (A)	0.50	4.20

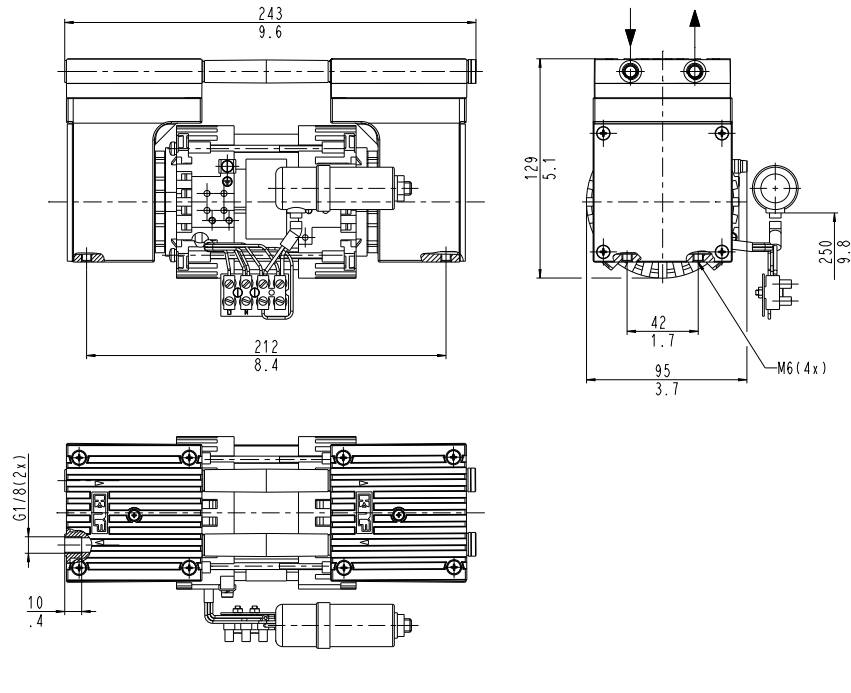
# N 838.1.2 KNE

## PERFORMANCE DATA

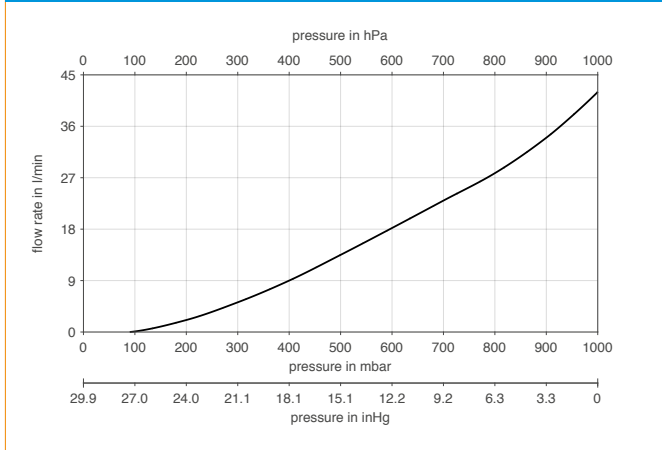
Series model	Flow rate at atm. pressure (l/min) <sup>1)</sup>	Max. operating pressure (bar rel./psig)	Ultimate vacuum (mbar abs.)
N 838.1.2 KNE	42.0	0.5/7.3	90

<sup>1)</sup> Liter at STP

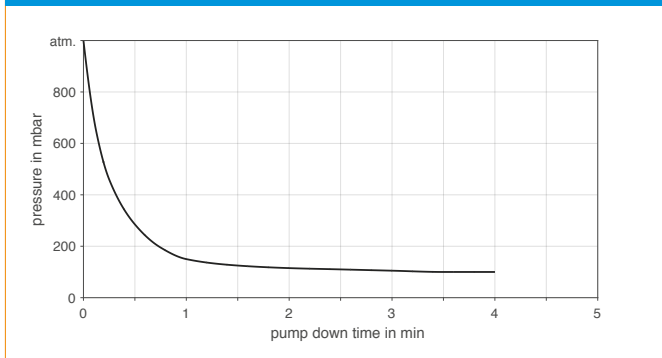
## N 838.1.2 KNE



## N 838.1.2 KNE



## N 838.1.2 KNE | PUMP DOWN TIME FOR 10 LITER VESSEL



# N 838.1.2 KNDC-B

## PERFORMANCE DATA

Series model	Flow rate at atm. pressure (l/min) <sup>1)</sup>	Max. operating pressure (bar rel./psig)	Ultimate vacuum (mbar abs.)
N 838.1.2 KNDC-B	60.0	0.5/7.3	100

<sup>1)</sup> Liter at STP

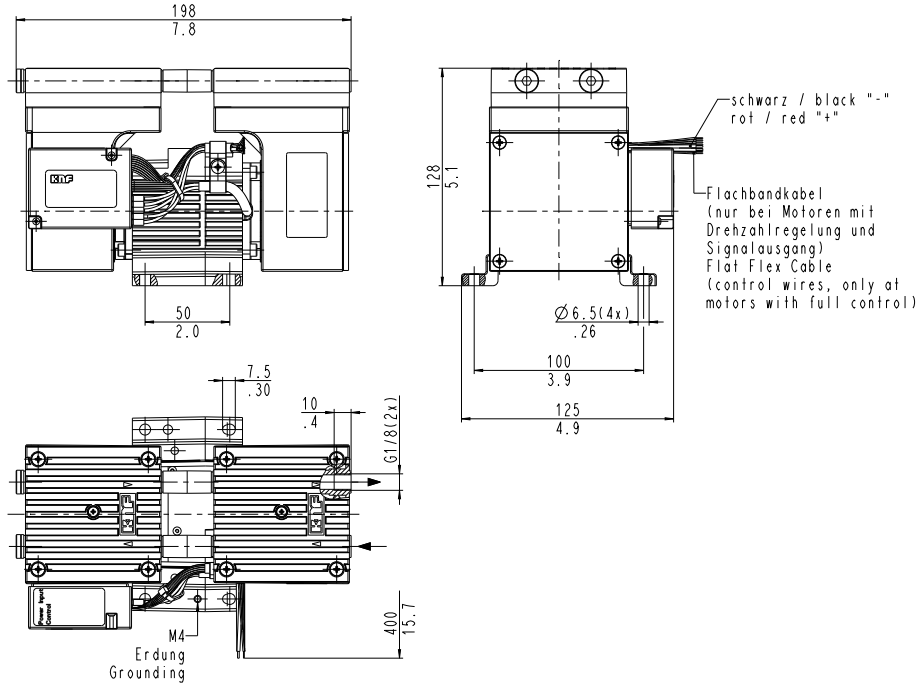
# N 838.1.2 KN.29 DC-B

## PERFORMANCE DATA

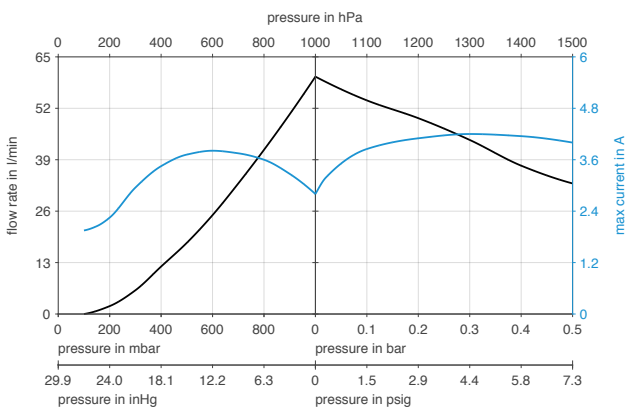
Series model	Flow rate at atm. pressure (l/min) <sup>1)</sup>	Max. operating pressure (bar rel./psig)	Ultimate vacuum (mbar abs.)
N 838.1.2 KN.29 DC-B	12.0–60.0	0.5 /7.3	100

<sup>1)</sup> Liter at STP

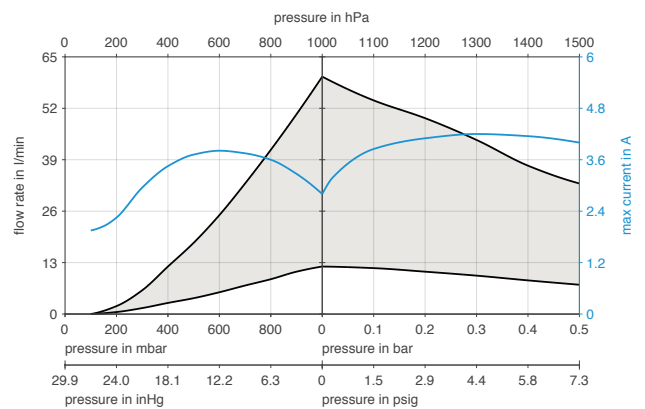
## N 838.1.2 KNDC-B | KN.29 DC-B



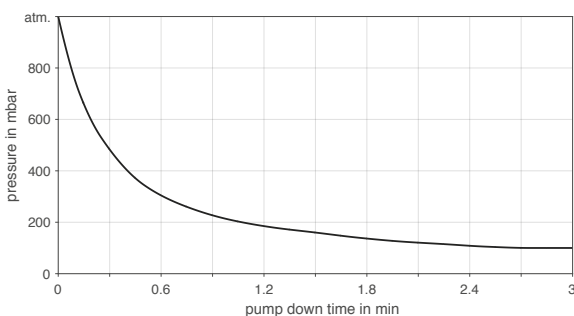
## N 838.1.2 KNDC-B



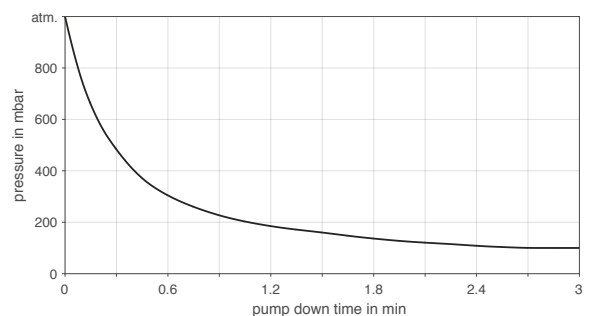
## N 838.1.2 KN.29 DC-B



## N 838.1.2 KNDC-B | PUMP DOWN TIME FOR 10 LITER VESSEL



## N 838.1.2 KN.29 DC-B | PUMP DOWN TIME FOR 10 LITER VESSEL



## ACCESSORIES

Description	Part No.	Details
Silencer/Inlet filter	007006	G 1/8
Hose connector (straight)	004975	G 1/8, PA, ID 8
Vibration damping (4 pieces necessary per pump)	014114	D 20x15, 2x M6x10 outside

## SPARE PARTS

Description	Part No.	Details
Spare parts kit	313749	

The performance values for the series models shown on this data sheet were determined under test conditions. The actual performance values may differ and depend in particular on the usage conditions and therefore on the specific application, on the parameters of the components involved in the user's system and on any technical modifications carried out which deviate from the standard configuration or the as delivered condition.

If individual designs have been created for specific customers on the basis of series models, other technical performance data may apply.

Before operation begins, the relevant operating instructions and/or assembly or installation instructions should be read and the safety information contained in these instructions should be noted.

KNF reserves the right to make changes to the product and the associated documentation without prior notice to the customer.



[www.knf.com](http://www.knf.com)