

N 85 SERIES VACUUM PUMPS



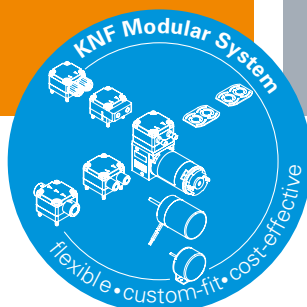
N 85.3 KNE

ADVANTAGES

- High chemical resistance
- Robust design
- Copes well with vapor and condensation

POSSIBLE AREAS OF USE

- Stationary emission measurement technology (CEMS)
- Mobile/portable gas measurement technology
- Instrumental analysis
- Medical technology – especially diagnostics



Please visit our website
www.knf.com
to get more information

PERFORMANCE DATA

Series model	N 85.3			
Material design	KNE	KTE	KNDC	KTDC
Pump head	PPS			
Diaphragm	EPDM	PTFE-coated	EPDM	PTFE-coated
Valves	CR	FFPM	CR	FFPM
Flow rate at atm. pressure (l/min)	5.0			5.5
Ultimate vacuum (mbar abs.)	25	35	25	35
Max. operating pressure (bar rel./psig)	0.3/4.4			
Permissible ambient temperature (°C)	+5 ... +40			
Permissible media temperature (°C)	+5 ... +40			
Weight (kg/lbs)	1.3/2.8		0.7/1.6	

ELECTRICAL DATA

Voltage (V)	230	12 24
Motor	Shaded pole motor	DC motor
Protection class motor	IP 00	IP 50
Frequency (Hz)	50	-
Power P ₁ (W)	65.0	-
I _{max} (A)	0.65	1.40 0.70

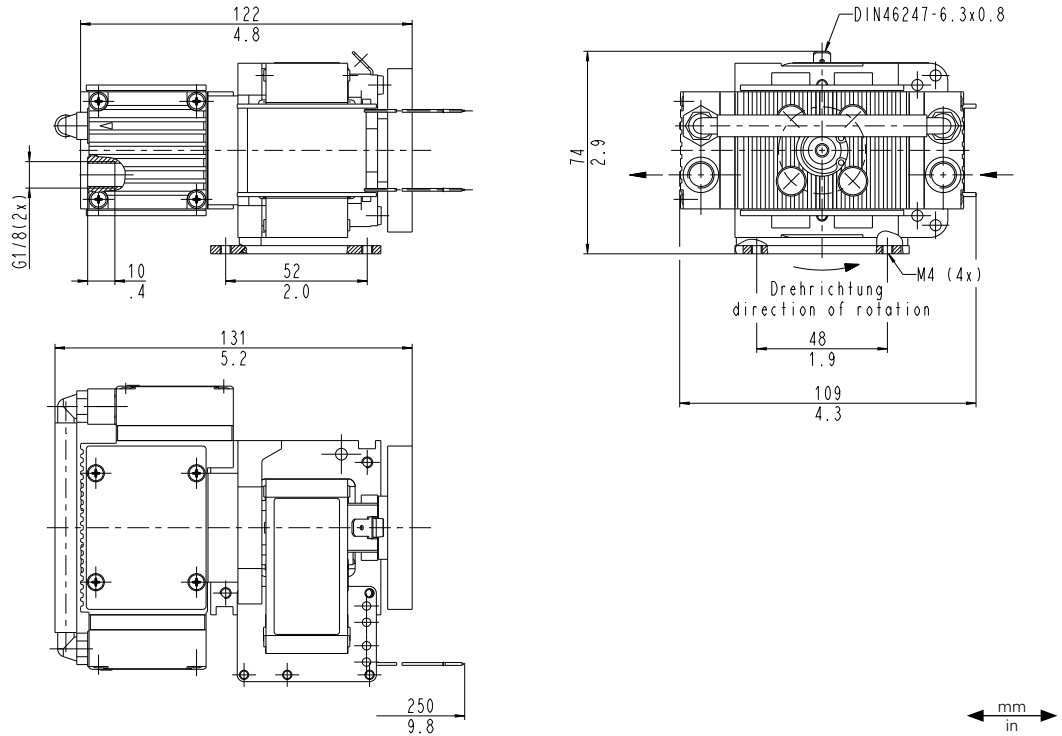
N 85.3 KNE | KTE

PERFORMANCE DATA

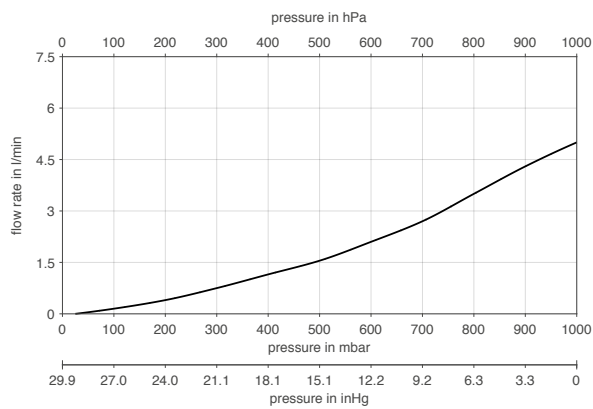
Series model	Flow rate at atm. pressure (l/min) ¹⁾	Max. operating pressure (bar rel./psig)	Ultimate vacuum (mbar abs.)
N 85.3 KNE	5.0	0.3/4.4	25
N 85.3 KTE	5.0	0.3/4.4	35

¹⁾ Liter at STP

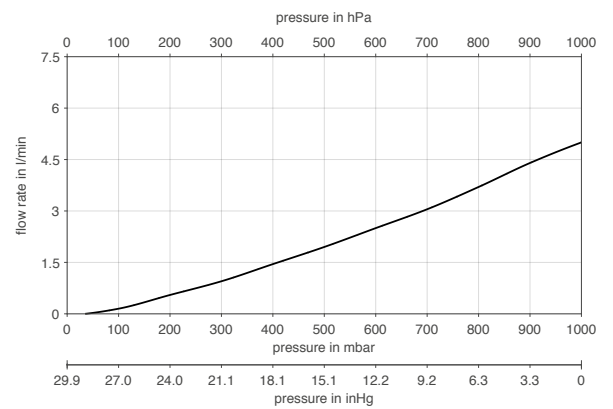
N 85.3 K E



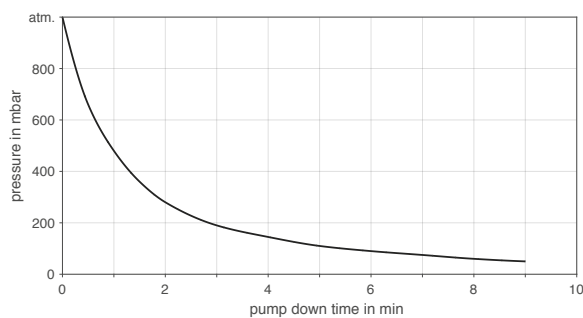
N 85.3 KNE



N 85.3 KTE



N 85.3 KNE | PUMP DOWN TIME FOR 5 LITER VESSEL



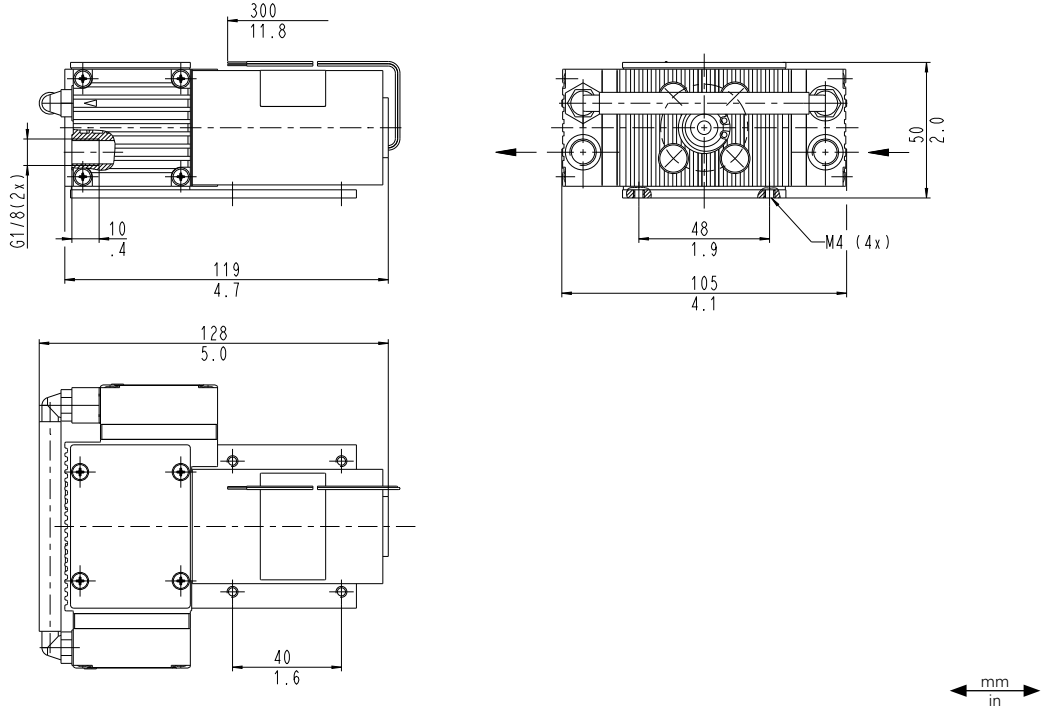
N 85.3 KNDC | KTDC

PERFORMANCE DATA

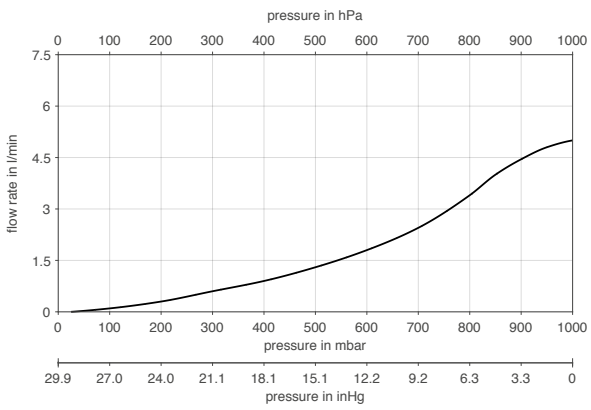
Series model	Flow rate at atm. pressure (l/min) ¹⁾	Max. operating pressure (bar rel./psig)	Ultimate vacuum (mbar abs.)
N 85.3 KNDC	5.0	0.3/4.4	25
N 85.3 KTDC	5.5	0.3/4.4	35

¹⁾ Liter at STP

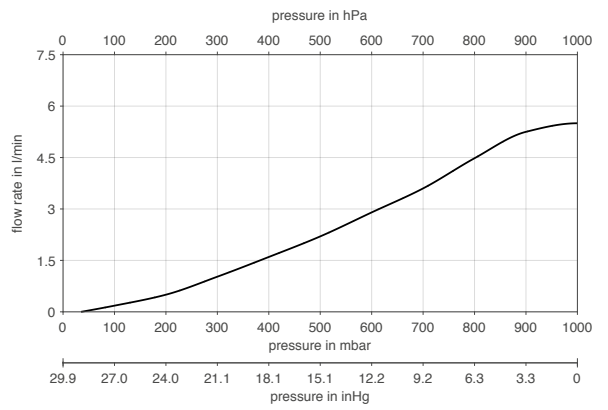
N 85.3 K_DC



N 85.3 KNDC



N 85.3 KTDC



ACCESSORIES

Description	Part No.	Details
Silencer	000345	
Inlet filter	000346	
Hose connector	001936	PA
Hose connector	025671	PVDF
Rubber foot	024435	

SPARE PARTS

Description	Part No.	Details
Spare parts kit N 85.3 KN_	032498	
Spare parts kit N 85.3 KT_	032482	

The performance values for the series models shown on this data sheet were determined under test conditions. The actual performance values may differ and depend in particular on the usage conditions and therefore on the specific application, on the parameters of the components involved in the user's system and on any technical modifications carried out which deviate from the standard configuration or the as delivered condition.

If individual designs have been created for specific customers on the basis of series models, other technical performance data may apply.

Before operation begins, the relevant operating instructions and/or assembly or installation instructions should be read and the safety information contained in these instructions should be noted.

KNF reserves the right to make changes to the product and the associated documentation without prior notice to the customer.



www.knf.com