

# N 880.3 SERIES VACUUM PUMPS



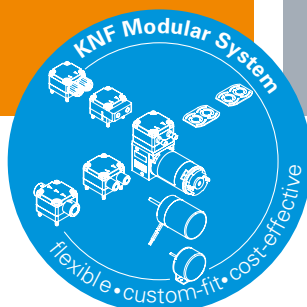
N 880.3 AN.22 E

## ADVANTAGES

- Stable and deep final vacuum
- High flow rate in deep vacuum
- Stable vacuum in the transfer area to the turbomolecular pump

## POSSIBLE AREAS OF USE

- Can be used as roughing pump for turbomolecular pumps
- Energy technology – SF<sub>6</sub> gas handling



Please visit our website  
[www.knf.com](http://www.knf.com)  
to get more information

## PERFORMANCE DATA

<b>Series model</b>	<b>N 880.3</b>
<b>Material design</b>	<b>AN.22 E</b>
Pump head	Aluminum
Diaphragm	EPDM
Valves	FPM
Flow rate at atm. pressure (l/min)	80.0
Ultimate vacuum (mbar abs.)	2
Max. operating pressure (bar rel./psig)	1.0/14.5
Permissible ambient temperature (°C)	+5 ... +40
Permissible media temperature (°C)	+5 ... +40
Weight (kg/lbs)	18.0/40.0

## ELECTRICAL DATA

Voltage (V)	230
Motor	Capacitor motor
Protection class motor	IP 54
Frequency (Hz)	50
Power P <sub>1</sub> (W)	310
I <sub>max</sub> (A)	1.60

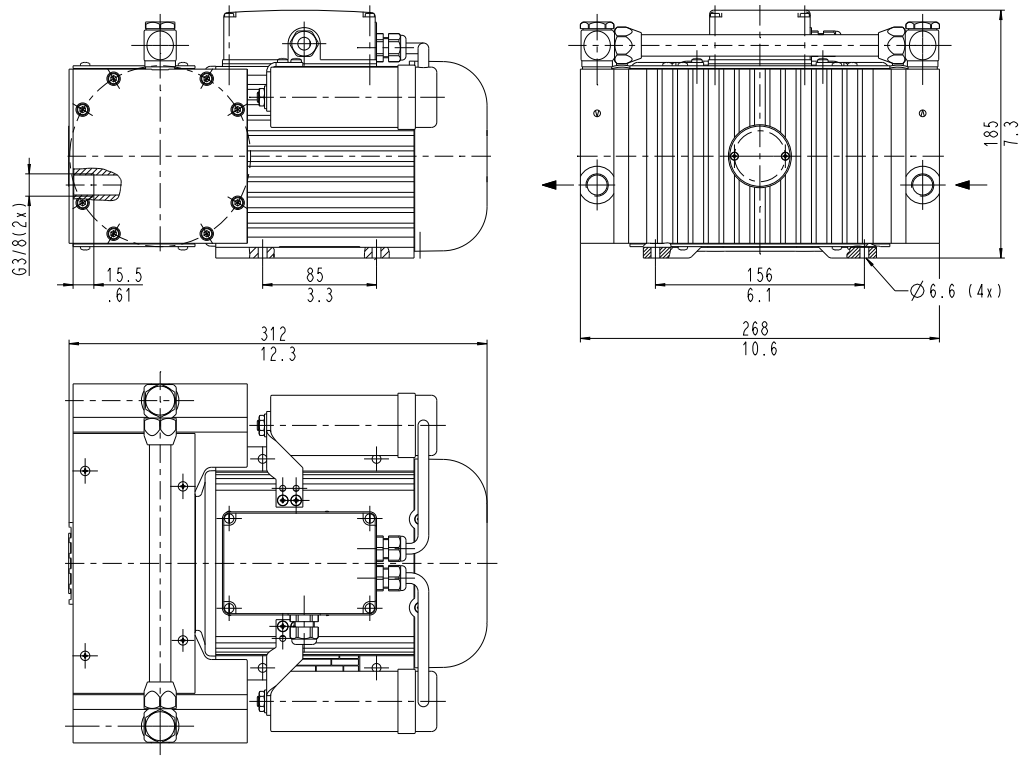
# N 880.3 AN.22 E

## PERFORMANCE DATA

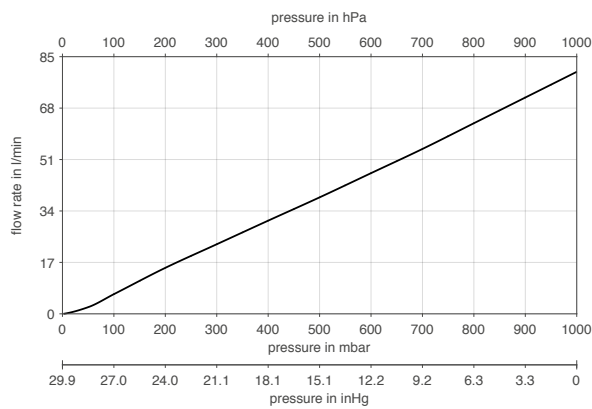
Series model	Flow rate at atm. pressure (l/min) <sup>1)</sup>	Max. operating pressure (bar rel./psig)	Ultimate vacuum (mbar abs.)
N 880.3 AN.22 E	80.0	1.0/14.5	2

<sup>1)</sup> Liter at STP

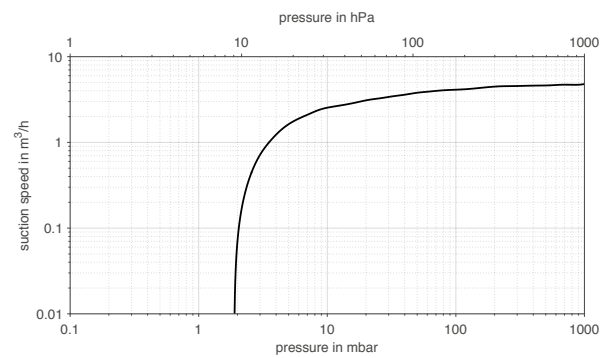
## N 880.3 AN.22 E



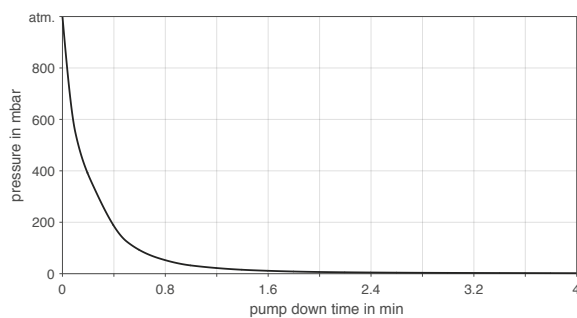
## N 880.3 AN.22 E



## N 880.3 AN.22 E | SUCTION PUMPING SPEED



## N 880.3 AN.22 E | PUMP DOWN TIME FOR 20 LITER VESSEL



## ACCESSORIES

Description	Part No.	Details
Silencer	045993	G 3/8
Hose connector	045859	G 3/8
Small flange	045857	G 3/8, DN 16
Gasket	044982	for G 3/8

## SPARE PARTS

Description	Part No.	Details
Spare parts kit	045387	

The performance values for the series models shown on this data sheet were determined under test conditions. The actual performance values may differ and depend in particular on the usage conditions and therefore on the specific application, on the parameters of the components involved in the user's system and on any technical modifications carried out which deviate from the standard configuration or the as delivered condition.

If individual designs have been created for specific customers on the basis of series models, other technical performance data may apply.

Before operation begins, the relevant operating instructions and/or assembly or installation instructions should be read and the safety information contained in these instructions should be noted.

KNF reserves the right to make changes to the product and the associated documentation without prior notice to the customer.



[www.knf.com](http://www.knf.com)

