



Modular Vacuum Systems, controlled Vacuum



Chemically-resistant LABOPOINT® Vacuum Systems with Separator, Condenser and Vacuum Controller

Technical features:

- Maintenance-free
- Silent
- Simple connection to the line power (power plug) and to the pneumatic system
- Environmentally friendly
- Automatic vacuum control
- Controlled recovery of solvents, with high-performance condenser (at the pressure side)
- Collection of particles in the system (at the suction side)
- Easy to expand or convert

SC Systems, modular

The SC vacuum systems are equipped with the LABOPOINT-series chemically-resistant diaphragm pump of your choice (refer to the table/overview "modular accessories"). SC systems include a vacuum controller for controlled vacuum processes. There is a wide range of applications for these vacuum systems in laboratories, whenever clean, constant vacuum is required.

The heart of the very compact LABOPOINT pumps used in the vacuum systems is KNF structured diaphragm. This patented diaphragm was stress-optimized using the finite elements method. As a result, we were able to make the pumps smaller while increasing the service life of the diaphragm.

For laboratory applications, there is a wide variety of vacuum pumps with many different performance levels and various modular system components. The systems listed here are fully assembled at the factory. They can be converted quickly and easily; special tools are not required.

**Complete SC vacuum systems with:
Chemically-resistant diaphragm pump of your choice,
base plate, separator (suction side), condenser (pressure side), vacuum controller with electrical supply unit, cabling and tubing ready to connect.**

System ³⁾	Delivery (l/min) ¹⁾	Ultimate vacuum (mbar abs)	Operating pressure (bar g)	Motor ~230V/50Hz operating current (A)/ power P ₁ (W) ²⁾	Pneumatic connections for tube ID	Weight (kg)	Dimensions (L x W x H) (mm)	Built in pump type
SC system comprising vacuum pump, base plate, condenser, separator and a vacuum controller								
SC 810	10	8	1	0.6/90	10 mm	13.6	397/289/506	N 810.3 FT.18
SC 842	34	2	1	1.5/245	10 mm	20.1	417/289/506	N 842.3 FT.18

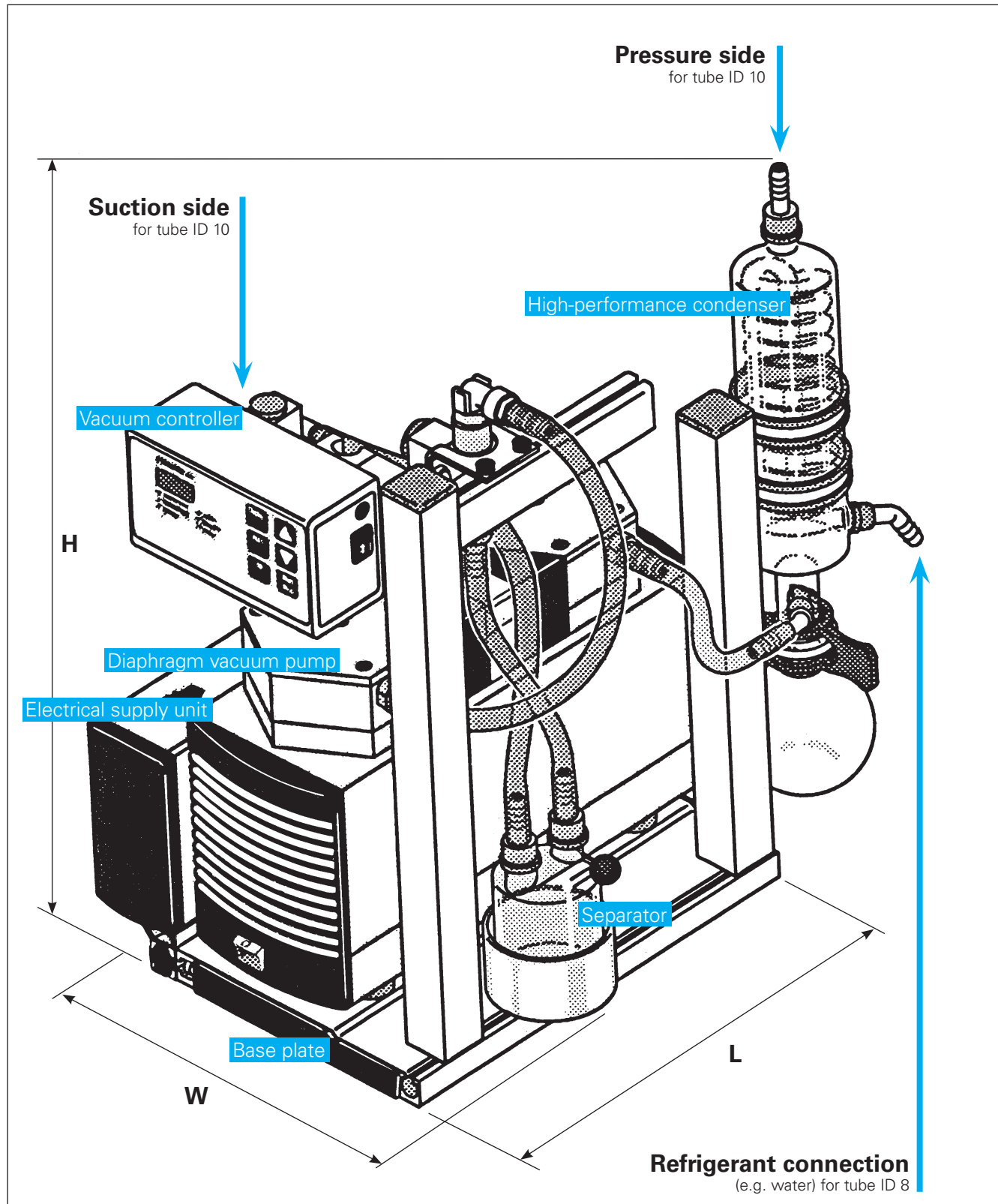
¹⁾ at atm. pressure ²⁾ Motors with other voltages, frequencies on request

³⁾ systems with single head pumps and lower vacuum on request



Modular Vacuum Systems, controlled Vacuum

Dimensions (see table)



Accessories

Order No.	Description	Details
045075	Coolant valve	G 1/2, ID 8

KNF Neuberger GmbH, Alter Weg 3, D-79112 Freiburg, Tel. ++49(0)7664/5909-0, Fax ++49(0)7664/5909-99, www.knf.de, E-Mail: info@knf.de