

# NF 2.35

## DIAPHRAGM LIQUID PUMP



NF 2.35 XPDCB-4B

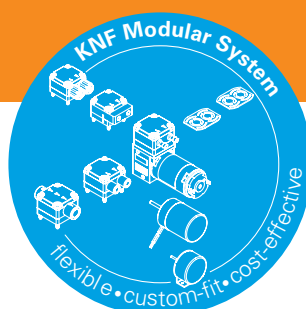
### ADVANTAGES

- Self priming and excellent for pressure
- Extreme chemical resistance
- Dry running, durable and maintenance free

### POSSIBLE AREAS OF USE

- Analysers
- Laboratory
- Cleaning industry
- Printing

Please visit our website  
[www.knf.com](http://www.knf.com)  
 to get more information.



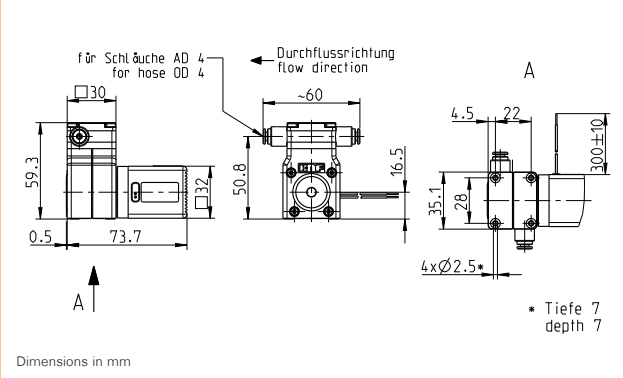
PERFORMANCE DATA		
Series model	NF 2.35 DCB-B	NF 2.35 DCB-4B
Material options	XP	XT
Pump head	PEEK	PEEK
Diaphragm	EPDM	PTFE
Valves	EPDM	FFKM
Resonating Diaphragm	PTFE	PTFE
Flow rate at atm. pressure (l/min)	0.35	
Suction height (mWg)	3	
Pressure head (mWg)	160	
Permissible ambient temperature (°C)	+5 to +40	
Permissible liquid temperature (°C)	+5 to +80	
Weight (g)	260	
IP protection factor	50	
ELECTRICAL DATA		
Operating voltage (V)	12/24	10-26.4
Power consumption (W)	10.3/11.0	12.3
I load max (A)	0.86/0.46	1.1-0.44

# NF 2.35 DCB-B

## PERFORMANCE DATA

Series model	Flow rate at atm. pressure (l/min)	Max. suction height (mWg)	Max. pressure head (mWg)
NF 2.35 DCB-B	0.35	3	160

## NF 2.35 DCB-B

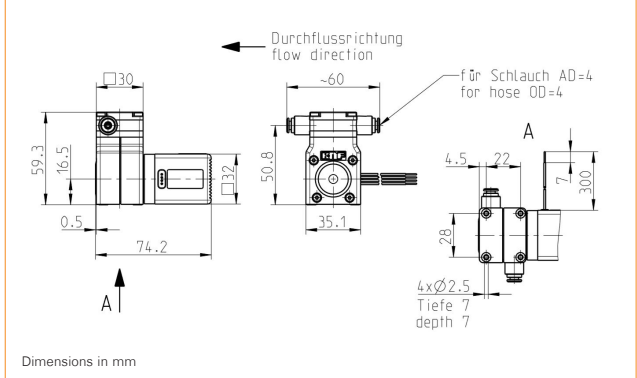


# NF 2.35 DCB-4B

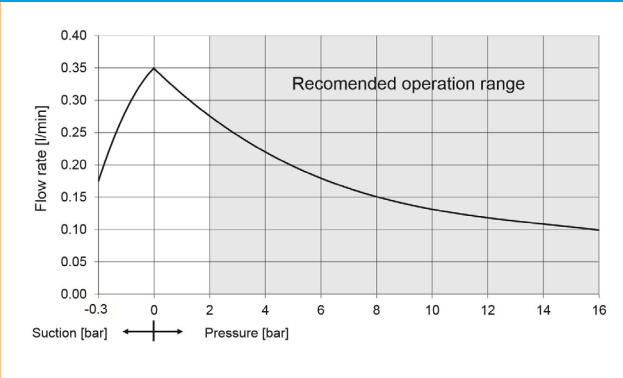
## PERFORMANCE DATA

Series model	Flow rate at atm. pressure (l/min)	Max. suction height (mWg)	Max. pressure head (mWg)
NF 2.35 DCB-4B	0.35	3	160

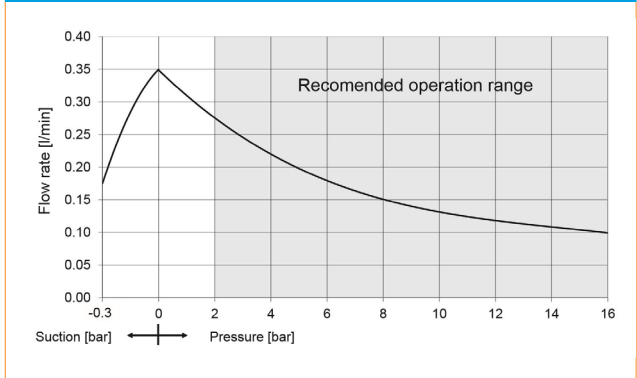
## NF 2.35 DCB-4B



## NF 2.35 DCB-B FLOW CURVE



## NF 2.35 DCB-4B FLOW CURVE






## ELECTRIC SPECIFICATION

Wires	AWG 24
Wire assignment	red = +VS black = -VS/GND

## ELECTRIC SPECIFICATION

Wires	AWG 24
Wire assignment	red = +VS black = -VS/GND white = Vctrl-input green = FG-output
Input signal	0-5V

OPTIONS			
Description	Illustration	Part No.	Details
Motors with special voltages or frequencies			
Electrical connectors			Specific customers requirements such as special connections (Molex, AMP, etc.)
Different hydraulic connection types			

### DIGITAL CUSTOMIZATION

Thanks to digital technology, this pump can be quickly adapted to the customer's system. This is done by parametrizing the firmware of the motor at KNF.

The performance values for the series models shown on this data sheet were determined under test conditions. The actual performance values may differ and depend in particular on the usage conditions and therefore on the specific application, on the parameters of the components involved in the user's system and on any technical modifications carried out which deviate from the standard configuration or the as delivered condition.

If individual designs have been created for specific customers on the basis of series models, other technical performance data may apply.

Before operation begins, the relevant operating instructions and/or assembly or installation instructions should be read and the safety information contained in these instructions should be noted.

KNF reserves the right to make changes to the product and the associated documentation without prior notice to the customer.



[www.knf.com](http://www.knf.com)