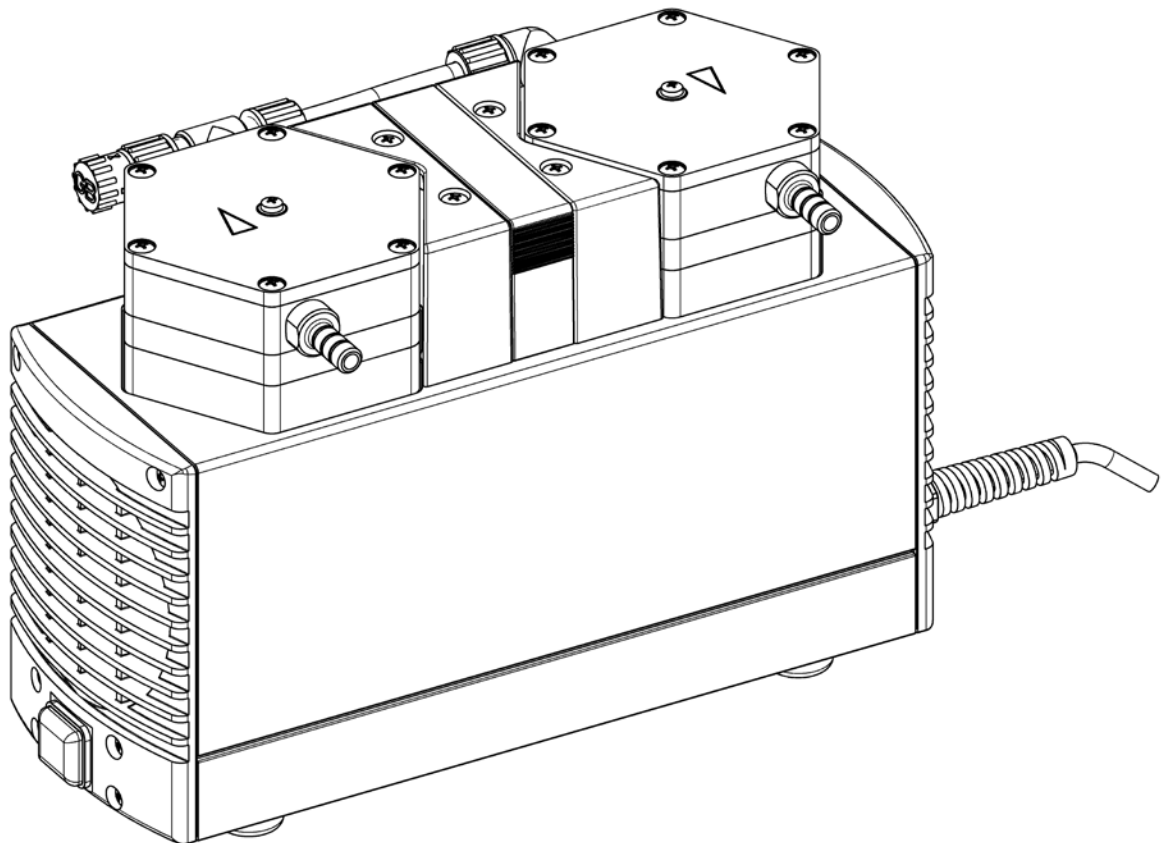


LAB

N 810/820/840.18 EX
TRANSLATION OF ORIGINAL-OPERATING
INSTRUCTIONS
ENGLISH

LABOPORT[®]

CHEMICALLY-RESISTANT LABORATORY PUMPS



Note!

Before operating the pump and the accessories, please read the operating instructions on the web site (www.knf.com/downloads) and pay attention to the safety precautions!



KNF Neuberger GmbH
Alter Weg 3
D-79112 Freiburg
Germany
Phone ++49 / (0)7664 / 5909-0
Fax ++49 / (0)7664 / 5909-99
E-Mail: info@knf.de
www.knf.de

| Content | Page |
|---|-------------|
| 1. About this document | 3 |
| 1.1. Using the Operating Instructions | 3 |
| 1.2. Symbols and Markings | 3 |
| 2. Use | 4 |
| 2.1. Proper Use | 4 |
| 2.2. Improper Use | 4 |
| 2.3. Use to transfer explosive atmospheres | 5 |
| 2.4. Explanations of the explosion protection marking | 6 |
| 2.4.1. Device groups | 6 |
| 2.4.2. Device categories for gas | 6 |
| 2.4.3. Explosion groups | 7 |
| 2.4.4. Temperature classes | 8 |
| 2.4.5. Additional conditions | 8 |
| 3. Information about EX marking | 9 |
| 4. Safety | 10 |
| 5. Technical Data | 12 |
| 6. Design and Function | 19 |
| 7. Installation, mounting and connection | 21 |
| 8. Operation | 23 |
| 8.1. Pump | 23 |
| 8.1.1. Preparing for Start-up | 23 |
| 8.1.2. Starting | 23 |
| 8.2. Switching Pump on and off | 25 |
| 9. Servicing | 26 |
| 9.1. Servicing Schedule | 26 |
| 9.2. Cleaning | 26 |
| 9.2.1. Flushing Pump | 26 |
| 9.2.2. Cleaning Pump | 26 |
| 9.3. Changing Diaphragm and Valve Plates/Sealings | 27 |
| 10. Troubleshooting | 31 |
| 10.1. Pump without Vacuum Controller | 31 |
| 10.2. Fault cannot be rectified | 32 |
| 11. Ordering Information | 33 |
| 11.1. Pumps and Spare Parts | 33 |
| 11.2. Head plates and intermediate plates | 33 |
| 12. Returns | 34 |
| 13. Health and safety clearance and decontamination form | 35 |

1. About this document

1.1. Using the Operating Instructions

The Operating Instructions are part of the pump.

- ➔ Carefully study the Operating Instructions before using a pump.
- ➔ Always keep the Operating Instructions handy in the work area.
- ➔ Pass on the Operating Instructions to the next owner.

Project pumps

Customer-specific project pumps (pump models which begin with “PJ” or “PM”) may differ from the Operating Instructions.

For project pumps, also observe the agreed upon specifications.

1.2. Symbols and Markings

Warning



WARNING

A danger warning is located here.

Possible consequences of a failure to observe the warning are specified here. The signal word, e.g. Warning, indicates the danger level.

- ➔ Measures for avoiding the danger and its consequences are specified here.

Danger levels

| Signal word | Meaning | Consequences if not observed |
|----------------|---|--|
| DANGER | warns of immediate danger | Death or serious injuries and/or serious damage are the consequence. |
| WARNING | warns of possible danger | Death or serious injuries and/or serious damage are possible. |
| CAUTION | warns of a possibly dangerous situation | Minor injuries or damage are possible. |

Tab. 1

Other information and symbols

- ➔ An activity to be carried out (a step) is specified here.
- 1. The first step of an activity to be carried out is specified here. Additional, consecutively numbered steps follow.



This symbol refers to important information.

2. Use

2.1. Proper Use

The pump is exclusively intended for transferring gases and vapors.

Owner's responsibility

Operating parameters and conditions

Only install and operate the pump under the operating parameters and conditions described in chapter 5, Technical data.

Make sure that the installation location is dry and the pump is protected against rain, splash, hose and drip water.

The pump is suitable for transferring explosive atmospheres in explosion group IIB+H2.

The pump must not be operated in potentially explosive areas. The Ex marking applies only to the working chamber (area in contact with medium).

Requirements for transferred medium

Before using a medium, check the compatibility of the materials of the pump head, diaphragm and valves with the medium.

Before using a medium, check whether the medium can be transferred danger-free in the specific application case.

Ensure that the system is not subject to any risks of explosion, also in extreme operating situations (temperature, pressure) or in case of malfunctions.

Only transfer gases which remain stable under the pressures and temperatures occurring in the pump.

Accessories

Laboratory equipment or additional components connected to a pump have to be suitable for use with the pneumatic capabilities of the pump (see chapter 5, page 12).

2.2. Improper Use

The pump may not be operated in an explosive atmosphere.

The pump is not suitable for use underground.

The pump is not suitable for use in potentially explosive areas.

The pump is not suitable for transferring dusts.

The pump is not suitable for transferring liquids.

The pump must not be used to create vacuum and overpressure simultaneously.


An overpressure must not be applied to the suction side of the pump.

The pump must not be used if the gas ballast could result in the reaction of reactive, explosive or otherwise hazardous mixtures (e.g. with the medium).

2.3. Use to transfer explosive atmospheres

To transfer explosive atmospheres, use only pumps in the corresponding device category and temperature class.

These pumps have the following explosion protection marking:

| Marking | Description |
|---|---|
|  | Symbol for explosion-proof pumps |
| II | Device group (see Section 2.4.1). |
| 2 G | Device category (see Section 2.4.2). |
| IIB+ H2 | Explosion groups (see Section 2.4) |
| T3 | Temperature class (see Section 2.4.4) |
| X internal atmosphere only | Special conditions (see Section 2.4.5). |

Tab. 2

The explosion protection marking can also be found at the following location:

- Type plate of the pump

2.4. Explanations of the explosion protection marking

2.4.1. Device groups

- Device group I Device group I applies to devices used in the underground and above-ground operations of mines where there is a risk of methane and/or flammable dusts.
- Device group II Device group II applies to devices used in other areas where there is a risk of explosive atmospheres.

2.4.2. Device categories for gas

The device category describes the frequency and duration of the occurrence of an explosive atmosphere in the operations.

| Device category | Description* |
|-----------------|--|
| 1 G | Devices for areas in which it is expected that dangerous, explosive atmospheres (gases and vapors) occur constantly, over long periods, or frequently. |
| 1 D | Devices for areas in which it is expected that dangerous, explosive atmospheres (dusts) occur constantly, over long periods, or frequently. |
| 2 G | Devices for areas in which it is expected that dangerous, explosive atmospheres (gases and vapors) occur occasionally. |
| 2 D | Devices for areas in which it is expected that dangerous, explosive atmospheres (dusts) occur occasionally. |
| 3 G | Devices for areas in which it is not expected that dangerous, explosive atmospheres (gases and vapors) will occur. If, however, they do occur, then only rarely and for short periods. |
| 3 D | Devices for areas in which it is not expected that dangerous, explosive atmospheres (dusts) will occur. If, however, they do occur, then only rarely and for short periods. |

Tab. 3

* according to DIN EN 13463-1

2.4.3. Explosion groups

Flammable gases and vapors are classified according to explosion groups (I, IIA, IIB, and IIC) and temperature classes. Tab. 4 shows the classification of the most common flammable gases and vapors.

| | T1 | T2 | T3 | T4 | T5 | T6 |
|-----|---|--|--|---------------|----|------------------|
| I | Methane | – | – | – | – | – |
| IIA | Acetone Ethane Ethyl acetate Ammonia Ethyl chloride Benzene Acetic acid Carbon monoxide Methane Methanol Methyl chloride Naphthalene Phenol Propane Toluene | i-Amyl acetate n-Butane n-Butanol Cyclohexanone 1,2-dichloroethane Acetic anhydride | Gasoline Diesel fuel Jet fuel Fuel oils n-Hexane | Acetaldehyde | – | – |
| IIB | Town gas | Ethylene Ethyl alcohol | Hydrogen sulfide | Diethyl ether | – | – |
| IIC | Hydrogen | Acetylene | – | – | – | Carbon disulfide |

Tab. 4

The classification of gases and vapors into explosion groups and temperature classes applies to the transferred medium.

| | |
|--------------------|---|
| Transferred medium | The pump may be used only to transfer gases and vapors in explosion groups IIA or IIB+ H ₂ and temperature class T3 (and lower) (marked area in Tab. 4) or that are not flammable. |
| Pump environment | The pump must not be installed in potentially explosive areas. It is suitable only to transfer explosive atmospheres. |

2.4.4. Temperature classes

| | |
|-----------------------------|--|
| Maximum surface temperature | The maximum surface temperature is the highest temperature that the surface of a pump reaches under the least favorable conditions. |
| Ignition temperature | The maximum surface temperature of the pump must always be lower than the lowest ignition temperature of the gas or vapor/air mixture in which it is used. |
| Temperature class | The maximum surface temperature is based on the design of the pump and is specified as temperature class. |

| Temperature class | Max. surface temperature [°C] | Ignition temperature [°C] |
|-------------------|-------------------------------|---------------------------|
| T1 | 450 | > 450 |
| T2 | 300 | > 300 |
| T3 | 200 | > 200 |
| T4 | 135 | > 135 |
| T5 | 100 | > 100 |
| T6 | 85 | > 85 |

Tab. 5

2.4.5. Additional conditions

| Marking | Description |
|----------------------------|-------------------------------|
| X internal atmosphere only | Special additional conditions |

Tab. 6

Additional conditions for the diaphragm pump:

- The pump must not be installed outdoors. It may be started up only with suitable weatherproof and corrosion protection cladding.
- The pump must not be installed in potentially explosive areas. It is suitable only to transfer explosive atmospheres.
- The pump must be installed so that it cannot be damaged externally.

3. Information about EX marking

This KNF pump, type:

- N 810FT.18 N 810.3FT.18 N 810.3FT.18G
- N 820FT.18 N 820.3FT.18 N 820.3FT.18G
- N 840FT.18 N 840.3FT.18 N 840.3FT.18G
- N 840.1.2FT.18

has the following device marking according to the latest explosion prevention and protection directive. The marking applies only to the working chamber of the pump (area in contact with medium).

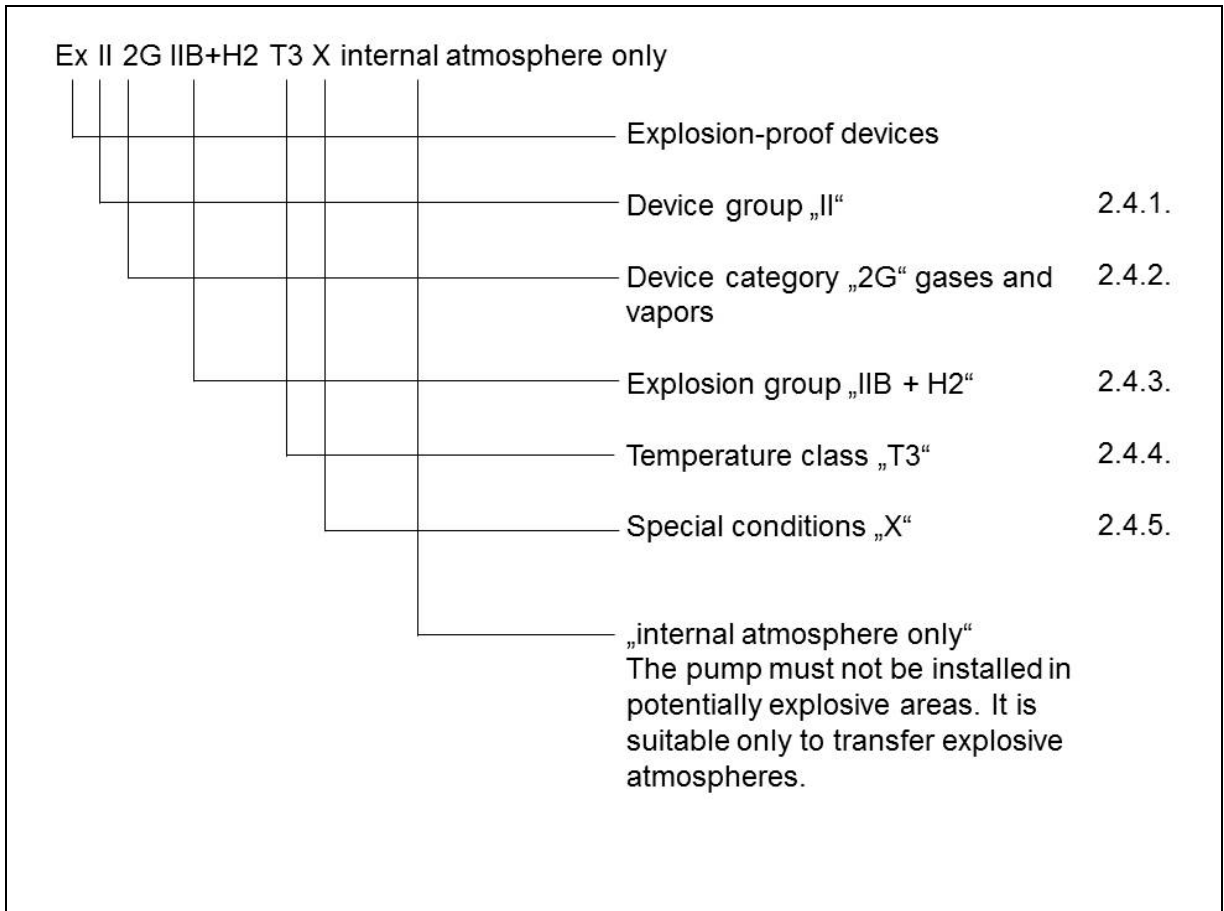


Fig. 1: EX marking of the pumps

Vacuum pumps in category 2G are designed to transfer gases, vapors, or aerosols where it is expected that an explosive atmosphere will form occasionally.

The devices must be installed so that they cannot suffer external mechanical damage.

The pumps must not be modified. If a wearing part is replaced, the original function of the pump must be checked by reaching the specified ultimate vacuum (see Operating Instructions, Servicing).

4. Safety

i Note the safety precautions in chapters 7. *Installation, mounting and connection*, and 8. *Operation*.

The pump is built according to the generally recognized rules of technology and in accordance with the occupational safety and accident prevention regulations. Nevertheless, dangers can result during their use which lead to injuries to the user or others, or to damage to the pump or other property.

Only use the pump when it is in a good technical and proper working order, in accordance with its intended use, observing the safety advice within the operating instructions, at all times.

Personnel Make sure that only trained and instructed personnel or specially trained personnel work on the pump. This especially applies to assembly, connection and servicing work.

Make sure that the personnel has read and understood the operating instructions, and in particular the "Safety" chapter.

Working in a safety-conscious manner

Observe the accident prevention and safety regulations when performing any work on the pump and during operation.

Do not expose any part of your body to the vacuum.

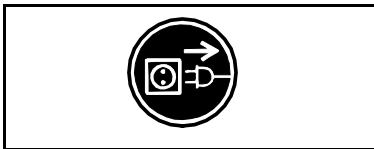


Fig. 2: Notice sticker

Open housing parts with notice sticker (see Fig. 2) only after separating mains plug from power source.

Handling dangerous media

When transferring dangerous media, observe the safety regulations when handling these media.

Handling flammable media and explosive atmospheres

Remember that the pump is suitable only for transferring explosive atmospheres and may not be installed in potentially explosive areas.

Make sure the temperature of the medium is always sufficiently below the ignition temperature of the medium, to avoid ignition or explosion. This also applies for unusual operational situations.

Note that the temperature of the medium increases when the pump compresses the medium.

Hence, make sure the temperature of the medium is sufficiently below the ignition temperature of the medium, even when it is compressed to the maximum permissible operating pressure of the pump. The maximum permissible operating pressure of the pump is stated in the technical specifications (see chapter 5, page 12).

If necessary, consider any external sources of energy, such as radiation, that may add heat to the medium.

In case of doubt, consult the KNF customer service.

Environmental protection

Store all replacement parts in a protected manner and dispose of them properly in accordance with the applicable environmental protection regulations. Observe the respective national and international regulations. This especially applies to parts contaminated with toxic substances.

| | |
|------------------------------|---|
| EC/EU directives/standards | <p>The part of the pump that comes into contact with medium corresponds to Directive 2014/34/EU (ATEX).</p> <p>The pumps conform to the Directive 2011/65/EU (RoHS2).</p> <p>The pumps conform to the safety regulations of the Directive 2014/30/EU concerning Electromagnetic Compatibility and the Directive 2006/42/EC concerning Machinery. The requirements of the following harmonised standards are fulfilled:</p> <ul style="list-style-type: none">▪ DIN EN 61010-1▪ DIN EN 61326-1 – class A▪ DIN EN 50581 <p>The part of the pump that comes into contact with medium is fulfilled by the following harmonized standards:</p> <ul style="list-style-type: none">▪ DIN EN 13463-1▪ DIN EN 1127-1 <p>The pumps correspond to IEC 664:</p> <ul style="list-style-type: none">▪ the overvoltage category II▪ the pollution degree 2 |
| Customer service and repairs | <p>Only have repairs to the pump carried out by the KNF Customer Service responsible.</p> <p>Only authorized personnel should open those parts of the housing that contain live electrical parts.</p> <p>Use only genuine parts from KNF for servicing work.</p> |

5. Technical Data

i All pumps are secured against overheating with thermal switches and are equipped with a mains fuse.

| <i>Pump materials (for all pump types)</i> | |
|--|-------------|
| Pump head | PTFE |
| Diaphragm | PTFE coated |
| Valve | FFPM |
| Connections | PVDF/PTFE |
| Hose connectors | PVDF |
| Gas ballast only N 8_0.3FT.18G | PVDF |

Tab. 7

i Refer to the type plate for the pump's electrical configuration.

N 810 FT.18

| <i>Pneumatic performance</i> | | | |
|---|---|----------|----------|
| Max. permissible operating pressure [bar g] | 1.0 | | |
| Ultimate vacuum [mbar abs.] | ≤ 100 | | |
| Delivery rate at atm. pressure [l/min]* | max. 10 | | |
| <i>Pneumatic connection</i> | | | |
| Hose connection [mm] | ID 10 | | |
| <i>Ambient and media temperature</i> | | | |
| Permissible ambient temperature | + 5 °C to + 40 °C | | |
| Permissible media temperature | + 5 °C to + 40 °C | | |
| <i>Other parameters</i> | | | |
| Weight [kg] | 5.9 | | |
| Dimensions: L x H x W [mm] | 256 x 187 x 146 | | |
| Maximum permissible ambient relative humidity | 80 % for temperatures up to 31 °C, decreasing linearly to 50 % at 40 °C | | |
| Maximum altitude of site [m above sea level] | 2000 | | |
| <i>Electrical Data</i> | | | |
| Voltage [V] | 100 | 115 | 230 |
| Frequency [Hz] | 50/60 | 60 | 50 |
| Maximum current consumption [A] | 1.4 | 1.3 | 0.6 |
| Power consumption pump [W] | 110 | 110 | 100 |
| Maximum permitted mains voltage fluctuation | +/- 10 % | +/- 10 % | +/- 10 % |
| Fuse pump (2x) T [A] | 2.5 | 2.5 | 1.25 |
| Protection class motor | IP44 | | |

Tab. 8

* Liters in standard state (1,013 mbar)

N 820 FT.18

| <i>Pneumatic performance</i> | | | |
|---|---|----------|----------|
| Max. permissible operating pressure [bar g] | 1.0 | | |
| Ultimate vacuum [mbar abs.] | ≤ 100 | | |
| Delivery rate at atm. pressure [l/min]* | max. 20 | | |
| <i>Pneumatic connection</i> | | | |
| Hose connection [mm] | ID 10 | | |
| <i>Ambient and media temperature</i> | | | |
| Permissible ambient temperature | + 5 °C to + 40 °C | | |
| Permissible media temperature | + 5 °C to + 40 °C | | |
| <i>Other parameters</i> | | | |
| Weight [kg] | 7.1 | | |
| Dimensions: L x H x W [mm] | 268 x 207 x 159 | | |
| Maximum permissible ambient relative humidity | 80 % for temperatures up to 31 °C, decreasing linearly to 50 % at 40 °C | | |
| Maximum altitude of site [m above sea level] | 2000 | | |
| <i>Electrical Data</i> | | | |
| Voltage [V] | 100 | 115 | 230 |
| Frequency [Hz] | 50/60 | 60 | 50 |
| Maximum current consumption [A] | 2.2 | 1.9 | 0.9 |
| Power consumption pump [W] | 145 | 145 | 130 |
| Maximum permitted mains voltage fluctuation | +/- 10 % | +/- 10 % | +/- 10 % |
| Fuse pump (2x) T [A] | 4.0 | 3.15 | 2.0 |
| Protection class motor | IP44 | | |

Tab. 9

* Liters in standard state (1,013 mbar)

N 840 FT.18

| <i>Pneumatic performance</i> | | | |
|---|---|----------|----------|
| Max. permissible operating pressure [bar g] | 1.0 | | |
| Ultimate vacuum [mbar abs.] | ≤ 100 | | |
| Delivery rate at atm. pressure [l/min]* | max. 34 | | |
| <i>Pneumatic connection</i> | | | |
| Hose connection [mm] | ID 10 | | |
| <i>Ambient and media temperature</i> | | | |
| Permissible ambient temperature | + 5 °C to + 40 °C | | |
| Permissible media temperature | + 5 °C to + 40 °C | | |
| <i>Other parameters</i> | | | |
| Weight [kg] | 10.3 | | |
| Dimensions: L x H x W [mm] | 297x 226 x 171 | | |
| Maximum permissible ambient relative humidity | 80 % for temperatures up to 31 °C, decreasing linearly to 50 % at 40 °C | | |
| Maximum altitude of site [m above sea level] | 2000 | | |
| <i>Electrical Data</i> | | | |
| Voltage [V] | 100 | 115 | 230 |
| Frequency [Hz] | 50/60 | 60 | 50 |
| Maximum current consumption [A] | 4.4 | 3.2 | 1.5 |
| Power consumption pump [W] | 200 | 220 | 180 |
| Maximum permitted mains voltage fluctuation | +/- 10 % | +/- 10 % | +/- 10 % |
| Fuse pump (2x) T [A] | 6.3 | 6.3 | 3.15 |
| Protection class motor | IP44 | | |

Tab. 10

* Liters in standard state (1,013 mbar)N 810.3 FT.18

N 810.3 FT.18**N 810.3FT.18G**

| <i>Pneumatic performance</i> | | | |
|---|---|----------|----------|
| Max. permissible operating pressure [bar g] | 1.0 | | |
| Ultimate vacuum [mbar abs.] | ≤ 8 (gas ballast closed) ≤ 30 (gas ballast open) | | |
| Delivery rate at atm. pressure [l/min]* | max. 10 | | |
| <i>Pneumatic connection</i> | | | |
| Hose connection [mm] | ID 10 | | |
| <i>Ambient and media temperature</i> | | | |
| Permissible ambient temperature | + 5 °C to + 40 °C | | |
| Permissible media temperature | + 5 °C to + 40 °C | | |
| <i>Other parameters</i> | | | |
| Weight [kg] | 6.9 | | |
| Dimensions: L x H x W [mm] | 281 x 187 x140 | | |
| Maximum permissible ambient relative humidity | 80 % for temperatures up to 31 °C, decreasing linearly to 50 % at 40 °C | | |
| Maximum altitude of site [m above sea level] | 2000 | | |
| <i>Electrical Data</i> | | | |
| Voltage [V] | 100 | 115 | 230 |
| Frequency [Hz] | 50/60 | 60 | 50 |
| Maximum current consumption [A] | 1.4 | 1.3 | 0.6 |
| Power consumption pump [W] | 100 | 110 | 90 |
| Maximum permitted mains voltage fluctuation | +/- 10 % | +/- 10 % | +/- 10 % |
| Fuse pump (2x) T [A] | 2.5 | 2.5 | 1.25 |
| Protection class motor | IP44 | | |

Tab. 11

*Liters in standard state (1,013 mbar)

N 820.3 FT.18

N 820.3FT.18G

| <i>Pneumatic performance</i> | | | |
|---|---|----------|----------|
| Max. permissible operating pressure [bar g] | 1.0 | | |
| Ultimate vacuum [mbar abs.] | ≤ 8 (gas ballast closed) ≤ 15 (gas ballast open) | | |
| Delivery rate at atm. pressure [l/min]* | max. 20 | | |
| <i>Pneumatic connection</i> | | | |
| Hose connection [mm] | ID 10 | | |
| <i>Ambient and media temperature</i> | | | |
| Permissible ambient temperature | + 5 °C to + 40 °C | | |
| Permissible media temperature | + 5 °C to + 40 °C | | |
| <i>Other parameters</i> | | | |
| Weight [kg] | 9.3 | | |
| Dimensions: L x H x W [mm] | 312 x 207 x 144 | | |
| Maximum permissible ambient relative humidity | 80 % for temperatures up to 31 °C, decreasing linearly to 50 % at 40 °C | | |
| Maximum altitude of site [m above sea level] | 2000 | | |
| <i>Electrical Data</i> | | | |
| Voltage [V] | 100 | 115 | 230 |
| Frequency [Hz] | 50/60 | 60 | 50 |
| Maximum current consumption [A] | 1.8 | 1.2 | 0.7 |
| Power consumption pump [W] | 130 | 130 | 120 |
| Maximum permitted mains voltage fluctuation | +/- 10 % | +/- 10 % | +/- 10 % |
| Fuse pump (2x) T [A] | 3.15 | 2.5 | 1.6 |
| Protection class motor | IP44 | | |

Tab. 12

*Liters in standard state (1,013 mbar)

N 840.3 FT.18**N 840.3FT.18G**

| <i>Pneumatic performance</i> | | | |
|---|---|----------|----------|
| Max. permissible operating pressure [bar g] | 1.0 | | |
| Ultimate vacuum [mbar abs.] | ≤ 8 (gas ballast closed) ≤ 12 (gas ballast open) | | |
| Delivery rate at atm. pressure [l/min]* | max. 34 | | |
| <i>Pneumatic connection</i> | | | |
| Hose connection [mm] | ID 10 | | |
| <i>Ambient and media temperature</i> | | | |
| Permissible ambient temperature | + 5 °C to + 40 °C | | |
| Permissible media temperature | + 5 °C to + 40 °C | | |
| <i>Other parameters</i> | | | |
| Weight [kg] | 12.6 | | |
| Dimensions: L x H x W [mm] | 341 x 226 x 166 | | |
| Maximum permissible ambient relative humidity | 80 % for temperatures up to 31 °C, decreasing linearly to 50 % at 40 °C | | |
| Maximum altitude of site [m above sea level] | 2000 | | |
| <i>Electrical Data</i> | | | |
| Voltage [V] | 100 | 115 | 230 |
| Frequency [Hz] | 50/60 | 60 | 50 |
| Maximum current consumption [A] | 4.4 | 3.2 | 1.5 |
| Power consumption pump [W] | 220 | 250 | 245 |
| Maximum permitted mains voltage fluctuation | +/- 10 % | +/- 10 % | +/- 10 % |
| Fuse pump (2x) T [A] | 6.3 | 6.3 | 3.15 |
| Protection class motor | IP44 | | |

Tab. 13

*Liters in standard state (1,013 mbar)

N 840.1.2 FT.18

| <i>Pneumatic performance</i> | | | |
|---|---|----------|----------|
| Max. permissible operating pressure [bar g] | 1.0 | | |
| Ultimate vacuum [mbar abs.] | ≤ 90 | | |
| Delivery rate at atm. pressure [l/min]* | max. 60 | | |
| <i>Pneumatic connection</i> | | | |
| Hose connection [mm] | ID 10 | | |
| <i>Ambient and media temperature</i> | | | |
| Permissible ambient temperature | + 5 °C to + 40 °C | | |
| Permissible media temperature | + 5 °C to + 40 °C | | |
| <i>Other parameters</i> | | | |
| Weight [kg] | 12.6 | | |
| Dimensions: L x H x W [mm] | 341 x 226 x 160 | | |
| Maximum permissible ambient relative humidity | 80 % for temperatures up to 31 °C, decreasing linearly to 50 % at 40 °C | | |
| Maximum altitude of site [m above sea level] | 2000 | | |
| <i>Electrical Data</i> | | | |
| Voltage [V] | 100 | 115 | 230 |
| Frequency [Hz] | 50/60 | 60 | 50 |
| Maximum current consumption [A] | 5.1 | 4.2 | 1.9 |
| Power consumption pump [W] | 275 | 280 | 270 |
| Maximum permitted mains voltage fluctuation | +/- 10 % | +/- 10 % | +/- 10 % |
| Fuse pump (2x) T [A] | 6.3 | 6.3 | 3.15 |
| Protection class motor | IP44 | | |

Tab. 14

*Liters in standard state (1,013 mbar)

6. Design and Function

6.1. Pump

Design

- 1 Connection piece
- 2 Pneumatic connection
- 3 Pump head
- 4 Outlet (pressure side)
- 5 Power switch
- 6 Inlet (suction side)
- 7 Gas ballast
(only N 8_0.3FT.18G)

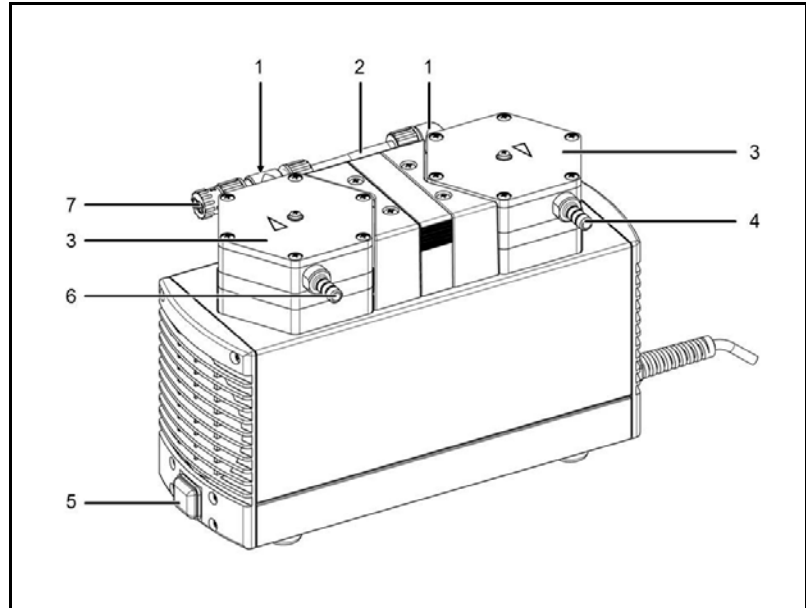


Fig. 3: Diaphragm pump (shown: pump N 840.3 FT.18G)

Function Diaphragm pump

- 1 Outlet valve
- 2 Inlet valve
- 3 Transfer chamber
- 4 Diaphragm
- 5 Eccentric
- 6 Connecting rod
- 7 Pump drive

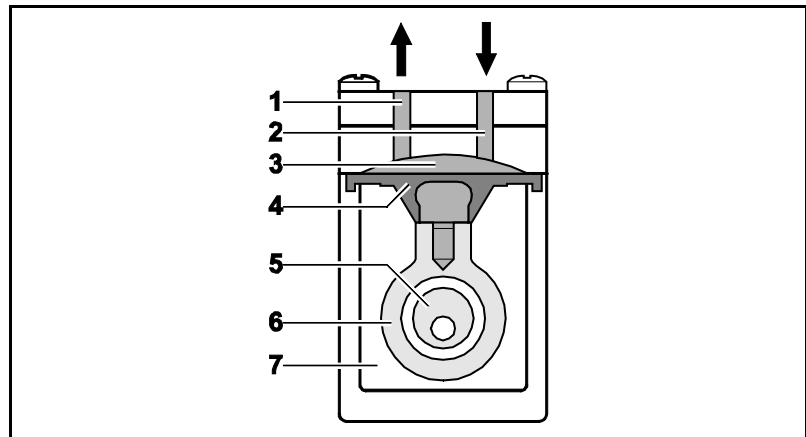


Fig. 4: Pump head

Diaphragm pumps transfer, compress (depending on pump version) and evacuate gases and vapors.

The elastic diaphragm (4) is moved up and down by the eccentric (5) and the connecting rod (6). In the downward stroke it aspirates the gas to be transferred via the inlet valve (2). In the upward stroke, the diaphragm presses the medium out of the pump head via the outlet valve (1). The transfer chamber (3) is hermetically separated from the pump drive (7) by the diaphragm.

6.2. Gas ballast (only N 8_0.3FT.18G)

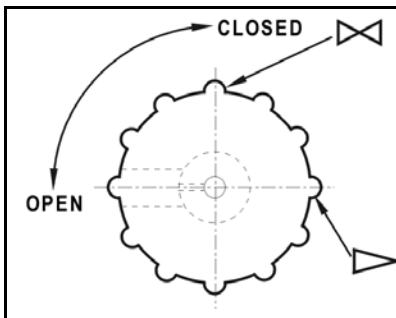


Fig. 5: Gas ballast operating knob



DANGER

Personal injury caused by poisoning or explosion and damage to the pump.

- Make sure that no reactive or explosive mixtures will be produced when gas ballast valve is open.
- If necessary: close gas ballast valve.
- Please contact KNF Service if you require an inert gas.

- i** When pumping vaporous media, opening the gas ballast valve can minimize the formation of condensation in the pump heads.
- i** Opening the gas ballast valve deteriorates ultimate vacuum performance.

7. Installation, mounting and connection

Only install and operate the pumps under the operating parameters and conditions described in chapter 5, Technical data.

Observe the safety precautions (see chapter 3, page 9).

- Before installation, store the pump/the accessories at the installation location to bring it up to room temperature.
- Dimensions → See chapter 5, Technical data, for the dimensions of pumps.
- Cooling air supply → Install the pump so that the motor fan can intake sufficient cooling air.
- Installation location → Make sure that the installation location is dry and the pump is protected against rain, splash, hose and drip water.
- Choose a safe location (flat surface) for the pump.
- Protect the pump from dust.
- Protect the pump from vibrations, jolts and external damage.

7.1. Connect pump

- Connected components → Only connect components to the pump which are designed for the pneumatic data of the pump (see chapter 5, page 12).
 - Pump exhaust → If the pump is used as a vacuum pump, safely discharge the pump exhaust at the pump's pneumatic outlet.
- i** A marking on the pump head shows the direction of flow.
1. Remove the protective plugs from the pneumatic connectors of the pump.
 2. Connect the suction line and pressure line.
 3. Lay the suction and pressure line at a downward angle to prevent condensate from running into the pump.
 4. Insert the power cable's plug into a properly installed shockproof socket.

7.2. Mounting Gas ballast (optional)

i Only for two-headed pumps.
Pumps with a „G“ in the type designation are already equipped with a gas ballast as standard.

- Condition
- Pump disconnected from mains and de-energized.

Mounting

1. Disconnect the tubes in the inlet (Fig. 3/6) and the outlet (4) of the pump.
2. Open the connection (2) of the pump heads.
3. Screw out the connecting piece (1) of the vacuum side head.
4. Screw the gas ballast into the pump head.
5. Remount the connection (2) between the both pump heads.

If necessary:

Connect inert gas supply to ventilation connection. Observe the safety instructions in Chapter 4. Please contact KNF Service if you require an inert connection for the gas ballast.

8. Operation

8.1. Pump

8.1.1. Preparing for Start-up

Before switching on the pump, observe the following points:

| | Operational requirements |
|------|--|
| Pump | <ul style="list-style-type: none"> ▪ All hoses attached properly |
| Pump | <ul style="list-style-type: none"> ▪ Fan openings not blocked ▪ Specifications of the power supply correspond with the data on the pump's/the electrical supply unit's type plate. ▪ The pump outlet is not closed or constricted. ▪ When using a gas ballast: No explosive or poisonous mixtures may be produced when ventilating the pump through the air inlet. |

Tab. 15

8.1.2. Starting

- Only operate the pump under the operating parameters and conditions described in chapter 5, Technical data.
- Make sure the pumps are used properly (see chapter 2.1, page 4).
- Make sure the pumps are not used improperly (see chapter 2.2, page 4).
- Observe the safety precautions (see chapter 4, page 10).



WARNING

Hazard of the pump head bursting due to excessive pressure increase

- Do not exceed max. permissible operating pressure (see chapter 5, page 12).
- Monitor pressure during operation.
- If the pressure exceeds the maximum permissible operating pressure, immediately shut down pump and eliminate fault (see chapter 10, page 31).
- Only throttle or regulate the air or gas quantity in the suction line to prevent the maximum permissible operating pressure from being exceeded.
- If the air or gas quantity in the pressure line is throttled or regulated, make sure that the maximum permissible operating pressure of the pump is not exceeded.

i Excessive pressure (with all of the related hazards) can be prevented by placing a bypass line with a pressure-relief valve between the pressure and suction sides of the pump. For further information, contact our technical adviser.

Pump standstill → With the pump at a standstill, open pressure and suction lines to normal atmospheric pressure.

**WARNING**

Automatic starting can cause personal injury and pump damage

When the operation of the pump is interrupted by the thermal switch, the pump will restart automatically after cooling down.

- After triggering of the thermal protection or in the event of power failure, remove the pump's mains plug from the socket so that the pump cannot start uncontrollably.
 - Attempt work on the pump only if the pump is separated from mains power.
-

8.2. Switching Pump on and off

Switching pump on

- i** The pump may not start up against overpressure during switch-on. This also applies in operation following a brief power failure. If a pump starts against pressure, it may block. This activates the thermal switch, and the pump switches off.
- Make sure that no pressure is present in the lines during switch-on.
- Switch on pump with mains switch (see Fig. 3/5)

Switching off the pump/removing from operation

- When transferring aggressive media, flush the pump prior to switch-off to increase the service life of the diaphragm (see chapter 9.2.1, page 26).
- Switch off pump with mains switch (see Fig. 3/5).
- Open pressure and suction lines to normal atmospheric pressure.
- Disconnect the power source.

9. Servicing

9.1. Servicing Schedule



Risk of explosion resulting from the formation of an explosive atmosphere

WARNING

Leaking connections can cause dangerous, explosive atmospheres.

- Ensure that diaphragms, valve plates/seals are not damaged and are clean and correctly installed.
- Check pneumatic connections on the pump for leaks.
- Take care during servicing work.
- Immediately replace defective parts.

| Component | Servicing interval |
|-------------------------------------|---|
| Pump | Regular inspection for external damage or leaks |
| Diaphragm and valve plates/sealings | Replace at the latest, when pump output decreases |

Tab. 16

9.2. Cleaning

i When cleaning, make sure that no liquids enter the inside of the housing.

9.2.1. Flushing Pump



Risk of explosion when flushing the pump with air

WARNING

- If the pump is used with potentially explosive media, have the pump flushed with an inert gas only by an expert.



Avoid damage to the pump and personal injury caused by poisoning or explosion

WARNING

- When flushing the pump with inert gas, make sure that the gas ballast valve is closed so no reactive or explosive mixtures can form.

- Before switching off the pump, flush it with air (if necessary for safety reasons: with an inert gas) for about five minutes under atmospheric conditions (ambient pressure).

9.2.2. Cleaning Pump

- Only clean pump with a damp cloth and non-flammable cleaning agents.
- If compressed air is available, blow out the components.

9.3. Changing Diaphragm and Valve Plates/Sealings

- Conditions
- Pump is switched off and mains plug is removed from the socket
 - Pump is clean and free of hazardous materials
 - Tubes removed from pump's pneumatic inlet and outlet

Tools and material

| Qty | Material |
|-----|---|
| 1 | Phillips-head screwdriver No. 2 |
| 1 | Service Set (see chapter 11.1, page 33) |
| 1 | Felt-tip pen |

Tab. 17

Information on procedure

- ➔ Always replace diaphragm and valve plates/sealings together to maintain the pump performance.

With multi-head pumps, parts of the individual pump heads can be confused.

- ➔ Replace the diaphragm and valve plates/sealings of the individual pump heads consecutively.



WARNING

Health hazard due to dangerous substances in the pump!

Depending on the substance transferred, caustic burns or poisoning are possible.

- ➔ Wear protective clothing if necessary, e.g. protective gloves.
- ➔ Flush pump before replacing the diaphragm and valve plates/sealings (see chapter 9.2.1, page 26).

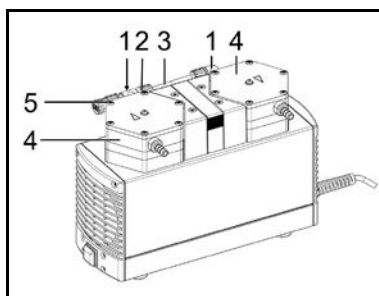


Fig. 6: Removing pump head

Removing pump head

1. For two-headed pumps: On the pneumatic head connection (3), loosen the union nuts (2) by hand. Then slightly loosen the angle-fitting (1) in the pump head (4) by turning it anticlockwise, so that the connecting tube can be pulled out.
2. Mark the position of top plate (Fig. 9/5), head plate (Fig. 9/6), intermediate plate (Fig. 9/8) and adapter relatively to each other by a drawing line (for two-headed pumps: at both pump heads) with a felt-tip pen (1). This helps to avoid incorrect assembly later.
3. Loosen the outer screws (5) on the pump head/pump heads.
4. Carefully remove pump head / pump heads.

Change diaphragm

i Replace the diaphragms of two-headed pumps consecutively in order to ensure that the same number of diaphragm spacers is used as before.

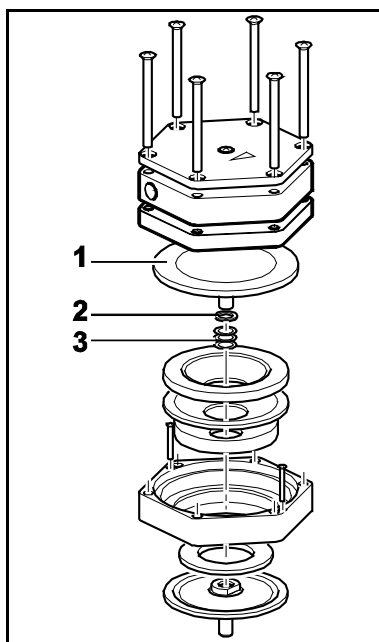


Fig. 7: Changing structured diaphragm

1. For two-headed pumps: Push down one diaphragm until other diaphragm is pushed upwards to its highest position.
2. Carefully unscrew the upper diaphragm (1) anti-clockwise using both hands.
3. Replace spacer thick (2) and spacers thin (3) onto the screw thread of the new diaphragm (same number and order).
4. Screw in the new diaphragm and tighten it by hand.
5. With a two-headed pump: Complete steps 1 through 4 for the second pump head.

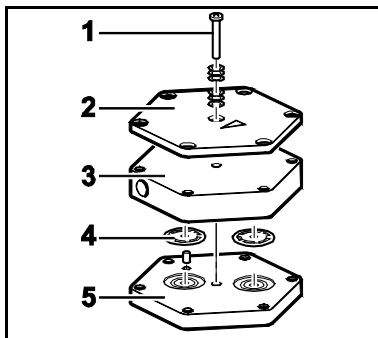


Fig. 8: Changing valve plates/sealings

Change valve plates/sealings

i Replacing the valve plates/sealings of two-headed pumps consecutively.

1. Loosen screw(s) (1) in the center of the top plate (2). With a two-headed pump: loosen the screw(s) from just one pump head.
2. Remove top plate (2) and head plate (3) from intermediate plate (5).
Valve plates/sealings are visible.
3. Remove old valve plate/sealings.
4. Clean intermediate plate (5) carefully (if there should be deposits in the recesses in the intermediate plate).
5. Insert new valve plates/sealings (4) in the recesses in the intermediate plate (5).
6. For two-headed pumps: Carry out the steps 1 to 5 for the second pump head.
7. Dispose of the old diaphragm(s) and valve plates/sealings properly.

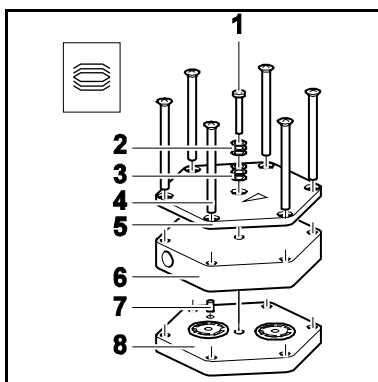


Fig. 9: Refitting pump head

Refitting pump head

1. Apply pressure all around the edge of the diaphragm. With a two-headed pump: Apply pressure to diaphragm on only one pump.
2. Place the intermediate plate (8) with valve plates/sealings on the adapter in accordance with the felt-tip pen marking.
3. Place the head plate (6) on the intermediate plate (8) in the position indicated by the guide pin (7).
4. Place the top plate (5) on the head plate (6) in accordance with the felt-tip pen marking.
5. Gently tighten screws (4) in diagonal order.
6. Insert screw(s) (1) with disk springs (2, 3) in the center of the top plate (5). In doing so, make sure that the disk springs are arranged properly (see Fig. 9).
7. Screw in the screw/screws (1) in the centre of the pump top plate (5) until it is flush with the top plate (they are flush with the top plate); then screw one final half turn to tighten.
8. For two-headed pumps: Carry out steps 1 to 7 for the second pump head.
9. For two-headed pumps: Refit the pneumatic head connection: Place tube onto the connecting part of the angle fitting, turn angle fitting to a straight position and tighten the union nut.

Final steps

**WARNING**

Risk of explosion from leaks

→ Before restarting the pump, check the pump head (twin-head pumps: pump heads) and pneumatic connections for leaks. Leaks may cause an explosion.

1. Functional check

- Reconnect suction and pressure line to the pump.
- Reconnect the pump to the electricity supply.
- Check the functions of the pump (including ultimate vacuum)
- Disconnect electrical and pneumatic connections from the pump again

2. Integrate the pump in the application

- Reconnect suction and pressure line to the pump.
- Reconnect the pump to the electricity supply.
- Check the functions of the pump

10. Troubleshooting



Extreme danger from electrical shock!

→ Disconnect the pump power supply before working on the pump.

DANGER

→ Make sure the pump is de-energized and secure.

→ Check the pump (see Tab. 18 to 21).

10.1. Pump without Vacuum Controller

| Pump does not transfer | |
|--|---|
| Cause | Fault remedy |
| No voltage in the power source | → Check room fuse and switch on if necessary. |
| Thermal switch has operated following to over-heating. | → Disconnect pump from mains. → Allow pump to cool. → Trace cause of over-heating and eliminate it. |
| Connections or lines blocked. | → Check connections and lines. → Remove blockage. |
| External valve is closed or filter is clogged. | → Check external valves and filters. |
| Condensate has collected in pump head. | → Detach the condensate source from the pump. → Flush pump (see chapter 9.2.1, page 26). |
| Diaphragm or valve plates/sealings are worn. | → Replace diaphragm and valve plates/sealings (see chapter 9.3, page 27). |

Tab. 18

| Flow rate, pressure or vacuum too low | |
|--|---|
| The pump does not achieve the output specified in the Technical data or the data sheet. | |
| Cause | Fault remedy |
| Condensate has collected in pump head. | → Detach the condensate source from the pump. → Flush pump (see chapter 9.2.1, page 26). → Open gas ballast and flush pump head. |
| There is gauge pressure on pressure side and at the same time vacuum or a pressure above atmospheric pressure on suction side. | → Change the pressure conditions. |
| Pneumatic lines or connection parts have an insufficient cross section or they are throttled. | → Disconnect pump from system to determine output values. → Eliminate throttling (e.g. valve) if necessary. → Use lines or connection parts with larger cross section if necessary. |
| Leaks occur on connections, lines or pump head. | → Check that tubes sit correctly on hose nozzles. → Replace leaky tubes. → Eliminate leaks. |
| Connections or lines completely or partially jammed. | → Check connections and lines. → Remove the jamming parts and particles. |
| Head parts are soiled. | → Clean head components. |
| Diaphragm or valve plates/sealings are worn. | → Replace diaphragm and valve plates/sealings, (see chapter 9.3, page 27). |

| Flow rate, pressure or vacuum too low | |
|---|--|
| The pump does not achieve the output specified in the Technical data or the data sheet. | |
| Cause | Fault remedy |
| After diaphragm and valve plates/sealings have been replaced. | <ul style="list-style-type: none"> ➔ Check that the spacers have been replaced onto the diaphragm screw thread. ➔ Check head connection and hose connections. ➔ Possibly carefully tighten the outer screws (Fig. 6/5, page 28) of the top plate crosswise. |
| Gas ballast still open. | ➔ Close gas ballast. |

Tab. 19

| Pump is switched on, but does not run, the on/off-switch on the pump is not lit | |
|--|--|
| Cause | Fault remedy |
| Pump is not connected with the power source. | ➔ Connect pump to mains power. |
| No voltage in the power source | ➔ Check room fuse and switch on if necessary. |
| Fuse in the pump is defective. | <ul style="list-style-type: none"> ➔ Remove pump's mains plug from the socket. ➔ Loosen marked lid on underside of the pump. ➔ Select and replace suitable fuse (see chapter 5, page 12). |

Tab. 20

| Pump is switched on, but does not run, the on/off-switch on the pump is lit | |
|--|---|
| Cause | Fault remedy |
| The thermal switch has opened due to overheating. | <ul style="list-style-type: none"> ➔ Remove pump's mains plug from the socket. ➔ Allow pump to cool. ➔ Trace cause of over-heating and eliminate it. |

Tab. 21

10.2. Fault cannot be rectified

If you are unable to determine any of the specified causes, send the pump to KNF Customer Service (see last page for the address).

1. Flush the pump to free the pump head of dangerous or aggressive gases (see chapter 9.2.1, page 26).
2. Remove the pump.
3. Clean the pump (see chapter 9.2.2, page 26).
4. Send the pump, together with completed Health and Safety Clearance and Decontamination Form (Chapter 13), to KNF stating the nature of the transferred medium.

11. Ordering Information

11.1. Pumps and Spare Parts

- i** A service set contains:
- 1 diaphragm and 2 valve plates/sealings for one-headed pumps
 - 2 diaphragms and 4 valve plates/sealings for two-headed pumps

| Pump type | Order-No. pump | Order-No. Service Set |
|-----------------|----------------|-----------------------|
| N 810 FT.18 | 309574 | 058077 |
| N 820 FT.18 | 309576 | 058078 |
| N 840 FT.18 | 309578 | 058079 |
| N 810.3 FT.18 | 309575 | 057357 |
| N 820.3 FT.18 | 309577 | 057358 |
| N 840.3 FT.18 | 309579 | 057359 |
| N 840.1.2 FT.18 | 309580 | 057359 |

Tab. 22

11.2. Head plates and intermediate plates

| Pump type | Order-No. head plate | | Order-No. intermediate plate |
|-----------------|----------------------|--------|------------------------------|
| | Head 1 | Head 2 | |
| N 810 FT.18 | 304248 | - | 304245 |
| N 820 FT.18 | 304249 | - | 304246 |
| N 840 FT.18 | 304250 | - | 304247 |
| N 810.3 FT.18 | 304248 | 304251 | 304245 (2x) |
| N 820.3 FT.18 | 304249 | 304252 | 304246 (2x) |
| N 840.3 FT.18 | 304250 | 304253 | 304247 (2x) |
| N 840.1.2 FT.18 | 304250 (2x) | - | 304247 (2x) |

Tab. 23

11.3. Accessories

| Accessory | Order-No. |
|-----------------------|-----------|
| Gas ballast N 810 | 028476 |
| Gas ballast N 820/840 | 028477 |

Tab. 24

12. Returns

Pumps used in laboratories and process-based industries are exposed to a wide variety of conditions. This means that the components contacting pumped media could become contaminated by toxic, radioactive, or otherwise hazardous substances.

For this reason, customers who send any pumps back to KNF must submit a Health and safety clearance and decontamination form in order to avoid a hazardous situation for KNF employees. This Health and safety clearance and decontamination form provides the following information, among other things:

- physiological safety
- whether medium-contacting parts have been cleaned
- whether the equipment has been decontaminated
- media that have been pumped or used

To ensure worker safety, work may not be started on pumps without a signed Health and safety clearance and decontamination form.

For optimal processing of a return, a copy of this declaration should be sent in advance via e-mail, regular mail, or fax to KNF Customer Service (refer to final page for address). In order to avoid endangering employees who open the shipment's packaging, despite any residual hazards, the original version of the Health and safety clearance and decontamination form must accompany the delivery receipt on the outside of the packing.

The template for the Health and safety clearance and decontamination form is included with these Operating Instructions and may also be downloaded from the KNF website.

The customer must specify the device type(s) and serial number(s) in the Health and safety clearance and decontamination form in order to provide for the unambiguous assignment of the Declaration to the device that is sent to KNF.

In addition to the customer's declaration of physiological safety, information about operating conditions and the customer's application are also of importance to ensure that the return shipment is handled appropriately. Therefore, the Health and safety clearance and decontamination form requests this information as well.

13. Health and safety clearance and decontamination form



Form: Rev. 02 / download www.knf.com

Health and safety clearance and decontamination form

This declaration must be present and complete (the original must accompany the shipment's delivery receipt) before the returned device can be examined.

Device type:

Serial number(s):

.....

.....

Reason for returning the device (please describe in detail):

(The device(s) was(were) in operation yes no)

.....

.....

.....

.....

.....

We confirm that the above device(s)

has(have) pumped exclusively **physiologically unobjectionable** media and that it(they) are free of hazardous materials and any materials that are harmful to health.

Pumped media:

The device(s) was(were) cleaned yes no

has(have) pumped media of the following category(categories) which are not physiologically unobjectionable and that cleaning of the device(s) (potentially only media-contacting parts) is required.

Name, chemical formula, Material Safety Data Sheet

aggressive

biological

radioactive

toxic

other

The device(s) was(were) decontaminated and work can proceed without special measures yes

Method / proof:

.....

The device(s) was(were) not decontaminated and special measures are required before starting work yes

Measures:

.....

Legally binding declaration

We herewith affirm that the information provided in this form is correct and complete. Shipment of the devices and components is in compliance with statutory regulations.

.....
Company (stamp)

.....
Date

.....
Name

.....
Authorized signature

.....
Position

KNF worldwide

Please find our local KNF partners at: www.knf.com